

# Industrial Control Transformer Wiring Diagrams

The HPS series of industrial control transformers are available in many standard offerings. These wiring hook-up instructions refer to standard HPS control transformers only. *(Note: standard secondary fuse kits (not installed) supplied with C2M transformers only; field installed primary fuse block kits (PFBK10) sold separately; fuses not available from HPS.)*

If you have any questions regarding these wiring diagrams or are having any difficulty correctly installing our transformers, please contact HPS customer service or technical support in the U.S. at 1-866-705-4684 or in Canada at 1-888-798-8882.

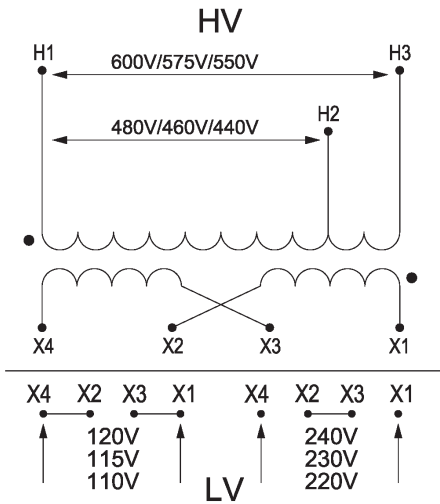
## Voltage Codes

To jump to a specific diagram drawing click on the relevant P/N Suffix within the table below.

<b>P/N Suffix</b>	<b>Primary</b>	<b>Secondary</b>
<a href="#"><u>ACP</u></a>	600/480	120 X 240
<a href="#"><u>AJ</u></a>	600	120 X 240
<a href="#"><u>AR</u></a>	600	24
<a href="#"><u>DJ</u></a>	277/208	120 X 240
<a href="#"><u>KHP</u></a>	380/347	120 X 240
<a href="#"><u>KHR</u></a>	380/347	24
<a href="#"><u>MBMH</u></a>	575/460/230	115/95
<a href="#"><u>MEI</u></a>	415/400/380	120/24
<a href="#"><u>MEMX</u></a>	415/400/380	110 X 220
<a href="#"><u>MER</u></a>	415/400/380	24
<a href="#"><u>MGJ</u></a>	380/277/208	120 X 240
<a href="#"><u>MLI</u></a>	460/230/208	115/24
<a href="#"><u>MQM</u></a>	230X460	115
<a href="#"><u>MQMJ</u></a>	240 X 480	120 X 240
<a href="#"><u>NJ</u></a>	277	120
<a href="#"><u>PP</u></a>	120 X 240	120 X 240
<a href="#"><u>PR</u></a>	120 X 240	24
<a href="#"><u>QR</u></a>	240 X 480	24
<a href="#"><u>SP</u></a>	208 X 416	120 X 240
<a href="#"><u>SR</u></a>	208 X 416	24
<a href="#"><u>TI</u></a>	347/277/240/208	120/24
<a href="#"><u>XI</u></a>	575/460/400/230	115/24
<a href="#"><u>XMH</u></a>	575/460/400/230	115/95
<a href="#"><u>YJ</u></a>	800	120 X 240
<a href="#"><u>ZJ</u></a>	690	120 X 240

\*Note this manual is Trilingual (English, French, Spanish)

## Control Transformer - Wiring Schematic Drawings



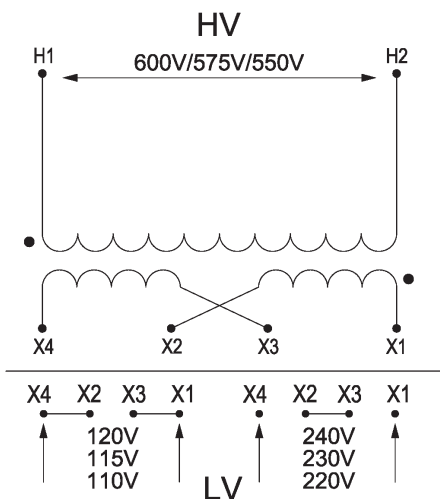
### ACP - CONNECTIONS FOR 480/600 HV TO 120X240 LV

(If 4 terminal secondary - no T2, T1 terminals. Need SFBK10 for fusing)

High Voltage (HV) (Primary Volts)	Install Supplied Jumpers/ Links Between Terminals	Supply Lines Connect To
480 460 440	NONE	H1, H2
600 575 550	NONE	H1, H3

Low Voltage (LV) (Secondary Volts)	Install Supplied Links Between Terminals	Load Lines Connect To	Install Fuse Clips To
120 115 110	X4-X2, X3-X1	X4, X1	Unfused
240 230 220	X2-X3	X4, X1	Unfused
120 115 110	X4-X2, X3-X1, T2-T1	T1, X1	T2, X4
240 230 220	X2-X3, T2-T1	T1, X1	T2, X4



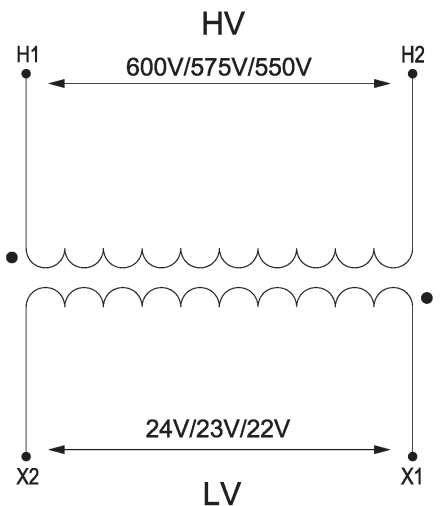
### AJ - CONNECTIONS FOR 600 HV TO 120X240 LV

(If 4 terminal secondary - no T2, T1 terminals. Need SFBK10 for fusing)

High Voltage (HV) (Primary Volts)	Install Supplied Jumpers/ Links Between Terminals	Supply Lines Connect To
600 575 550	NONE	H1, H2

Low Voltage (LV) (Secondary Volts)	Install Supplied Links Between Terminals	Load Lines Connect To	Install Fuse Clips To
120 115 110	X4-X2, X3-X1	X4, X1	Unfused
240 230 220	X2-X3	X4, X1	Unfused
120 115 110	X4-X2, X3-X1, T2-T1	T1, X1	T2, X4
240 230 220	X2-X3, T2-T1	T1, X1	T2, X4



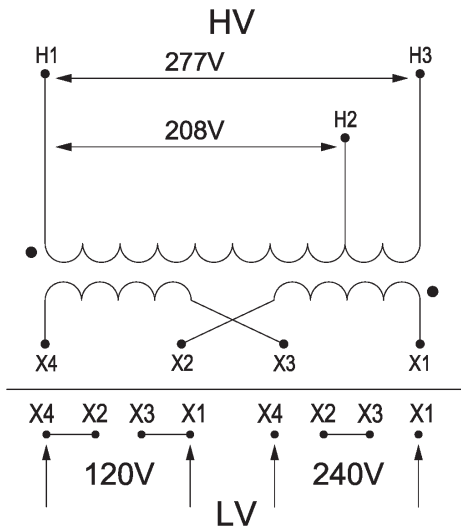
### AR - CONNECTIONS FOR 600 HV TO 24 LV

(If 4 terminal secondary - no T2, T1 terminals. Need SFBK10 for fusing)

High Voltage (HV) (Primary Volts)	Install Supplied Jumpers/ Links Between Terminals	Supply Lines Connect To
600 575 550	NONE	H1, H2

Low Voltage (LV) (Secondary Volts)	Install Supplied Links Between Terminals	Load Lines Connect To	Install Fuse Clips To
24 23 22	NONE	X2, X1	Unfused
24 23 22	T2-T1	T1, X1	T2, X2

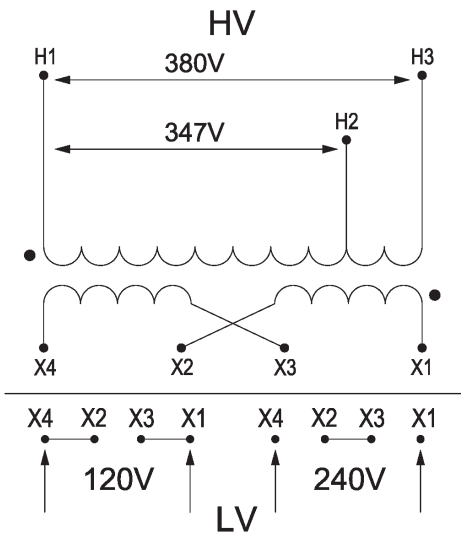


### DJ - CONNECTIONS FOR 208/277 HV TO 120X240 LV

(If 4 terminal secondary - no T2, T1 terminals. Need SFBK10 for fusing)

High Voltage (HV) (Primary Volts)	Install Supplied Jumpers/ Links Between Terminals	Supply Lines Connect To
208	NONE	H1, H2
277	NONE	H1, H3

Low Voltage (LV) (Secondary Volts)	Install Supplied Links Between Terminals	Load Lines Connect To	Install Fuse Clips To
120	X4-X2, X3-X1	X4, X1	Unfused
240	X2-X3	X4, X1	Unfused
120	X4-X2, X3-X1, T2-T1	T1, X1	T2, X4
240	X2-X3, T2-T1	T1, X1	T2, X4

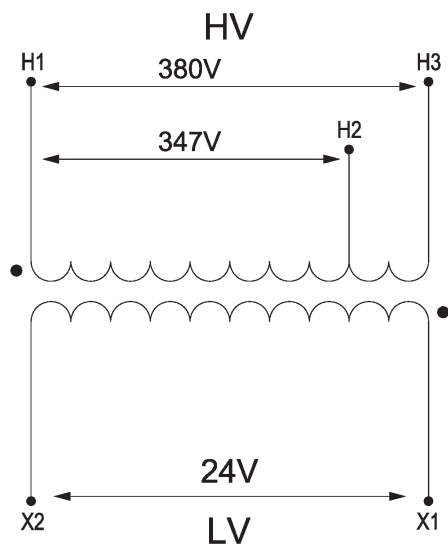


### KHP - CONNECTIONS FOR 347/380 HV TO 120X240 LV

(If 4 terminal secondary - no T2, T1 terminals. Need SFBK10 for fusing)

High Voltage (HV) (Primary Volts)	Install Supplied Jumpers/ Links Between Terminals	Supply Lines Connect To
347	NONE	H1, H2
380	NONE	H1, H3

Low Voltage (LV) (Secondary Volts)	Install Supplied Links Between Terminals	Load Lines Connect To	Install Fuse Clips To
120	X4-X2, X3-X1	X4, X1	Unfused
240	X2-X3	X4, X1	Unfused
120	X4-X2, X3-X1, T2-T1	T1, X1	T2, X4
240	X2-X3, T2-T1	T1, X1	T2, X4

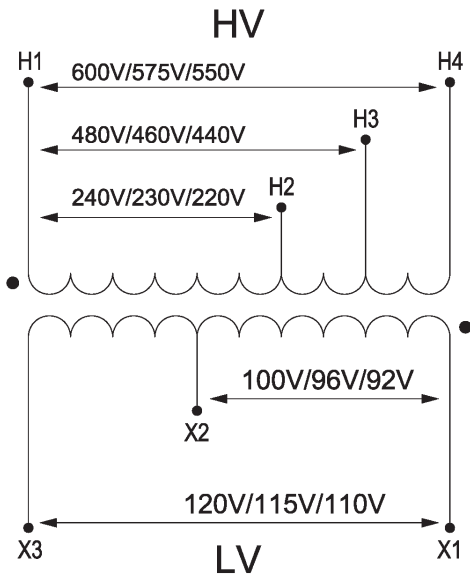


### KHR - CONNECTIONS FOR 347/380 HV TO 24 LV

(If 4 terminal secondary - no T2, T1 terminals. Need SFBK10 for fusing)

High Voltage (HV) (Primary Volts)	Install Supplied Jumpers/ Links Between Terminals	Supply Lines Connect To
347	NONE	H1, H2
380	NONE	H1, H3

Low Voltage (LV) (Secondary Volts)	Install Supplied Links Between Terminals	Load Lines Connect To	Install Fuse Clips To
24	NONE	X2, X1	Unfused
24	T2-T1	T1, X1	T2, X2

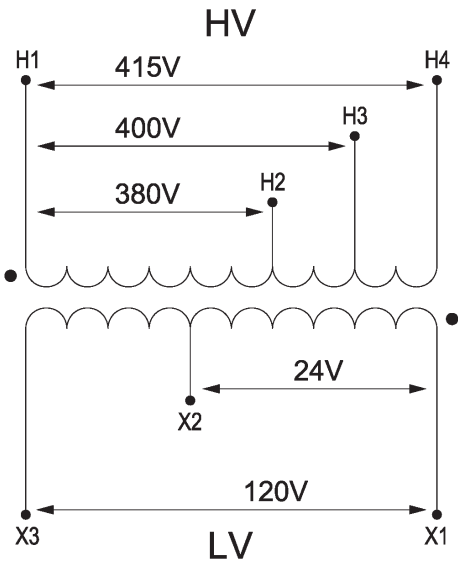


**MBMH - CONNECTIONS FOR 230/460/575 HV TO 115/95 LV**  
 (If 4 terminal secondary - no T2, T1 terminals. Need SFBK10 for fusing)

High Voltage (HV) (Primary Volts)	Install Supplied Jumpers/ Links Between Terminals	Supply Lines Connect To
240 230 220	NONE	H1, H2
480 460 440	NONE	H1, H3
600 575 550	NONE	H1, H4

Low Voltage (LV) (Secondary Volts)	Install Supplied Links Between Terminals	Load Lines Connect To	Install Fuse Clips To
100 95 92	NONE	X2, X1	Unfused
120 115 110	NONE	X3, X1	Unfused
100 95 92	T2-T1	T2, X1	T1, X2
120 115 110	T2-T1	T1, X1	T2, X3

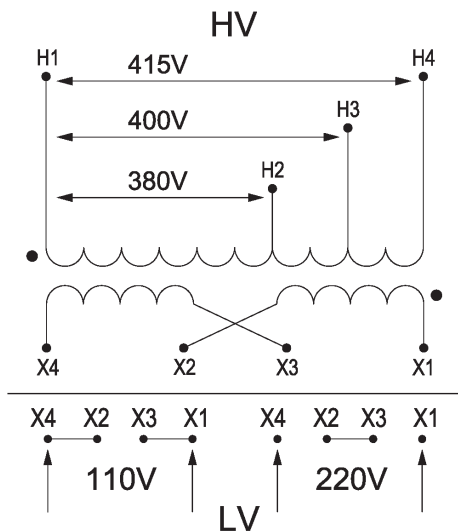


**MEI - CONNECTIONS FOR 380/400/415 HV TO 120/24 LV**  
 (If 4 terminal secondary - no T2, T1 terminals. Need SFBK10 for fusing)

High Voltage (HV) (Primary Volts)	Install Supplied Jumpers/ Links Between Terminals	Supply Lines Connect To
380	NONE	H1, H2
400	NONE	H1, H3
415	NONE	H1, H4

Low Voltage (LV) (Secondary Volts)	Install Supplied Links Between Terminals	Load Lines Connect To	Install Fuse Clips To
24	NONE	X2, X1	Unfused
120	NONE	X3, X1	Unfused
24	T2-T1	T2, X1	T1, X2
120	T2-T1	T1, X1	T2, X3

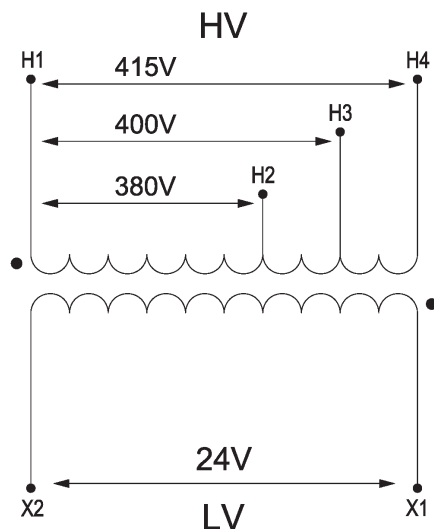


**MEMX - CONNECTIONS FOR 380/400/415 HV TO 120X220 LV**  
 (If 4 terminal secondary - no T2, T1 terminals. Need SFBK10 for fusing)

High Voltage (HV) (Primary Volts)	Install Supplied Jumpers/ Links Between Terminals	Supply Lines Connect To
380	NONE	H1, H2
400	NONE	H1, H3
415	NONE	H1, H4

Low Voltage (LV) (Secondary Volts)	Install Supplied Links Between Terminals	Load Lines Connect To	Install Fuse Clips To
110	X4-X2, X3-X1	X4, X1	Unfused
220	X2-X3	X4, X1	Unfused
110	X4-X2, X3-X1, T2-T1	T1, X1	T2, X4
220	X2-X3, T2-T1	T1, X1	T2, X4

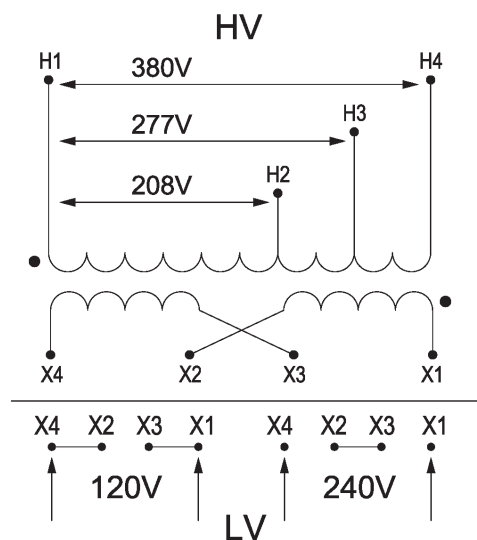


### MER - CONNECTIONS FOR 380/400/415 HV TO 24 LV

(If 4 terminal secondary - no T2, T1 terminals. Need SFBK10 for fusing)

High Voltage (HV) (Primary Volts)	Install Supplied Jumpers/ Links Between Terminals	Supply Lines Connect To
380	NONE	H1, H2
400	NONE	H1, H3
415	NONE	H1, H4

Low Voltage (LV) (Secondary Volts)	Install Supplied Links Between Terminals	Load Lines Connect To	Install Fuse Clips To
24	NONE	X2, X1	Unfused
24	T2-T1	T1, X1	T2, X2

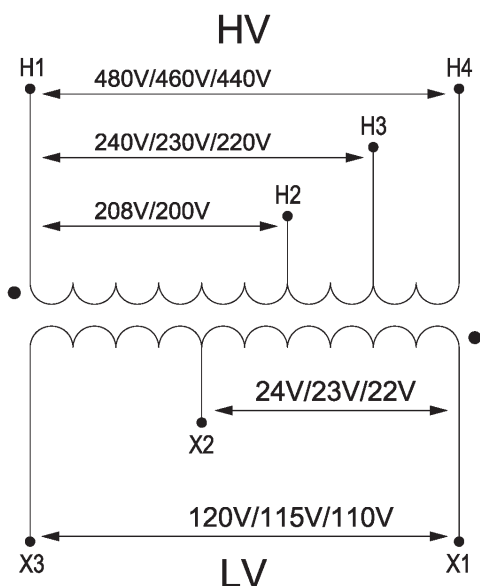


### MGJ - CONNECTIONS FOR 208/277/380 HV TO 120X240 LV

(If 4 terminal secondary - no T2, T1 terminals. Need SFBK10 for fusing)

High Voltage (HV) (Primary Volts)	Install Supplied Jumpers/ Links Between Terminals	Supply Lines Connect To
208	NONE	H1, H2
277	NONE	H1, H3
380	NONE	H1, H4

Low Voltage (LV) (Secondary Volts)	Install Supplied Links Between Terminals	Load Lines Connect To	Install Fuse Clips To
120	X4-X2, X3-X1	X4, X1	Unfused
240	X2-X3	X4, X1	Unfused
120	X4-X2, X3-X1, T2-T1	T1, X1	T2, X4
240	X2-X3, T2-T1	T1, X1	T2, X4

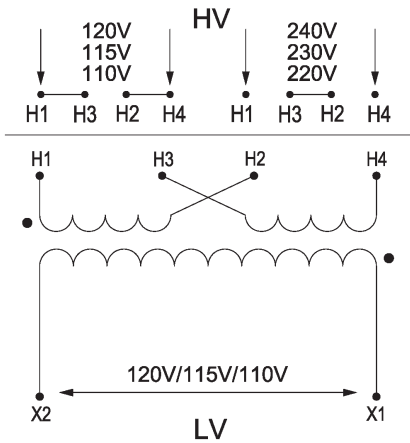


### MLI - CONNECTIONS FOR 208/230/460 HV TO 115/24 LV

(If 4 terminal secondary - no T2, T1 terminals. Need SFBK10 for fusing)

High Voltage (HV) (Primary Volts)	Install Supplied Jumpers/ Links Between Terminals	Supply Lines Connect To
217 208 199	NONE	H1, H2
240 230 220	NONE	H1, H3
480 460 440	NONE	H1, H4

Low Voltage (LV) (Secondary Volts)	Install Supplied Links Between Terminals	Load Lines Connect To	Install Fuse Clips To
25 24 23	NONE	X2, X1	Unfused
120 115 110	NONE	X3, X1	Unfused
25 24 23	T2-T1	T2, X1	T1, X2
120 115 110	T2-T1	T1, X1	T2, X3



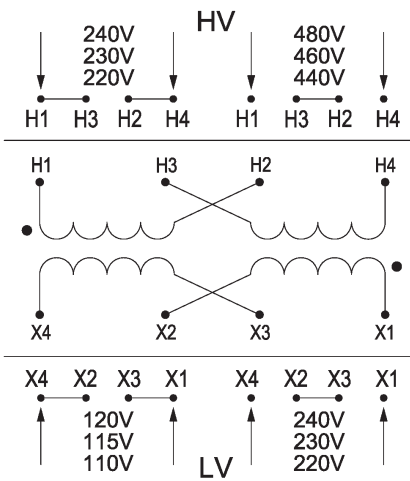
### MQM - CONNECTIONS FOR 230X460 HV TO 115 LV

(If 4 terminal secondary - no T2, T1 terminals. Need SFBK10 for fusing)

High Voltage (HV) (Primary Volts)	Install Supplied Jumpers/ Links Between Terminals	Supply Lines Connect To
240 230 220	H1-H3, H2-H4	H1, H4
480 460 440	H3-H2	H1, H4

Low Voltage (LV) (Secondary Volts)	Install Supplied Links Between Terminals	Load Lines Connect To	Install Fuse Clips To
120 115 110	NONE	X2, X1	Unfused
120 115 110	T2-T1	T1, X1	T2, X2



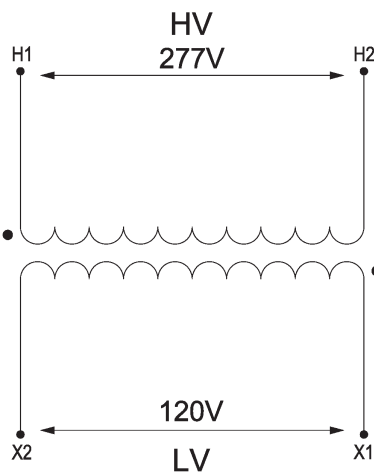
### MQMJ - CONNECTIONS FOR 240X480 HV TO 120X240 LV

(If 4 terminal secondary - no T2, T1 terminals. Need SFBK10 for fusing)

High Voltage (HV) (Primary Volts)	Install Supplied Jumpers/ Links Between Terminals	Supply Lines Connect To
240 230 220	H1-H3, H2-H4	H1, H4
480 460 440	H3-H2	H1, H4

Low Voltage (LV) (Secondary Volts)	Install Supplied Links Between Terminals	Load Lines Connect To	Install Fuse Clips To
120 115 110	X4-X2, X3-X1	X4, X1	Unfused
240 230 220	X2-X3	X4, X1	Unfused
120 115 110	X4-X2, X3-X1, T2-T1	T1, X1	T2, X4
240 230 220	X2-X3, T2-T1	T1, X1	T2, X4



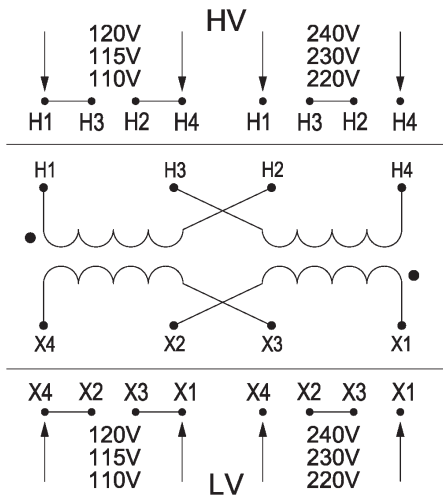
### NJ - CONNECTIONS FOR 277 HV TO 120 LV

(If 4 terminal secondary - no T2, T1 terminals. Need SFBK10 for fusing)

High Voltage (HV) (Primary Volts)	Install Supplied Jumpers/ Links Between Terminals	Supply Lines Connect To
277	NONE	H1, H2

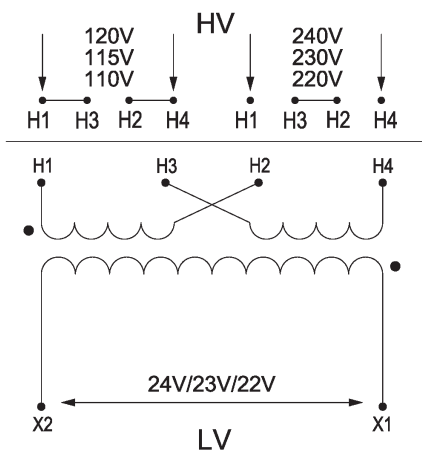
Low Voltage (LV) (Secondary Volts)	Install Supplied Links Between Terminals	Load Lines Connect To	Install Fuse Clips To
120 115 110	NONE	X2, X1	Unfused
120 115 110	T2-T1	T1, X1	T2, X2



### PP - CONNECTIONS FOR 120X240 HV TO 120X240 LV

(If 4 terminal secondary - no T2, T1 terminals. Need SFBK10 for fusing)

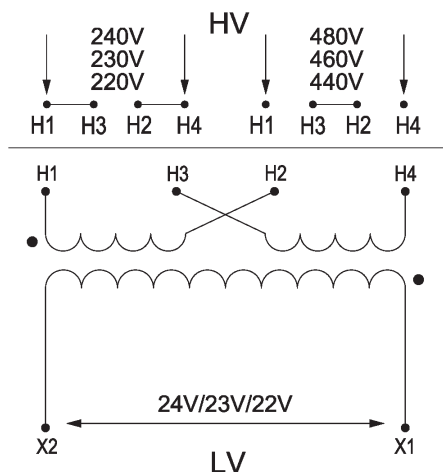
High Voltage (HV) (Primary Volts)	Install Supplied Jumpers/ Links Between Terminals	Supply Lines Connect To	Low Voltage (LV) (Secondary Volts)	Install Supplied Links Between Terminals	Load Lines Connect To	Install Fuse Clips To
120 115 110	H1-H3, H2-H4	H1, H4	120 115 110	X4-X2, X3-X1	X4, X1	Unfused
240 230 220	H3-H2	H1, H4	240 230 220	X2-X3	X4, X1	Unfused
			120 115 110	X4-X2, X3-X1, T2-T1	T1, X1	T2, X4
			240 230 220	X2-X3, T2-T1	T1, X1	T2, X4



### PR - CONNECTIONS FOR 120X240 HV TO 24 LV

(If 4 terminal secondary - no T2, T1 terminals. Need SFBK10 for fusing)

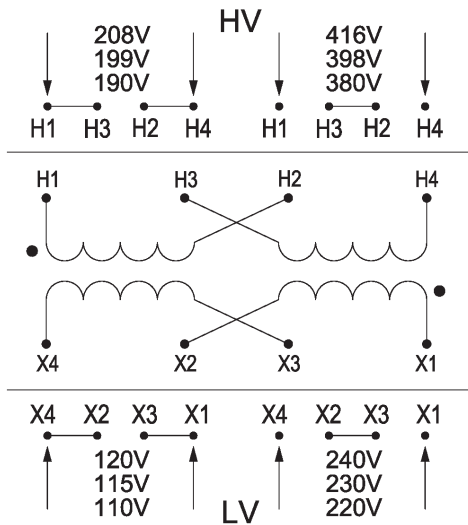
High Voltage (HV) (Primary Volts)	Install Supplied Jumpers/ Links Between Terminals	Supply Lines Connect To	Low Voltage (LV) (Secondary Volts)	Install Supplied Links Between Terminals	Load Lines Connect To	Install Fuse Clips To
120 115 110	H1-H3, H2-H4	H1, H4	25 24 23	NONE	X2, X1	Unfused
240 230 220	H3-H2	H1, H4	25 24 23	T2-T1	T1, X1	T2, X2



### QR - CONNECTIONS FOR 240X480 HV TO 24 LV

(If 4 terminal secondary - no T2, T1 terminals. Need SFBK10 for fusing)

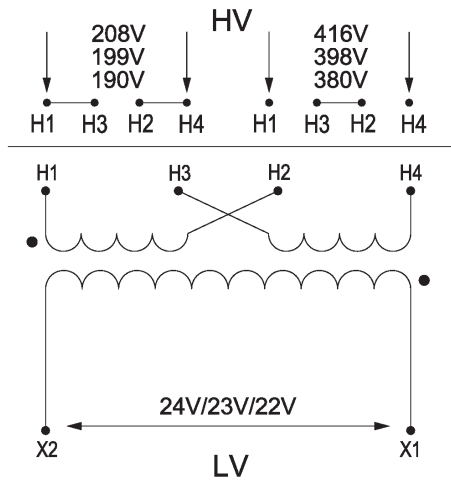
High Voltage (HV) (Primary Volts)	Install Supplied Jumpers/ Links Between Terminals	Supply Lines Connect To	Low Voltage (LV) (Secondary Volts)	Install Supplied Links Between Terminals	Load Lines Connect To	Install Fuse Clips To
240 230 220	H1-H3, H2-H4	H1, H4	25 24 23	NONE	X2, X1	Unfused
480 460 440	H3-H2	H1, H4	25 24 23	T2-T1	T1, X1	T2, X2



### SP - CONNECTIONS FOR 208X416 HV TO 120X240 LV

(If 4 terminal secondary - no T2, T1 terminals. Need SFBK10 for fusing)

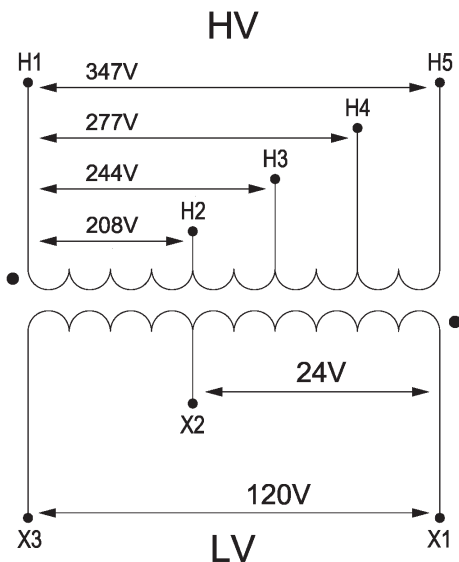
High Voltage (HV) (Primary Volts)	Install Supplied Jumpers/ Links Between Terminals	Supply Lines Connect To	Low Voltage (LV) (Secondary Volts)	Install Supplied Links Between Terminals	Load Lines Connect To	Install Fuse Clips To
208 199 190	H1-H3, H2-H4	H1, H4	120 115 110	X4-X2, X3-X1	X4, X1	Unfused
416 398 380	H3-H2	H1, H4	240 230 220	X2-X3	X4, X1	Unfused
			120 115 110	X4-X2, X3-X1, T2-T1	T1, X1	T2, X4
			240 230 220	X2-X3, T2-T1	T1, X1	T2, X4



### SR - CONNECTIONS FOR 208X416 HV TO 24 LV

(If 4 terminal secondary - no T2, T1 terminals. Need SFBK10 for fusing)

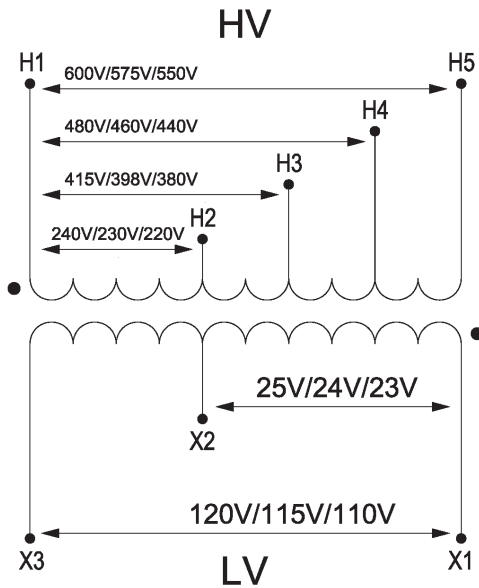
High Voltage (HV) (Primary Volts)	Install Supplied Jumpers/ Links Between Terminals	Supply Lines Connect To	Low Voltage (LV) (Secondary Volts)	Install Supplied Links Between Terminals	Load Lines Connect To	Install Fuse Clips To
208 199 190	H1-H3, H2-H4	H1, H4	25 24 23	NONE	X2, X1	Unfused
416 398 380	H3-H2	H1, H4	25 24 23	T2-T1	T1, X1	T2, X2



### TI - CONNECTIONS FOR 208/240/277/347 HV TO 120/24 LV

(If 4 terminal secondary - no T2, T1 terminals. Need SFBK10 for fusing)

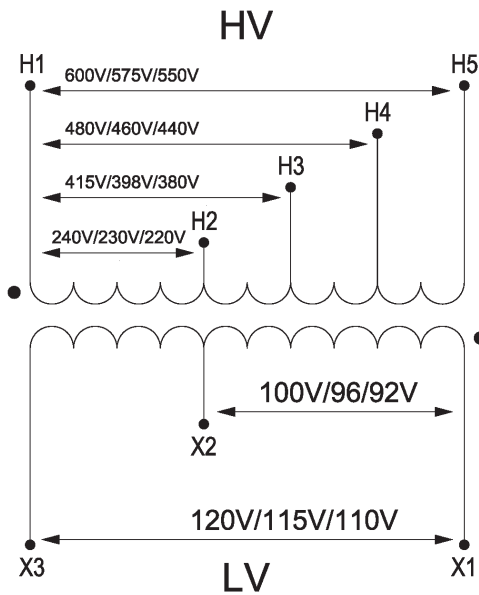
High Voltage (HV) (Primary Volts)	Install Supplied Jumpers/ Links Between Terminals	Supply Lines Connect To	Low Voltage (LV) (Secondary Volts)	Install Supplied Links Between Terminals	Load Lines Connect To	Install Fuse Clips To
208	NONE	H1, H2	24	NONE	X2, X1	Unfused
240	NONE	H1, H3	120	NONE	X3, X1	Unfused
277	NONE	H1, H4	24	T2-T1	T2, X1	T1, X2
347	NONE	H1, H5	120	T2-T1	T1, X1	T2, X3



### XI - CONNECTIONS FOR 230/400/460/575 HV TO 115/24 LV

(If 4 terminal secondary - no T2, T1 terminals. Need SFBK10 for fusing)

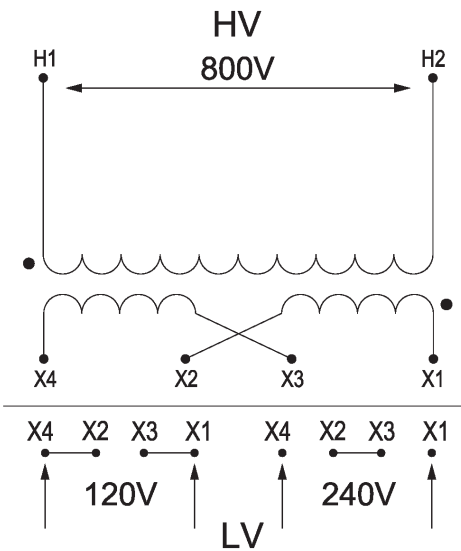
High Voltage (HV) (Primary Volts)	Install Supplied Jumpers/ Links Between Terminals	Supply Lines Connect To	Low Voltage (LV) (Secondary Volts)	Install Supplied Links Between Terminals	Load Lines Connect To	Install Fuse Clips To
240 230 220	NONE	H1, H2	25 24 23	NONE	X2, X1	Unfused
415 398 380	NONE	H1, H3	120 115 110	NONE	X3, X1	Unfused
480 460 440	NONE	H1, H4	25 24 23	T2-T1	T2, X1	T1, X2
600 575 550	NONE	H1, H5	120 115 110	T2-T1	T1, X1	T2, X3



### XMH - CONNECTIONS FOR 230/400/460/575 HV TO 115/95 LV

(If 4 terminal secondary - no T2, T1 terminals. Need SFBK10 for fusing)

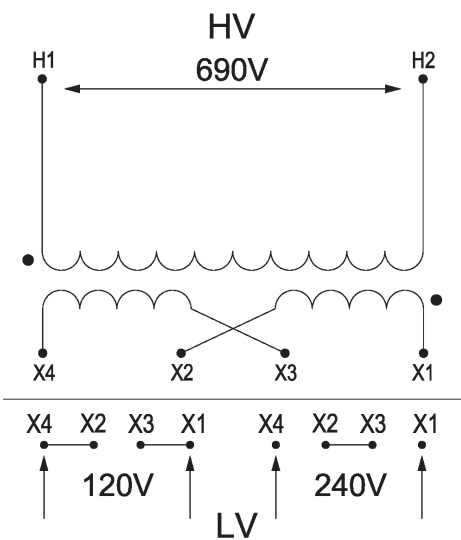
High Voltage (HV) (Primary Volts)	Install Supplied Jumpers/ Links Between Terminals	Supply Lines Connect To	Low Voltage (LV) (Secondary Volts)	Install Supplied Links Between Terminals	Load Lines Connect To	Install Fuse Clips To
240 230 220	NONE	H1, H2	100 96 92	NONE	X2, X1	Unfused
415 398 380	NONE	H1, H3	120 115 110	NONE	X3, X1	Unfused
480 460 440	NONE	H1, H4	100 96 92	T2-T1	T2, X1	T1, X2
600 575 550	NONE	H1, H5	120 115 110	T2-T1	T1, X1	T2, X3



### YJ - CONNECTIONS FOR 800 HV TO 120X240 LV

(If 4 terminal secondary - no T2, T1 terminals. Need SFBK10 for fusing)

High Voltage (HV) (Primary Volts)	Install Supplied Jumpers/ Links Between Terminals	Supply Lines Connect To	Low Voltage (LV) (Secondary Volts)	Install Supplied Links Between Terminals	Load Lines Connect To	Install Fuse Clips To
800	NONE	H1, H2	120	X4-X2, X3-X1	X4, X1	Unfused
			240	X2-X3	X4, X1	Unfused
			120	X4-X2, X3-X1, T2-T1	T1, X1	T2, X4
			240	X2-X3, T2-T1	T1, X1	T2, X4



### ZJ - CONNECTIONS FOR 690 HV TO 120X240 LV

(If 4 terminal secondary - no T2, T1 terminals. Need SFBK10 for fusing)

High Voltage (HV) (Primary Volts)	Install Supplied Jumpers/ Links Between Terminals	Supply Lines Connect To	Low Voltage (LV) (Secondary Volts)	Install Supplied Links Between Terminals	Load Lines Connect To	Install Fuse Clips To
690	NONE	H1, H2	120	X4-X2, X3-X1	X4, X1	Unfused
			240	X2-X3	X4, X1	Unfused
			120	X4-X2, X3-X1, T2-T1	T1, X1	T2, X4
			240	X2-X3, T2-T1	T1, X1	T2, X4

# Schémas de câblage des Transformateurs de contrôle industriels

La série HPS de Transformateurs de contrôle industriels est disponible dans de nombreuses versions standard. Ces instructions de raccordement électrique concernent uniquement les transformateurs de contrôle HPS standard. (*Remarque : kits de fusibles secondaires standard (non installés) fournis uniquement avec les transformateurs C2M ; kits de blocs de fusibles primaires installés sur site (PFBK10) vendus séparément ; fusibles non disponibles auprès de HPS.*)

Si vous avez des questions concernant ces schémas de câblage ou si vous rencontrez des difficultés pour installer correctement nos transformateurs, veuillez contacter le service clientèle ou l'assistance technique de HPS aux États-Unis au 1-866-705-4684 ou au Canada au 1-888-798-8882.

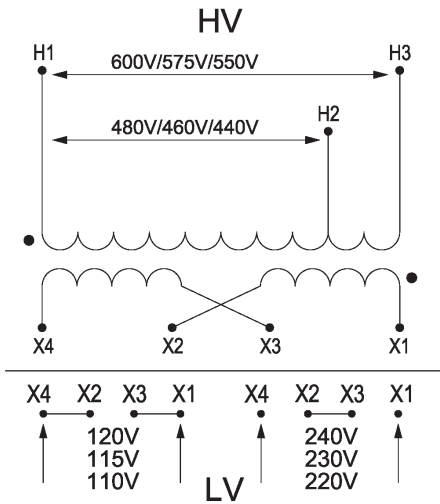
## Codes de tension

Pour accéder à un schéma spécifique, cliquez sur le suffixe P/N correspondant dans le tableau ci-dessous.

Suffixe P/N	Primaire	Secondaire
<a href="#">ACP</a>	600/480	120 X 240
<a href="#">AJ</a>	600	120 X 240
<a href="#">AR</a>	600	24
<a href="#">DJ</a>	277/208	120 X 240
<a href="#">KHP</a>	380/347	120 X 240
<a href="#">KHR</a>	380/347	24
<a href="#">MBMH</a>	575/460/230	115/95
<a href="#">MEI</a>	415/400/380	120/24
<a href="#">MEMX</a>	415/400/380	110 X 220
<a href="#">MER</a>	415/400/380	24
<a href="#">MGJ</a>	380/277/208	120 X 240
<a href="#">MLI</a>	460/230/208	115/24
<a href="#">MQM</a>	230X460	115
<a href="#">MQMJ</a>	240 X 480	120 X 240
<a href="#">NJ</a>	277	120
<a href="#">PP</a>	120 X 240	120 X 240
<a href="#">PR</a>	120 X 240	24
<a href="#">QR</a>	240 X 480	24
<a href="#">SP</a>	208 X 416	120 X 240
<a href="#">SR</a>	208 X 416	24
<a href="#">TI</a>	347/277/240/208	120/24
<a href="#">XI</a>	575/460/400/230	115/24
<a href="#">XMH</a>	575/460/400/230	115/95
<a href="#">YJ</a>	800	120 X 240
<a href="#">ZJ</a>	690	120 X 240

\*Remarque : ce manuel est trilingue (anglais, français, espagnol).

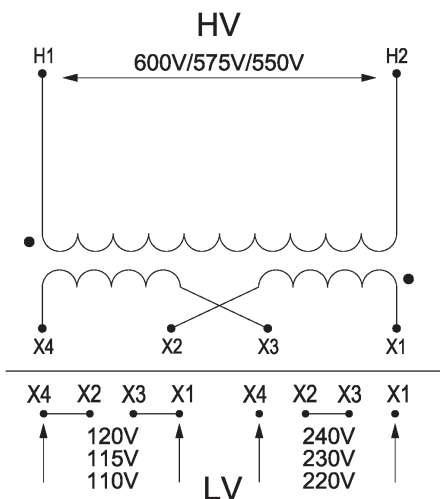
## Transformateur de commande - Schémas de câblage



### ACP - BRANCHEMENTS POUR 480/600 HV À 120X240 LV

(Si 4 bornes secondaires - pas de bornes T2, T1. Nécessite SFBK10 pour la fusion)

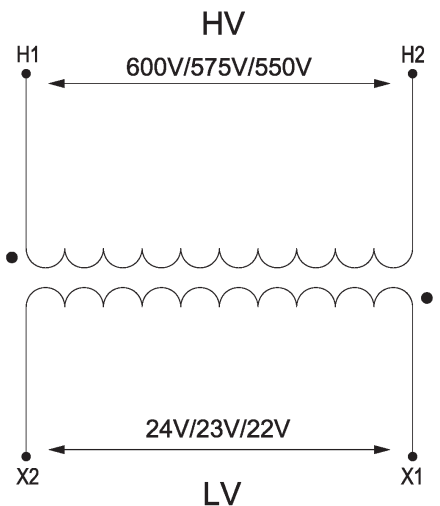
Haute tension (HT) (Volts primaires)	Installez les cavaliers/liaisons fournis entre les bornes	Lignes d'alimentation Branchez sur	
480 460 440	AUCUN	H1, H2	
600 575 550	AUCUN	H1, H3	
Basse tension (BT) (Volts secondaires)	Barrettes fournies installées entre les bornes	Lignes de charge Branchez sur	Installer les clips de fusible sur
120 115 110	X4-X2, X3-X1	X4, X1	Non fusionné
240 230 220	X2-X3	X4, X1	Non fusionné
120 115 110	X4-X2, X3-X1, T2-T1	T1, X1	T2, X4
240 230 220	X2-X3, T2-T1	T1, X1	T2, X4



### AJ - BRANCHEMENTS POUR 600 HV À 120X240 LV

(Si 4 bornes secondaires - pas de bornes T2, T1. Nécessite SFBK10 pour la fusion)

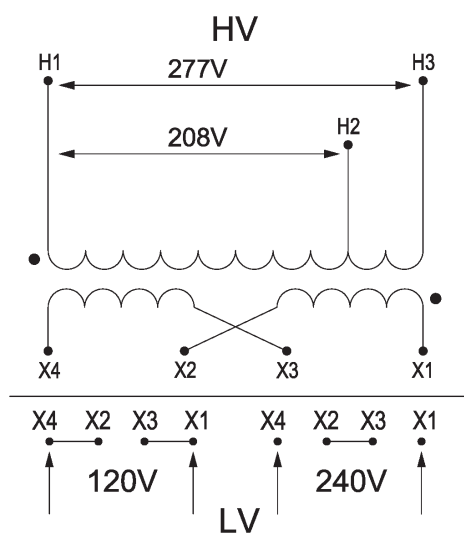
Haute tension (HT) (Volts primaires)	Installez les cavaliers/liaisons fournis entre les bornes	Lignes d'alimentation Branchez sur	
600 575 550	AUCUN	H1, H2	
Basse tension (BT) (Volts secondaires)	Barrettes fournies installées entre les bornes	Lignes de charge Branchez sur	Installer les clips de fusible sur
120 115 110	X4-X2, X3-X1	X4, X1	Non fusionné
240 230 220	X2-X3	X4, X1	Non fusionné
120 115 110	X4-X2, X3-X1, T2-T1	T1, X1	T2, X4
240 230 220	X2-X3, T2-T1	T1, X1	T2, X4



### AR - BRANCHEMENTS POUR 600 HV À 24 LV

(Si 4 bornes secondaires - pas de bornes T2, T1. Nécessite SFBK10 pour la fusion)

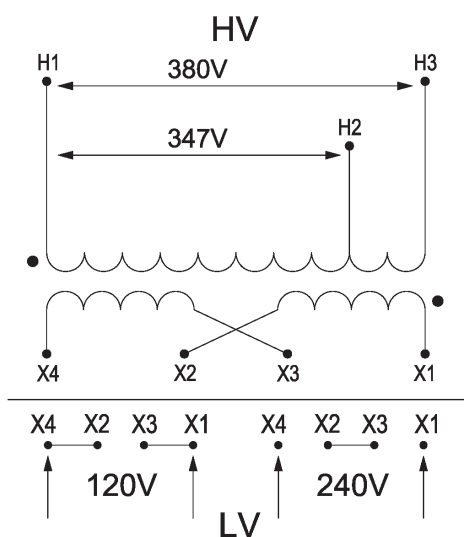
Haute tension (HT) (Volts primaires)	Installez les cavaliers/liaisons fournis entre les bornes	Lignes d'alimentation Branchez sur	
600 575 550	AUCUN	H1, H2	
Basse tension (BT) (Volts secondaires)	Barrettes fournies installées entre les bornes	Lignes de charge Branchez sur	Installer les clips de fusible sur
24 23 22	AUCUN	X2, X1	Non fusionné
24 23 22	T2-T1	T1, X1	T2, X2



### DJ - BRANCHEMENTS POUR 208/277 HV À 120X240 LV

(Si 4 bornes secondaires - pas de bornes T2, T1. Nécessite SFBK10 pour la fusion)

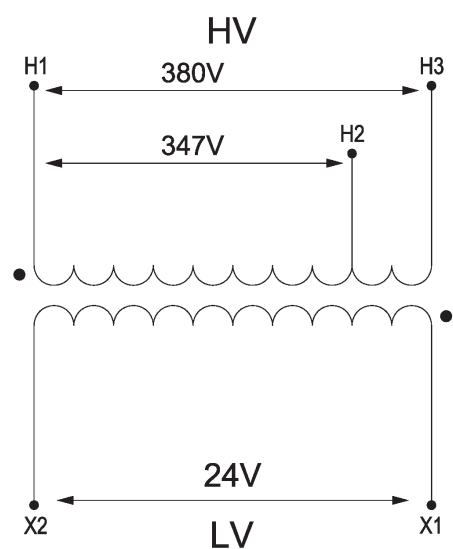
Haute tension (HT) (Volts primaires)	Installez les cavaliers/liasons fournis entre les bornes	Lignes d'alimentation Branchez sur	
208	AUCUN	H1, H2	
277	AUCUN	H1, H3	
Basse tension (BT) (Volts secondaires)	Barrettes fournies installées entre les bornes	Lignes de charge Branchez sur	Installer les clips de fusible sur
120	X4-X2, X3-X1	X4, X1	Non fusionné
240	X2-X3	X4, X1	Non fusionné
120	X4-X2, X3-X1, T2-T1	T1, X1	T2, X4
240	X2-X3, T2-T1	T1, X1	T2, X4



### KHP - BRANCHEMENTS POUR 347/380 HV À 120X240 LV

(Si 4 bornes secondaires - pas de bornes T2, T1. Nécessite SFBK10 pour la fusion)

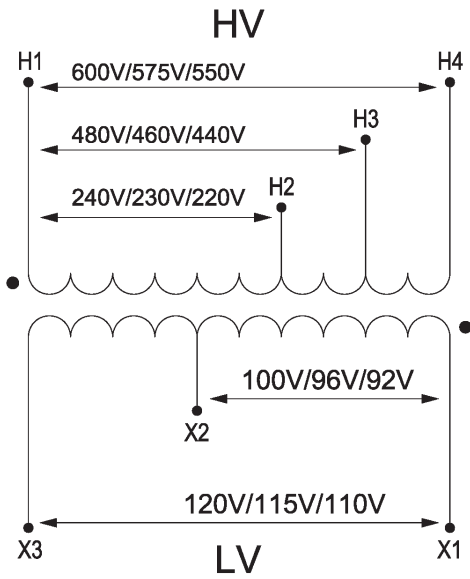
Haute tension (HT) (Volts primaires)	Installez les cavaliers/liasons fournis entre les bornes	Lignes d'alimentation Branchez sur	
347	AUCUN	H1, H2	
380	AUCUN	H1, H3	
Basse tension (BT) (Volts secondaires)	Barrettes fournies installées entre les bornes	Lignes de charge Branchez sur	Installer les clips de fusible sur
120	X4-X2, X3-X1	X4, X1	Non fusionné
240	X2-X3	X4, X1	Non fusionné
120	X4-X2, X3-X1, T2-T1	T1, X1	T2, X4
240	X2-X3, T2-T1	T1, X1	T2, X4



### KHR - BRANCHEMENTS POUR 347/380 HV À 24 LV

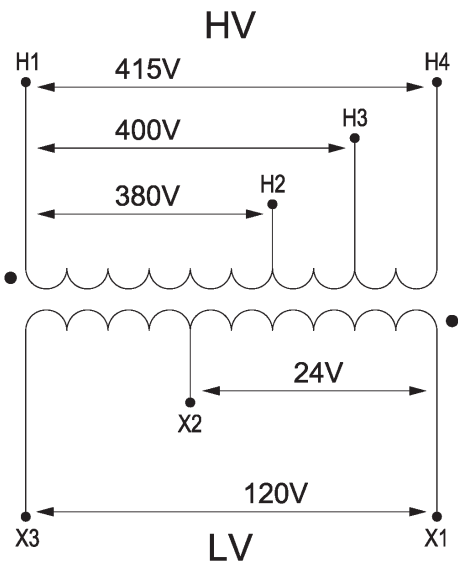
(Si 4 bornes secondaires - pas de bornes T2, T1. Nécessite SFBK10 pour la fusion)

Haute tension (HT) (Volts primaires)	Installez les cavaliers/liasons fournis entre les bornes	Lignes d'alimentation Branchez sur	
347	AUCUN	H1, H2	
380	AUCUN	H1, H3	
Basse tension (BT) (Volts secondaires)	Barrettes fournies installées entre les bornes	Lignes de charge Branchez sur	Installer les clips de fusible sur
24	AUCUN	X2, X1	Non fusionné
24	T2-T1	T1, X1	T2, X2



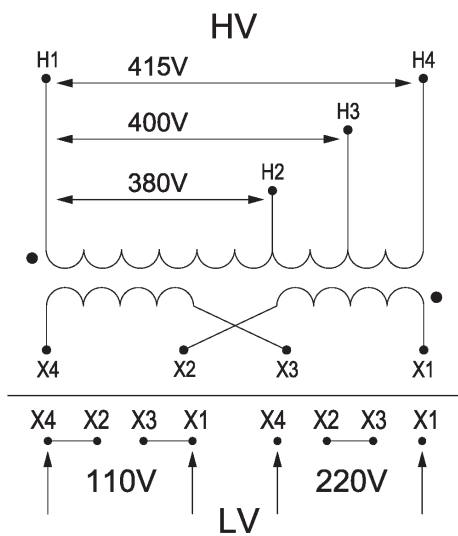
**MBMH - BRANCHEMENTS POUR 230/460/575 HV À 115/95 LV**  
 (Si 4 bornes secondaires - pas de bornes T2, T1. Nécessite SFBK10 pour la fusion)

Haute tension (HT) (Volts primaires)	Installez les cavaliers/liaisons fournis entre les bornes	Lignes d'alimentation Branchez sur	
240 230 220	AUCUN	H1, H2	
480 460 440	AUCUN	H1, H3	
600 575 550	AUCUN	H1, H4	
Basse tension (BT) (Volts secondaires)	Barrettes fournies installées entre les bornes	Lignes de charge Branchez sur	Installer les clips de fusible sur
100 95 92	AUCUN	X2, X1	Non fusionné
120 115 110	AUCUN	X3, X1	Non fusionné
100 95 92	T2-T1	T2, X1	T1, X2
120 115 110	T2-T1	T1, X1	T2, X3



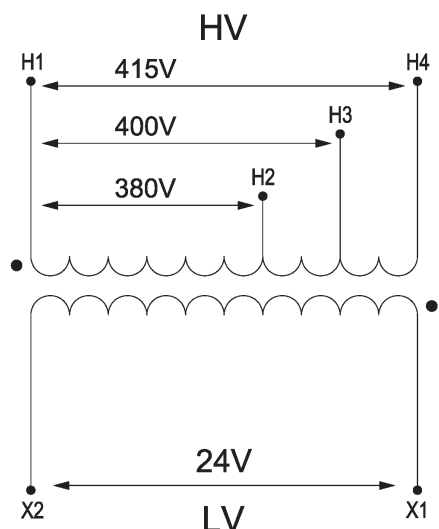
**MEI - BRANCHEMENTS POUR 380/400/415 HV À 120/24 LV**  
 (Si 4 bornes secondaires - pas de bornes T2, T1. Nécessite SFBK10 pour la fusion)

Haute tension (HT) (Volts primaires)	Installez les cavaliers/liaisons fournis entre les bornes	Lignes d'alimentation Branchez sur	
380	AUCUN	H1, H2	
400	AUCUN	H1, H3	
415	AUCUN	H1, H4	
Basse tension (BT) (Volts secondaires)	Barrettes fournies installées entre les bornes	Lignes de charge Branchez sur	Installer les clips de fusible sur
24	AUCUN	X2, X1	Non fusionné
120	AUCUN	X3, X1	Non fusionné
24	T2-T1	T2, X1	T1, X2
120	T2-T1	T1, X1	T2, X3



**MEMX - BRANCHEMENTS POUR 380/400/415 HV À 120X220 LV**  
 (Si 4 bornes secondaires - pas de bornes T2, T1. Nécessite SFBK10 pour la fusion)

Haute tension (HT) (Volts primaires)	Installez les cavaliers/liaisons fournis entre les bornes	Lignes d'alimentation Branchez sur	
380	AUCUN	H1, H2	
400	AUCUN	H1, H3	
415	AUCUN	H1, H4	
Basse tension (BT) (Volts secondaires)	Barrettes fournies installées entre les bornes	Lignes de charge Branchez sur	Installer les clips de fusible sur
110	X4-X2, X3-X1	X4, X1	Non fusionné
220	X2-X3	X4, X1	Non fusionné
110	X4-X2, X3-X1, T2-T1	T1, X1	T2, X4
220	X2-X3, T2-T1	T1, X1	T2, X4



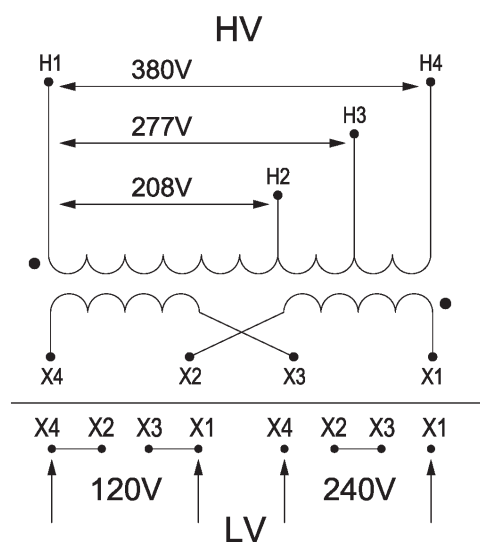
### MER - BRANCHEMENTS POUR 380/400/415 HV À 24 LV

(Si 4 bornes secondaires - pas de bornes T2, T1. Nécessite SFBK10 pour la fusion)

Haute tension (HT) (Volts primaires)	Installez les cavaliers/liaisons fournis entre les bornes	Lignes d'alimentation Branchez sur
380	AUCUN	H1, H2
400	AUCUN	H1, H3
415	AUCUN	H1, H4

Basse tension (BT) (Volts secondaires)	Barrettes fournies installées entre les bornes	Lignes de charge Branchez sur	Installer les clips de fusible sur
24	AUCUN	X2, X1	Non fusionné
24	T2-T1	T1, X1	T2, X2



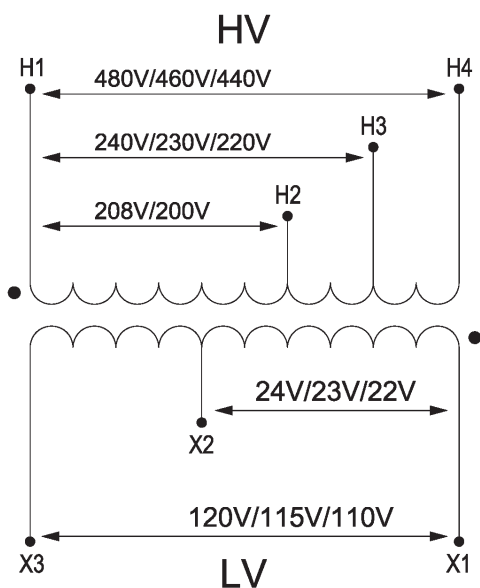
### MGJ - BRANCHEMENTS POUR 208/277/380 HV À 120X240 LV

(Si 4 bornes secondaires - pas de bornes T2, T1. Nécessite SFBK10 pour la fusion)

Haute tension (HT) (Volts primaires)	Installez les cavaliers/liaisons fournis entre les bornes	Lignes d'alimentation Branchez sur
208	AUCUN	H1, H2
277	AUCUN	H1, H3
380	AUCUN	H1, H4

Basse tension (BT) (Volts secondaires)	Barrettes fournies installées entre les bornes	Lignes de charge Branchez sur	Installer les clips de fusible sur
120	X4-X2, X3-X1	X4, X1	Non fusionné
240	X2-X3	X4, X1	Non fusionné
120	X4-X2, X3-X1, T2-T1	T1, X1	T2, X4
240	X2-X3, T2-T1	T1, X1	T2, X4



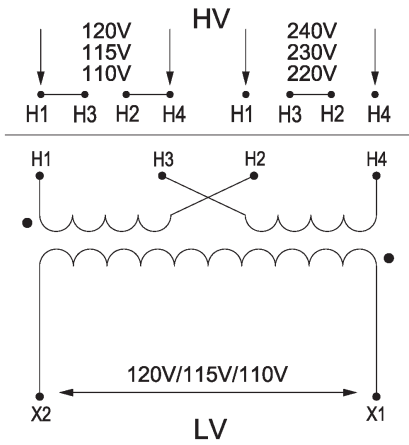
### MLI - BRANCHEMENTS POUR 208/230/460 HV À 115/24 LV

(Si 4 bornes secondaires - pas de bornes T2, T1. Nécessite SFBK10 pour la fusion)

Haute tension (HT) (Volts primaires)	Installez les cavaliers/liaisons fournis entre les bornes	Lignes d'alimentation Branchez sur
217 208 199	AUCUN	H1, H2
240 230 220	AUCUN	H1, H3
480 460 440	AUCUN	H1, H4

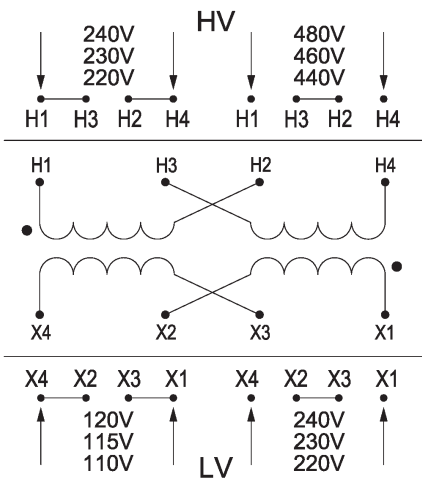
Basse tension (BT) (Volts secondaires)	Barrettes fournies installées entre les bornes	Lignes de charge Branchez sur	Installer les clips de fusible sur
25 24 23	AUCUN	X2, X1	Non fusionné
120 115 110	AUCUN	X3, X1	Non fusionné
25 24 23	T2-T1	T2, X1	T1, X2
120 115 110	T2-T1	T1, X1	T2, X3



### MQM - BRANCHEMENTS POUR 230X460 HV À 115 LV

(Si 4 bornes secondaires - pas de bornes T2, T1. Nécessite SFBK10 pour la fusion)

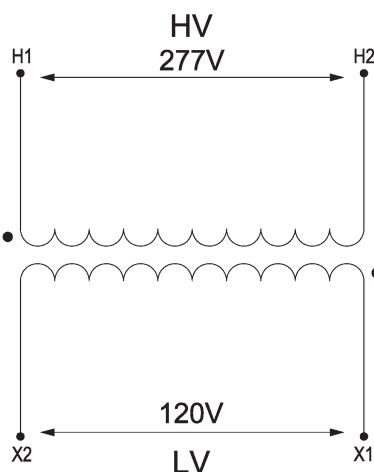
Haute tension (HT) (Volts primaires)	Installez les cavaliers/liaisons fournis entre les bornes	Lignes d'alimentation Branchez sur	
240 230 220	H1-H3, H2-H4	H1, H4	
480 460 440	H3-H2	H1, H4	
Basse tension (BT) (Volts secondaires)	Barrettes fournies installées entre les bornes	Lignes de charge Branchez sur	Installer les clips de fusible sur
120 115 110	AUCUN	X2, X1	Non fusionné
120 115 110	T2-T1	T1, X1	T2, X2



### MQMJ - BRANCHEMENTS POUR 240X480 HV À 120X240 LV

(Si 4 bornes secondaires - pas de bornes T2, T1. Nécessite SFBK10 pour la fusion)

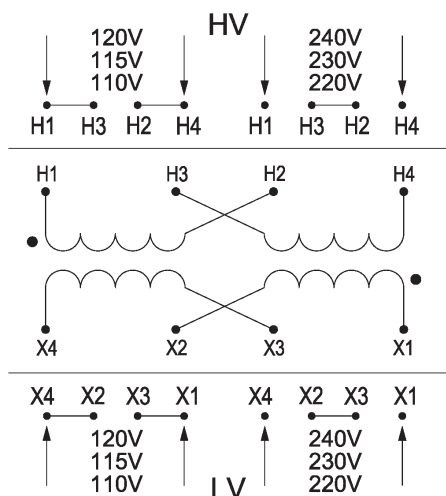
Haute tension (HT) (Volts primaires)	Installez les cavaliers/liaisons fournis entre les bornes	Lignes d'alimentation Branchez sur	
240 230 220	H1-H3, H2-H4	H1, H4	
480 460 440	H3-H2	H1, H4	
Basse tension (BT) (Volts secondaires)	Barrettes fournies installées entre les bornes	Lignes de charge Branchez sur	Installer les clips de fusible sur
120 115 110	X4-X2, X3-X1	X4, X1	Non fusionné
240 230 220	X2-X3	X4, X1	Non fusionné
120 115 110	X4-X2, X3-X1, T2-T1	T1, X1	T2, X4
240 230 220	X2-X3, T2-T1	T1, X1	T2, X4



### NJ - BRANCHEMENTS POUR 277 HV À 120 LV

(Si 4 bornes secondaires - pas de bornes T2, T1. Nécessite SFBK10 pour la fusion)

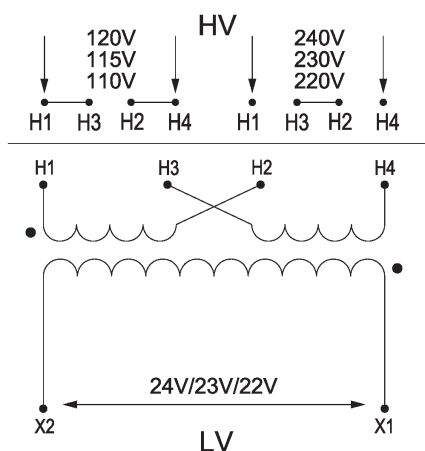
Haute tension (HT) (Volts primaires)	Installez les cavaliers/liaisons fournis entre les bornes	Lignes d'alimentation Branchez sur	
277	AUCUN	H1, H2	
Basse tension (BT) (Volts secondaires)	Barrettes fournies installées entre les bornes	Lignes de charge Branchez sur	Installer les clips de fusible sur
120 115 110	AUCUN	X2, X1	Non fusionné
120 115 110	T2-T1	T1, X1	T2, X2



### PP - BRANCHEMENTS POUR 120X240 HV À 120X240 LV

(Si 4 bornes secondaires - pas de bornes T2, T1. Nécessite SFBK10 pour la fusion)

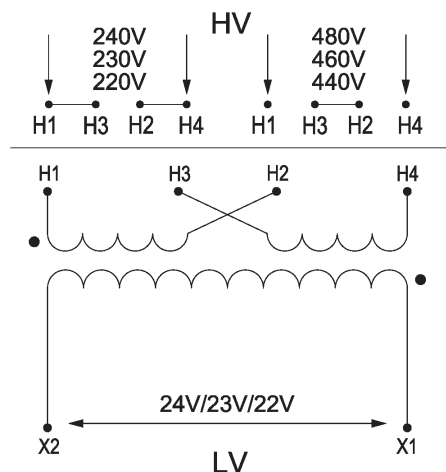
Haute tension (HT) (Volts primaires)	Installez les cavaliers/liaisons fournis entre les bornes	Lignes d'alimentation Branchez sur
120 115 110	H1-H3, H2-H4	H1, H4
240 230 220	H3-H2	H1, H4
Basse tension (BT) (Volts secondaires)	Barrettes fournies installées entre les bornes	Lignes de charge Branchez sur
120 115 110	X4-X2, X3-X1	X4, X1
240 230 220	X2-X3	X4, X1
120 115 110	X4-X2, X3-X1, T2-T1	T1, X1
240 230 220	X2-X3, T2-T1	T1, X1



### PR - BRANCHEMENTS POUR 120X240 HV À 24 LV

(Si 4 bornes secondaires - pas de bornes T2, T1. Nécessite SFBK10 pour la fusion)

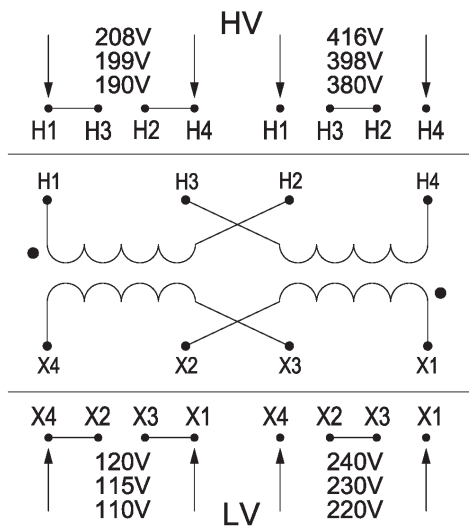
Haute tension (HT) (Volts primaires)	Installez les cavaliers/liaisons fournis entre les bornes	Lignes d'alimentation Branchez sur
120 115 110	H1-H3, H2-H4	H1, H4
240 230 220	H3-H2	H1, H4
Basse tension (BT) (Volts secondaires)	Barrettes fournies installées entre les bornes	Lignes de charge Branchez sur
25 24 23	AUCUN	X2, X1
25 24 23	T2-T1	T1, X1



### QR - BRANCHEMENTS POUR 240X480 HV À 24 LV

(Si 4 bornes secondaires - pas de bornes T2, T1. Nécessite SFBK10 pour la fusion)

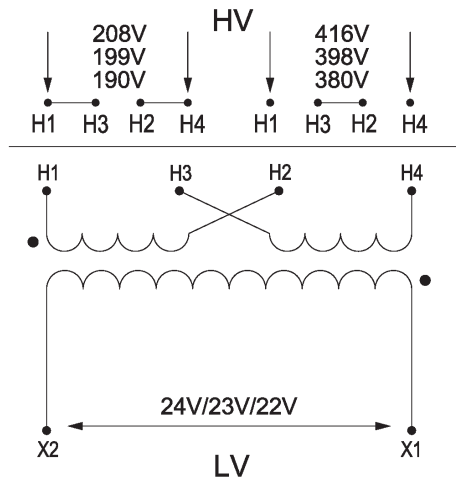
Haute tension (HT) (Volts primaires)	Installez les cavaliers/liaisons fournis entre les bornes	Lignes d'alimentation Branchez sur
240 230 220	H1-H3, H2-H4	H1, H4
480 460 440	H3-H2	H1, H4
Basse tension (BT) (Volts secondaires)	Barrettes fournies installées entre les bornes	Lignes de charge Branchez sur
25 24 23	AUCUN	X2, X1
25 24 23	T2-T1	T1, X1



### SP - BRANCHEMENTS POUR 208X416 HV À 120X240 LV

(Si 4 bornes secondaires - pas de bornes T2, T1. Nécessite SFBK10 pour la fusion)

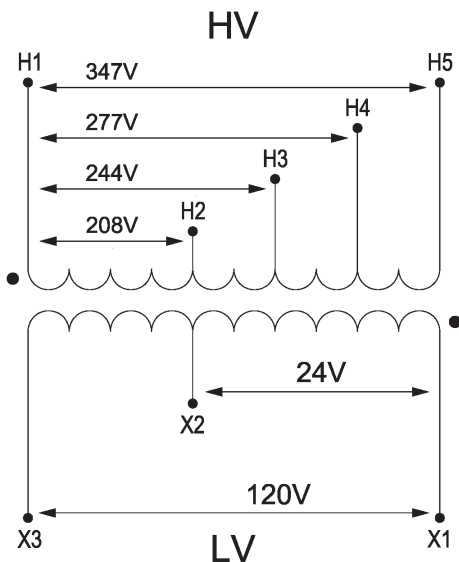
Haute tension (HT) (Volts primaires)	Installez les cavaliers/liaisons fournis entre les bornes	Lignes d'alimentation Branchez sur	
208 199 190	H1-H3, H2-H4	H1, H4	
416 398 380	H3-H2	H1, H4	
Basse tension (BT) (Volts secondaires)	Barrettes fournies installées entre les bornes	Lignes de charge Branchez sur	Installer les clips de fusible sur
120 115 110	X4-X2, X3-X1	X4, X1	Non fusionné
240 230 220	X2-X3	X4, X1	Non fusionné
120 115 110	X4-X2, X3-X1, T2-T1	T1, X1	T2, X4
240 230 220	X2-X3, T2-T1	T1, X1	T2, X4



### SR - BRANCHEMENTS POUR 208X416 À TO 24 LV

(Si 4 bornes secondaires - pas de bornes T2, T1. Nécessite SFBK10 pour la fusion)

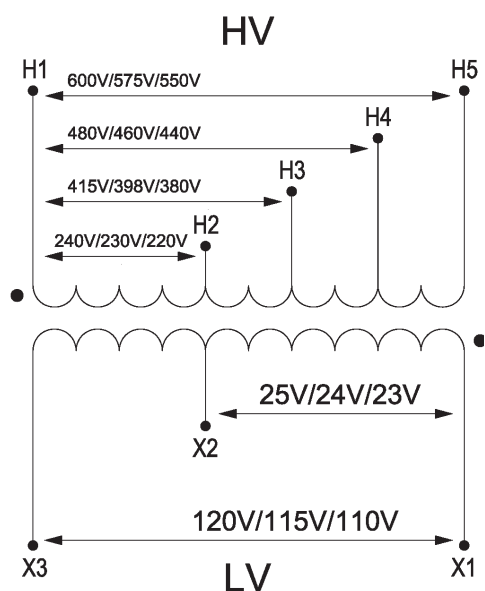
Haute tension (HT) (Volts primaires)	Installez les cavaliers/liaisons fournis entre les bornes	Lignes d'alimentation Branchez sur	
208 199 190	H1-H3, H2-H4	H1, H4	
416 398 380	H3-H2	H1, H4	
Basse tension (BT) (Volts secondaires)	Barrettes fournies installées entre les bornes	Lignes de charge Branchez sur	Installer les clips de fusible sur
25 24 23	AUCUN	X2, X1	Non fusionné
25 24 23	T2-T1	T1, X1	T2, X2



### TI - BRANCHEMENTS POUR 208/240/277/347 HV À 120/24 LV

(Si 4 bornes secondaires - pas de bornes T2, T1. Nécessite SFBK10 pour la fusion)

Haute tension (HT) (Volts primaires)	Installez les cavaliers/liaisons fournis entre les bornes	Lignes d'alimentation Branchez sur	
208	AUCUN	H1, H2	
240	AUCUN	H1, H3	
277	AUCUN	H1, H4	
347	AUCUN	H1, H5	
Basse tension (BT) (Volts secondaires)	Barrettes fournies installées entre les bornes	Lignes de charge Branchez sur	Installer les clips de fusible sur
24	AUCUN	X2, X1	Non fusionné
120	AUCUN	X3, X1	Non fusionné
24	T2-T1	T2, X1	T1, X2
120	T2-T1	T1, X1	T2, X3



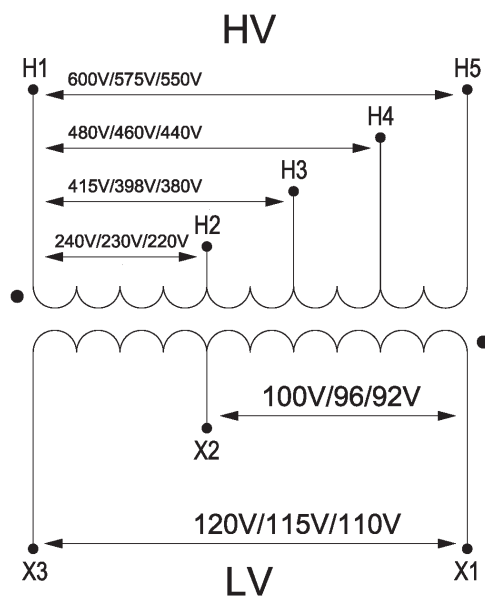
### XI - BRANCHEMENTS POUR 230/400/460/575 HV À 115/24 LV

(Si 4 bornes secondaires - pas de bornes T2, T1. Nécessite SFBK10 pour la fusion)

Haute tension (HT) (Volts primaires)	Installez les cavaliers/liasons fournis entre les bornes	Lignes d'alimentation Branchez sur
240 230 220	AUCUN	H1, H2
415 398 380	AUCUN	H1, H3
480 460 440	AUCUN	H1, H4
600 575 550	AUCUN	H1, H5

Basse tension (BT) (Volts secondaires)	Barrettes fournies installées entre les bornes	Lignes de charge Branchez sur	Installer les clips de fusible sur
25 24 23	AUCUN	X2, X1	Non fusionné
120 115 110	AUCUN	X3, X1	Non fusionné
25 24 23	T2-T1	T2, X1	T1, X2
120 115 110	T2-T1	T1, X1	T2, X3



### XMH - BRANCHEMENTS POUR 230/400/460/575 HV À 115/95 LV

(Si 4 bornes secondaires - pas de bornes T2, T1. Nécessite SFBK10 pour la fusion)

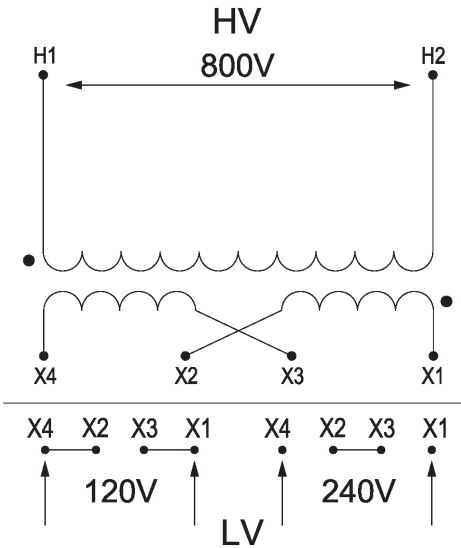
Haute tension (HT) (Volts primaires)	Installez les cavaliers/liasons fournis entre les bornes	Lignes d'alimentation Branchez sur
240 230 220	AUCUN	H1, H2
415 398 380	AUCUN	H1, H3
480 460 440	AUCUN	H1, H4
600 575 550	AUCUN	H1, H5

Basse tension (BT) (Volts secondaires)	Barrettes fournies installées entre les bornes	Lignes de charge Branchez sur	Installer les clips de fusible sur
100 96 92	AUCUN	X2, X1	Non fusionné
120 115 110	AUCUN	X3, X1	Non fusionné
100 96 92	T2-T1	T2, X1	T1, X2
120 115 110	T2-T1	T1, X1	T2, X3

### YJ - BRANCHEMENTS POUR 800 HV À 120X240 LV

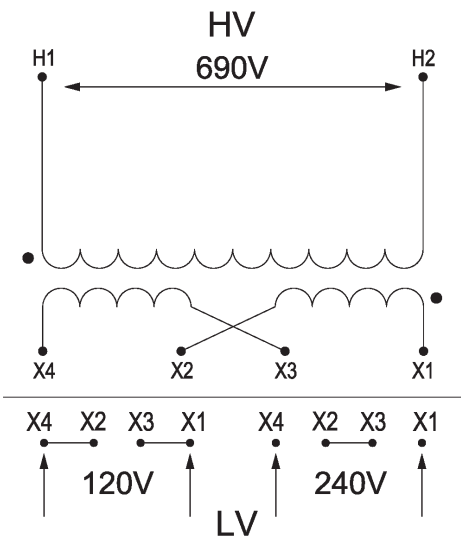
(Si 4 bornes secondaires - pas de bornes T2, T1. Nécessite SFBK10 pour la fusion)



Haute tension (HT) (Volts primaires)	Installez les cavaliers/liasons fournis entre les bornes	Lignes d'alimentation Branchez sur	
800	AUCUN	H1, H2	
Basse tension (BT) (Volts secondaires)	Barrettes fournies installées entre les bornes	Lignes de charge Branchez sur	Installer les clips de fusible sur
120	X4-X2, X3-X1	X4, X1	Non fusionné
240	X2-X3	X4, X1	Non fusionné
120	X4-X2, X3-X1, T2-T1	T1, X1	T2, X4
240	X2-X3, T2-T1	T1, X1	T2, X4

### ZJ - BRANCHEMENTS POUR 690 HV À 120X240 LV

(Si 4 bornes secondaires - pas de bornes T2, T1. Nécessite SFBK10 pour la fusion)



Haute tension (HT) (Volts primaires)	Installez les cavaliers/liasons fournis entre les bornes	Lignes d'alimentation Branchez sur	
690	AUCUN	H1, H2	
Basse tension (BT) (Volts secondaires)	Barrettes fournies installées entre les bornes	Lignes de charge Branchez sur	Installer les clips de fusible sur
120	X4-X2, X3-X1	X4, X1	Non fusionné
240	X2-X3	X4, X1	Non fusionné
120	X4-X2, X3-X1, T2-T1	T1, X1	T2, X4
240	X2-X3, T2-T1	T1, X1	T2, X4

# Diagramas de cableado de transformadores de control industrial

La serie HPS de transformadores de control industrial está disponible en muchas ofertas estándar. Estas instrucciones de conexión eléctrica se refieren únicamente a los transformadores de control HPS estándar. *(Nota: los kits de fusibles secundarios estándar (no instalados) se suministran solo con los transformadores C2M; los kits de bloques de fusibles primarios instalados en campo (PFBK10) se venden por separado; los fusibles no están disponibles en HPS).*

Si tiene alguna pregunta sobre estos diagramas de cableado o tiene alguna dificultad para instalar correctamente nuestros transformadores, póngase en contacto con el servicio de atención al cliente o el servicio técnico de HPS en EE. UU. en el 1-866-705-4684 o en Canadá en el 1-888-798-8882.

## Códigos de voltaje

Para ir a un diagrama específico, haga clic en el sufijo P/N correspondiente en la tabla siguiente.

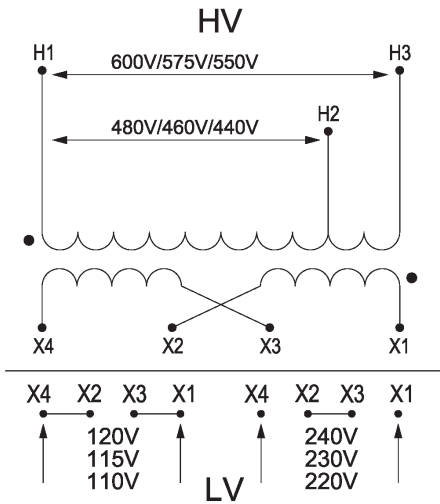
Sufijo P/N	Primario	Secundario
<a href="#">ACP</a>	600/480	120 X 240
<a href="#">AJ</a>	600	120 X 240
<a href="#">AR</a>	600	24
<a href="#">DJ</a>	277/208	120 X 240
<a href="#">KHP</a>	380/347	120 X 240
<a href="#">KHR</a>	380/347	24
<a href="#">MBMH</a>	575/460/230	115/95
<a href="#">MEI</a>	415/400/380	120/24
<a href="#">MEMX</a>	415/400/380	110 X 220
<a href="#">MER</a>	415/400/380	24
<a href="#">MGJ</a>	380/277/208	120 X 240
<a href="#">MLI</a>	460/230/208	115/24
<a href="#">MQM</a>	230X460	115
<a href="#">MQMJ</a>	240 X 480	120 X 240
<a href="#">NJ</a>	277	120
<a href="#">PP</a>	120 X 240	120 X 240
<a href="#">PR</a>	120 X 240	24
<a href="#">QR</a>	240 X 480	24
<a href="#">SP</a>	208 X 416	120 X 240
<a href="#">SR</a>	208 X 416	24
<a href="#">TI</a>	347/277/240/208	120/24
<a href="#">XI</a>	575/460/400/230	115/24
<a href="#">XMH</a>	575/460/400/230	115/95
<a href="#">YJ</a>	800	120 X 240
<a href="#">ZJ</a>	690	120 X 240

\*Tenga en cuenta que este manual está disponible en tres idiomas (inglés, francés y español).

## Transformador de control - Esquemas de cableado

### ACP - CONEXIONES PARA 480/600 HV A 120X240 LV

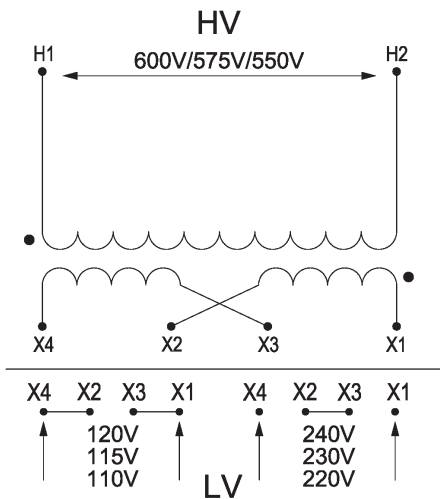
(Si es secundario de 4 terminales, sin terminales T2 ni T1. Se necesita SFBK10 para la fusión).



Alta Tensión (HV) (Voltios primarios)	Instale los puentes/conexiones suministrados entre los terminales	Líneas de alimentación Conecte a	
480 460 440	NINGUNO	H1, H2	
600 575 550	NINGUNO	H1, H3	
Baja Tensión (LV) (Voltios secundarios)	Barras suministradas instaladas entre los bornes	Líneas de carga Conectar a	Instalar los clips de fusible en
120 115 110	X4-X2, X3-X1	X4, X1	Sin fusionar
240 230 220	X2-X3	X4, X1	Sin fusionar
120 115 110	X4-X2, X3-X1, T2-T1	T1, X1	T2, X4
240 230 220	X2-X3, T2-T1	T1, X1	T2, X4

### AJ - CONEXIONES PARA 600 HV A 120X240 LV

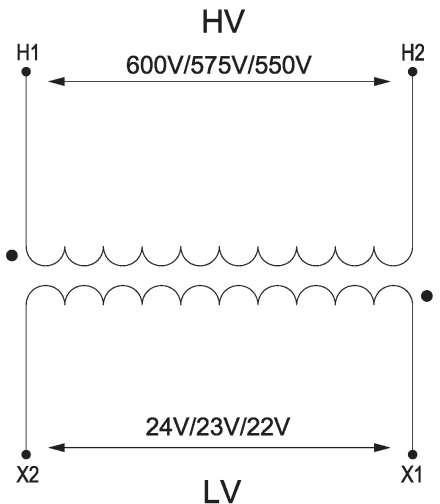
(Si es secundario de 4 terminales, sin terminales T2 ni T1. Se necesita SFBK10 para la fusión).



Alta Tensión (HV) (Voltios primarios)	Instale los puentes/conexiones suministrados entre los terminales	Líneas de alimentación Conecte a	
600 575 550	NINGUNO	H1, H2	
Baja Tensión (LV) (Voltios secundarios)	Barras suministradas instaladas entre los bornes	Líneas de carga Conectar a	Instalar los clips de fusible en
120 115 110	X4-X2, X3-X1	X4, X1	Sin fusionar
240 230 220	X2-X3	X4, X1	Sin fusionar
120 115 110	X4-X2, X3-X1, T2-T1	T1, X1	T2, X4
240 230 220	X2-X3, T2-T1	T1, X1	T2, X4

### AR - CONEXIONES PARA 600 HV A 24 LV

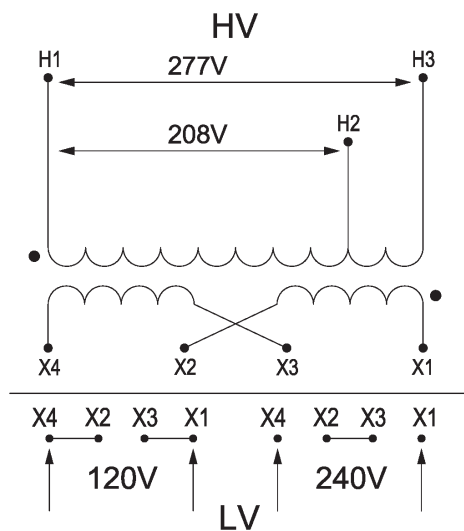
(Si es secundario de 4 terminales, sin terminales T2 ni T1. Se necesita SFBK10 para la fusión).



Alta Tensión (HV) (Voltios primarios)	Instale los puentes/conexiones suministrados entre los terminales	Líneas de alimentación Conecte a	
600 575 550	NINGUNO	H1, H2	
Baja Tensión (LV) (Voltios secundarios)	Barras suministradas instaladas entre los bornes	Líneas de carga Conectar a	Instalar los clips de fusible en
24 23 22	NINGUNO	X2, X1	Sin fusionar
24 23 22	T2-T1	T1, X1	T2, X2

### DJ - CONEXIONES PARA 208/277 HV A 120X240 LV

(Si es secundario de 4 terminales, sin terminales T2 ni T1. Se necesita SFBK10 para la fusión).



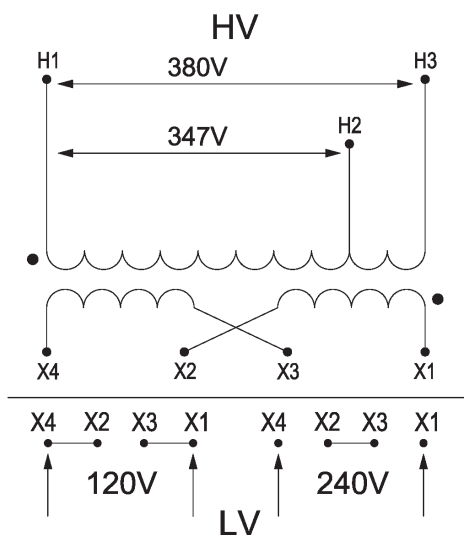
Alta Tensión (HV) (Voltios primarios)	Instale los puentes/ conexiones suministrados entre los terminales	Líneas de alimentación Conecte a
208	NINGUNO	H1, H2
277	NINGUNO	H1, H3

Baja Tensión (LV) (Voltios secundarios)	Barras suministradas instaladas entre los bornes	Líneas de carga Conectar a	Instalar los clips de fusible en
120	X4-X2, X3-X1	X4, X1	Sin fusionar
240	X2-X3	X4, X1	Sin fusionar
120	X4-X2, X3-X1, T2-T1	T1, X1	T2, X4
240	X2-X3, T2-T1	T1, X1	T2, X4

### KHP - CONEXIONES PARA 347/380 HV A 120X240 LV

(Si es secundario de 4 terminales, sin terminales T2 ni T1. Se necesita SFBK10 para la fusión).



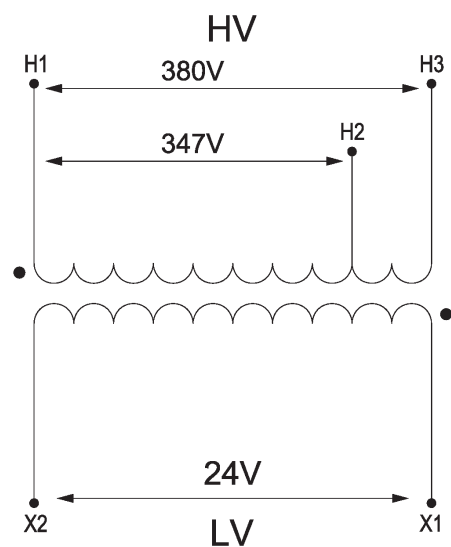
Alta Tensión (HV) (Voltios primarios)	Instale los puentes/ conexiones suministrados entre los terminales	Líneas de alimentación Conecte a
347	NINGUNO	H1, H2
380	NINGUNO	H1, H3

Baja Tensión (LV) (Voltios secundarios)	Barras suministradas instaladas entre los bornes	Líneas de carga Conectar a	Instalar los clips de fusible en
120	X4-X2, X3-X1	X4, X1	Sin fusionar
240	X2-X3	X4, X1	Sin fusionar
120	X4-X2, X3-X1, T2-T1	T1, X1	T2, X4
240	X2-X3, T2-T1	T1, X1	T2, X4

### KHR - CONEXIONES PARA 347/380 HV A 24 LV

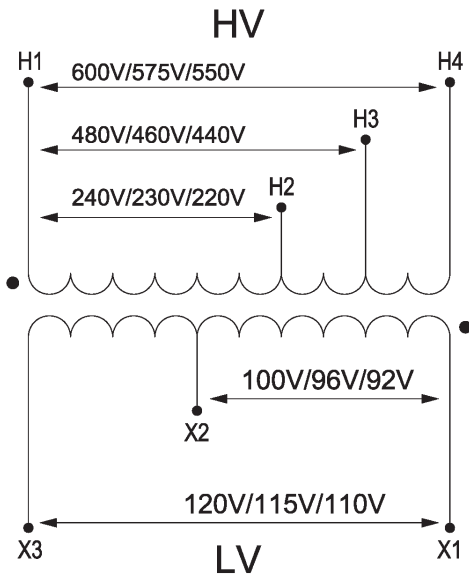
(Si es secundario de 4 terminales, sin terminales T2 ni T1. Se necesita SFBK10 para la fusión).



Alta Tensión (HV) (Voltios primarios)	Instale los puentes/ conexiones suministrados entre los terminales	Líneas de alimentación Conecte a
347	NINGUNO	H1, H2
380	NINGUNO	H1, H3

Baja Tensión (LV) (Voltios secundarios)	Barras suministradas instaladas entre los bornes	Líneas de carga Conectar a	Instalar los clips de fusible en
24	NINGUNO	X2, X1	Sin fusionar
24	T2-T1	T1, X1	T2, X2



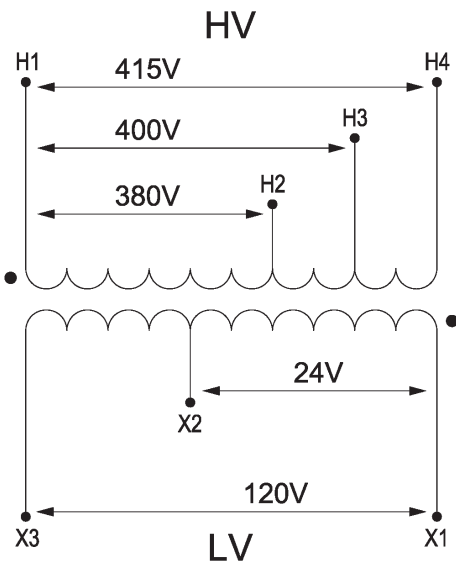
### MBMH - CONEXIONES PARA 230/460/575 HV A 115/95 LV

(Si es secundario de 4 terminales, sin terminales T2 ni T1. Se necesita SFBK10 para la fusión).

Alta Tensión (HV) (Voltios primarios)	Instale los puentes/ conexiones suministrados entre los terminales	Líneas de alimentación Conecte a
240 230 220	NINGUNO	H1, H2
480 460 440	NINGUNO	H1, H3
600 575 550	NINGUNO	H1, H4

Baja Tensión (LV) (Voltios secundarios)	Barras suministradas instaladas entre los bornes	Líneas de carga Conectar a	Instalar los clips de fusible en
100 95 92	NINGUNO	X2, X1	Sin fusionar
120 115 110	NINGUNO	X3, X1	Sin fusionar
100 95 92	T2-T1	T2, X1	T1, X2
120 115 110	T2-T1	T1, X1	T2, X3



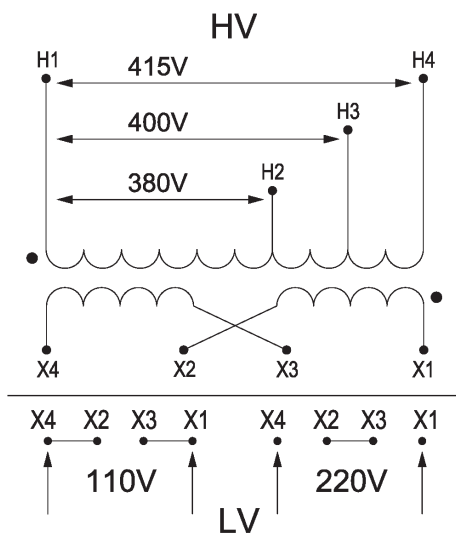
### MEI - CONEXIONES PARA 380/400/415 HV A 120/24 LV

(Si es secundario de 4 terminales, sin terminales T2 ni T1. Se necesita SFBK10 para la fusión).

Alta Tensión (HV) (Voltios primarios)	Instale los puentes/ conexiones suministrados entre los terminales	Líneas de alimentación Conecte a
380	NINGUNO	H1, H2
400	NINGUNO	H1, H3
415	NINGUNO	H1, H4

Baja Tensión (LV) (Voltios secundarios)	Barras suministradas instaladas entre los bornes	Líneas de carga Conectar a	Instalar los clips de fusible en
24	NINGUNO	X2, X1	Sin fusionar
120	NINGUNO	X3, X1	Sin fusionar
24	T2-T1	T2, X1	T1, X2
120	T2-T1	T1, X1	T2, X3



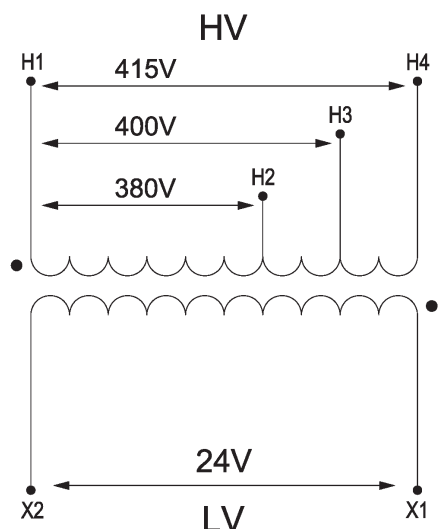
### MEMX - CONEXIONES PARA 380/400/415 HV A 120X220 LV

(Si es secundario de 4 terminales, sin terminales T2 ni T1. Se necesita SFBK10 para la fusión).

Alta Tensión (HV) (Voltios primarios)	Instale los puentes/ conexiones suministrados entre los terminales	Líneas de alimentación Conecte a
380	NINGUNO	H1, H2
400	NINGUNO	H1, H3
415	NINGUNO	H1, H4

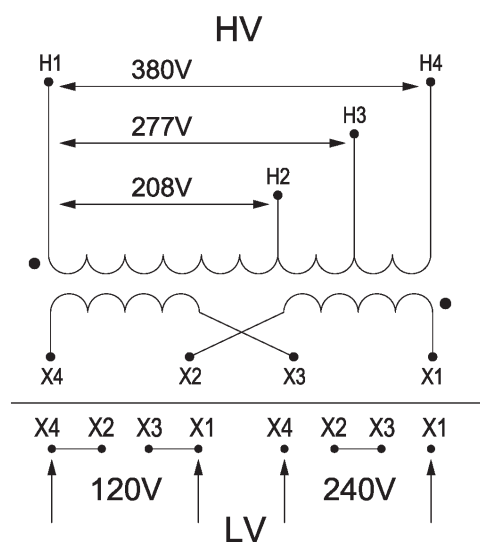
Baja Tensión (LV) (Voltios secundarios)	Barras suministradas instaladas entre los bornes	Líneas de carga Conectar a	Instalar los clips de fusible en
110	X4-X2, X3-X1	X4, X1	Sin fusionar
220	X2-X3	X4, X1	Sin fusionar
110	X4-X2, X3-X1, T2-T1	T1, X1	T2, X4
220	X2-X3, T2-T1	T1, X1	T2, X4



### MER - CONEXIONES PARA 380/400/415 HV A 24 LV

(Si es secundario de 4 terminales, sin terminales T2 ni T1. Se necesita SFBK10 para la fusión).

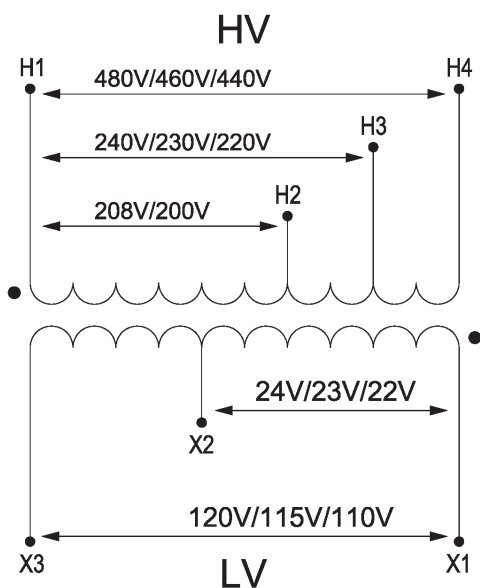
Alta Tensión (HV) (Voltios primarios)	Instale los puentes/ conexiones suministrados entre los terminales	Líneas de alimentación Conecte a	
380	NINGUNO	H1, H2	
400	NINGUNO	H1, H3	
415	NINGUNO	H1, H4	
Baja Tensión (LV) (Voltios secundarios)	Barras suministradas instaladas entre los bornes	Líneas de carga Conectar a	Instalar los clips de fusible en
24	NINGUNO	X2, X1	Sin fusionar
24	T2-T1	T1, X1	T2, X2



### MGJ - CONEXIONES PARA 208/277/380 HV A 120X240 LV

(Si es secundario de 4 terminales, sin terminales T2 ni T1. Se necesita SFBK10 para la fusión).

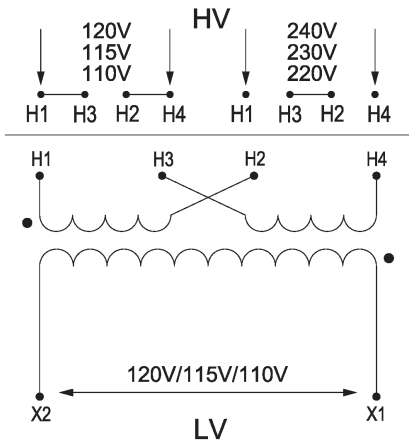
Alta Tensión (HV) (Voltios primarios)	Instale los puentes/ conexiones suministrados entre los terminales	Líneas de alimentación Conecte a	
208	NINGUNO	H1, H2	
277	NINGUNO	H1, H3	
380	NINGUNO	H1, H4	
Baja Tensión (LV) (Voltios secundarios)	Barras suministradas instaladas entre los bornes	Líneas de carga Conectar a	Instalar los clips de fusible en
120	X4-X2, X3-X1	X4, X1	Sin fusionar
240	X2-X3	X4, X1	Sin fusionar
120	X4-X2, X3-X1, T2-T1	T1, X1	T2, X4
240	X2-X3, T2-T1	T1, X1	T2, X4



### MLI - CONEXIONES PARA 208/230/460 HV A 115/24 LV

(Si es secundario de 4 terminales, sin terminales T2 ni T1. Se necesita SFBK10 para la fusión).

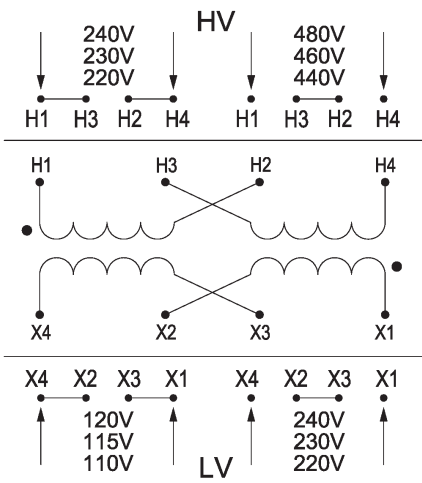
Alta Tensión (HV) (Voltios primarios)	Instale los puentes/ conexiones suministrados entre los terminales	Líneas de alimentación Conecte a	
217 208 199	NINGUNO	H1, H2	
240 230 220	NINGUNO	H1, H3	
480 460 440	NINGUNO	H1, H4	
Baja Tensión (LV) (Voltios secundarios)	Barras suministradas instaladas entre los bornes	Líneas de carga Conectar a	Instalar los clips de fusible en
25 24 23	NINGUNO	X2, X1	Sin fusionar
120 115 110	NINGUNO	X3, X1	Sin fusionar
25 24 23	T2-T1	T2, X1	T1, X2
120 115 110	T2-T1	T1, X1	T2, X3



### MQM - CONEXIONES PARA 230X460 HV A 115 LV

(Si es secundario de 4 terminales, sin terminales T2 ni T1. Se necesita SFBK10 para la fusión).

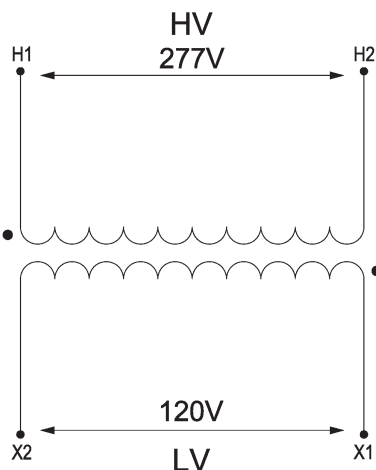
Alta Tensión (HV) (Voltios primarios)	Instale los puentes/ conexiones suministrados entre los terminales	Líneas de alimentación Conecte a	
240 230 220	H1-H3, H2-H4	H1, H4	
480 460 440	H3-H2	H1, H4	
Baja Tensión (LV) (Voltios secundarios)	Barras suministradas instaladas entre los bornes	Líneas de carga Conectar a	Instalar los clips de fusible en
120 115 110	NINGUNO	X2, X1	Sin fusionar
120 115 110	T2-T1	T1, X1	T2, X2



### MQMJ - CONEXIONES PARA 240X480 HV A 120X240 LV

(Si es secundario de 4 terminales, sin terminales T2 ni T1. Se necesita SFBK10 para la fusión).

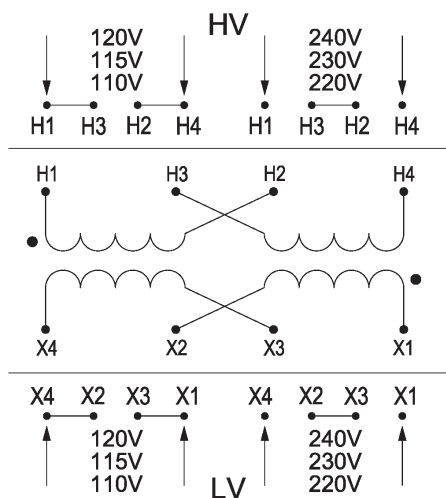
Alta Tensión (HV) (Voltios primarios)	Instale los puentes/ conexiones suministrados entre los terminales	Líneas de alimentación Conecte a	
240 230 220	H1-H3, H2-H4	H1, H4	
480 460 440	H3-H2	H1, H4	
Baja Tensión (LV) (Voltios secundarios)	Barras suministradas instaladas entre los bornes	Líneas de carga Conectar a	Instalar los clips de fusible en
120 115 110	X4-X2, X3-X1	X4, X1	Sin fusionar
240 230 220	X2-X3	X4, X1	Sin fusionar
120 115 110	X4-X2, X3-X1, T2-T1	T1, X1	T2, X4
240 230 220	X2-X3, T2-T1	T1, X1	T2, X4



### NJ - CONEXIONES PARA 277 HV A 120 LV

(Si es secundario de 4 terminales, sin terminales T2 ni T1. Se necesita SFBK10 para la fusión).

Alta Tensión (HV) (Voltios primarios)	Instale los puentes/ conexiones suministrados entre los terminales	Líneas de alimentación Conecte a	
277	NINGUNO	H1, H2	
Baja Tensión (LV) (Voltios secundarios)	Barras suministradas instaladas entre los bornes	Líneas de carga Conectar a	Instalar los clips de fusible en
120 115 110	NINGUNO	X2, X1	Sin fusionar
120 115 110	T2-T1	T1, X1	T2, X2



### PP - CONEXIONES PARA 120X240 HV A 120X240 LV

(Si es secundario de 4 terminales, sin terminales T2 ni T1. Se necesita SFBK10 para la fusión).

#### Alta Tensión (HV) (Voltios primarios)

120 115 110  
240 230 220

#### Instale los puentes/ conexiones suministrados entre los terminales

H1-H3, H2-H4  
H3-H2

#### Líneas de alimentación Conecte a

H1, H4  
H1, H4

#### Baja Tensión (LV) (Voltios secundarios)

120 115 110  
240 230 220  
120 115 110  
240 230 220

#### Barras suministradas instaladas entre los bornes

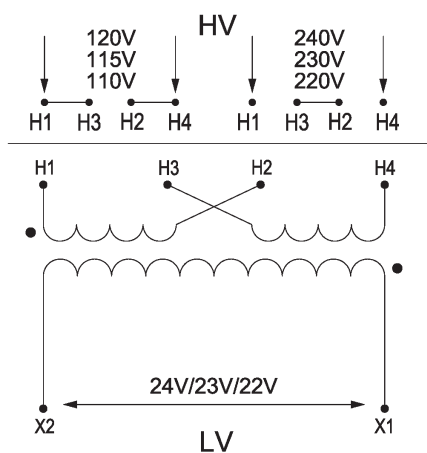
X4-X2, X3-X1  
X2-X3  
X4-X2, X3-X1, T2-T1  
X2-X3, T2-T1

#### Líneas de carga Conectar a

X4, X1  
X4, X1  
T1, X1  
T1, X1

#### Instalar los clips de fusible en

Sin fusionar  
Sin fusionar  
T2, X4  
T2, X4



### PR - CONEXIONES PARA 120X240 HV A 24 LV

(Si es secundario de 4 terminales, sin terminales T2 ni T1. Se necesita SFBK10 para la fusión).

#### Alta Tensión (HV) (Voltios primarios)

120 115 110  
240 230 220

#### Instale los puentes/ conexiones suministrados entre los terminales

H1-H3, H2-H4  
H3-H2

#### Líneas de alimentación Conecte a

H1, H4  
H1, H4

#### Baja Tensión (LV) (Voltios secundarios)

25 24 23  
25 24 23

#### Barras suministradas instaladas entre los bornes

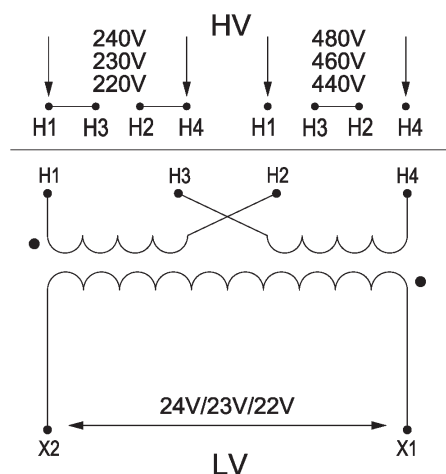
NINGUNO  
T2-T1

#### Líneas de carga Conectar a

X2, X1  
T1, X1

#### Instalar los clips de fusible en

Sin fusionar  
T2, X2



### QR - CONEXIONES PARA 240X480 HV A 24 LV

(Si es secundario de 4 terminales, sin terminales T2 ni T1. Se necesita SFBK10 para la fusión).

#### Alta Tensión (HV) (Voltios primarios)

240 230 220  
480 460 440

#### Instale los puentes/ conexiones suministrados entre los terminales

H1-H3, H2-H4  
H3-H2

#### Líneas de alimentación Conecte a

H1, H4  
H1, H4

#### Baja Tensión (LV) (Voltios secundarios)

25 24 23  
25 24 23

#### Barras suministradas instaladas entre los bornes

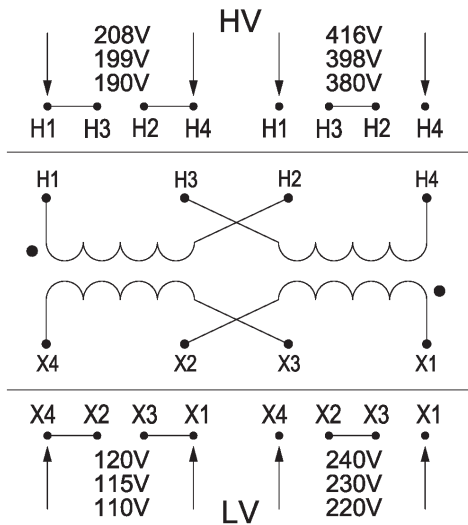
NINGUNO  
T2-T1

#### Líneas de carga Conectar a

X2, X1  
T1, X1

#### Instalar los clips de fusible en

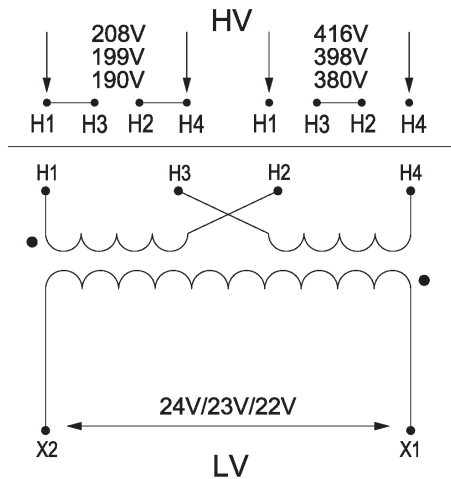
Sin fusionar  
T2, X2



### SP - CONEXIONES PARA 208X416 HV A 120X240 LV

(Si es secundario de 4 terminales, sin terminales T2 ni T1. Se necesita SFBK10 para la fusión).

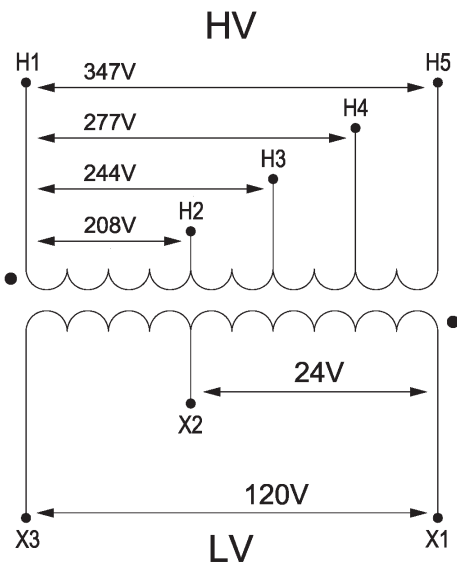
Alta Tensión (HV) (Voltios primarios)	Instale los puentes/ conexiones suministrados entre los terminales	Líneas de alimentación Conecte a	
208 199 190	H1-H3, H2-H4	H1, H4	
416 398 380	H3-H2	H1, H4	
Baja Tensión (LV) (Voltios secundarios)	Barras suministradas instaladas entre los bornes	Líneas de carga Conectar a	Instalar los clips de fusible en
120 115 110	X4-X2, X3-X1	X4, X1	Sin fusionar
240 230 220	X2-X3	X4, X1	Sin fusionar
120 115 110	X4-X2, X3-X1, T2-T1	T1, X1	T2, X4
240 230 220	X2-X3, T2-T1	T1, X1	T2, X4



### SR - CONEXIONES PARA 208X416 A TO 24 LV

(Si es secundario de 4 terminales, sin terminales T2 ni T1. Se necesita SFBK10 para la fusión).

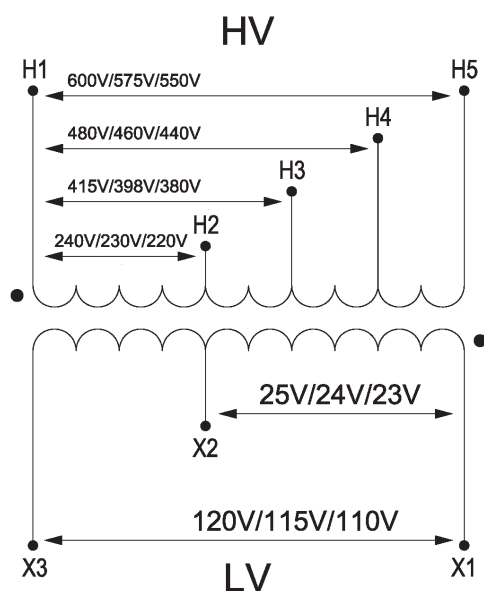
Alta Tensión (HV) (Voltios primarios)	Instale los puentes/ conexiones suministrados entre los terminales	Líneas de alimentación Conecte a	
208 199 190	H1-H3, H2-H4	H1, H4	
416 398 380	H3-H2	H1, H4	
Baja Tensión (LV) (Voltios secundarios)	Barras suministradas instaladas entre los bornes	Líneas de carga Conectar a	Instalar los clips de fusible en
25 24 23	NINGUNO	X2, X1	Sin fusionar
25 24 23	T2-T1	T1, X1	T2, X2



### TI - CONEXIONES PARA 208/240/277/347 HV A 120/24 LV

(Si es secundario de 4 terminales, sin terminales T2 ni T1. Se necesita SFBK10 para la fusión).

Alta Tensión (HV) (Voltios primarios)	Instale los puentes/ conexiones suministrados entre los terminales	Líneas de alimentación Conecte a	
208	NINGUNO	H1, H2	
240	NINGUNO	H1, H3	
277	NINGUNO	H1, H4	
347	NINGUNO	H1, H5	
Baja Tensión (LV) (Voltios secundarios)	Barras suministradas instaladas entre los bornes	Líneas de carga Conectar a	Instalar los clips de fusible en
24	NINGUNO	X2, X1	Sin fusionar
120	NINGUNO	X3, X1	Non fusionné
24	T2-T1	T2, X1	T1, X2
120	T2-T1	T1, X1	T2, X3



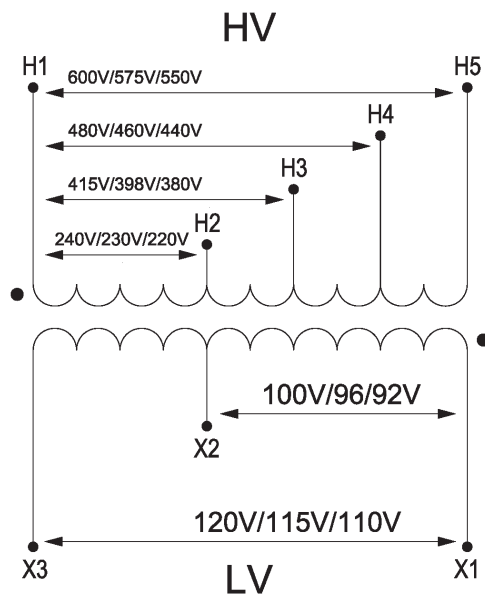
### XI - CONEXIONES PARA 230/400/460/575 HV A 115/24 LV

(Si es secundario de 4 terminales, sin terminales T2 ni T1. Se necesita SFBK10 para la fusión).

Alta Tensión (HV) (Voltios primarios)	Instale los puentes/ conexiones suministrados entre los terminales	Líneas de alimentación Conecte a
240 230 220	NINGUNO	H1, H2
415 398 380	NINGUNO	H1, H3
480 460 440	NINGUNO	H1, H4
600 575 550	NINGUNO	H1, H5

Baja Tensión (LV) (Voltios secundarios)	Barras suministradas instaladas entre los bornes	Líneas de carga Conectar a	Instalar los clips de fusible en
25 24 23	NINGUNO	X2, X1	Sin fusionar
120 115 110	NINGUNO	X3, X1	Sin fusionar
25 24 23	T2-T1	T2, X1	T1, X2
120 115 110	T2-T1	T1, X1	T2, X3



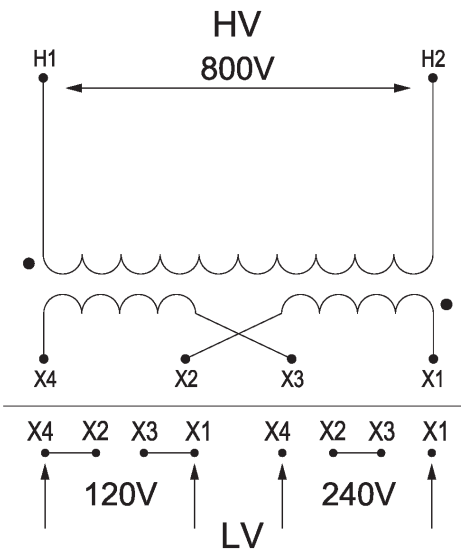
### XMH - CONEXIONES PARA 230/400/460/575 HV A 115/95 LV

(Si es secundario de 4 terminales, sin terminales T2 ni T1. Se necesita SFBK10 para la fusión).

Alta Tensión (HV) (Voltios primarios)	Instale los puentes/ conexiones suministrados entre los terminales	Líneas de alimentación Conecte a
240 230 220	NINGUNO	H1, H2
415 398 380	NINGUNO	H1, H3
480 460 440	NINGUNO	H1, H4
600 575 550	NINGUNO	H1, H5

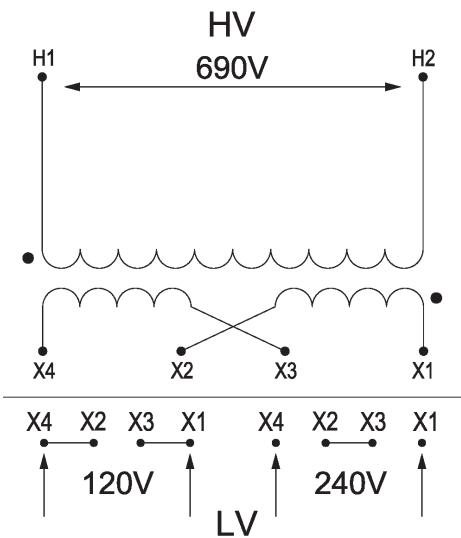
Baja Tensión (LV) (Voltios secundarios)	Barras suministradas instaladas entre los bornes	Líneas de carga Conectar a	Instalar los clips de fusible en
100 96 92	NINGUNO	X2, X1	Sin fusionar
120 115 110	NINGUNO	X3, X1	Sin fusionar
100 96 92	T2-T1	T2, X1	T1, X2
120 115 110	T2-T1	T1, X1	T2, X3



### YJ - CONEXIONES PARA 800 HV A 120X240 LV

(Si es secundario de 4 terminales, sin terminales T2 ni T1. Se necesita SFBK10 para la fusión).

Alta Tensión (HV) (Voltios primarios)	Instale los puentes/ conexiones suministrados entre los terminales	Líneas de alimentación Conecte a	
800	NINGUNO	H1, H2	
Baja Tensión (LV) (Voltios secundarios)	Barras suministradas instaladas entre los bornes	Líneas de carga Conectar a	Instalar los clips de fusible en
120	X4-X2, X3-X1	X4, X1	Sin fusionar
240	X2-X3	X4, X1	Sin fusionar
120	X4-X2, X3-X1, T2-T1	T1, X1	T2, X4
240	X2-X3, T2-T1	T1, X1	T2, X4



### ZJ - CONEXIONES PARA 690 HV A 120X240 LV

(Si es secundario de 4 terminales, sin terminales T2 ni T1. Se necesita SFBK10 para la fusión).

Alta Tensión (HV) (Voltios primarios)	Instale los puentes/ conexiones suministrados entre los terminales	Líneas de alimentación Conecte a	
690	NINGUNO	H1, H2	
Baja Tensión (LV) (Voltios secundarios)	Barras suministradas instaladas entre los bornes	Líneas de carga Conectar a	Instalar los clips de fusible en
120	X4-X2, X3-X1	X4, X1	Sin fusionar
240	X2-X3	X4, X1	Sin fusionar
120	X4-X2, X3-X1, T2-T1	T1, X1	T2, X4
240	X2-X3, T2-T1	T1, X1	T2, X4