

Data subject to change without notice.



GROUP B

PRIMARY VOLTAGE 600 575 550

SECONDARY VOLTAGE 24 23 22

60 Hz

VA Rating	Catalog Number	Mtg Fig	Output Amps	Overall Dimensions			Mounting Centers		Mounting Slot	Height with Fuse Clips	Height with Fuse Block	Approx Ship Weight Lbs	Opt. Pri. Fuse Kit P/N
				A	B	C	D	E	G X H				
50	C2M0050AR	4	2.08	2.99 [76]	3.93 [100]	2.86 [73]	2.52 [64]	2.25 [57]	.22 X .44 [5.6] X [11.1]	N/A	4.16 [106]	1.6	PFBK8
75	C2M0075AR	4	3.13	3.27 [83]	3.93 [100]	3.13 [79]	2.64 [67]	2.50 [64]	.22 X .44 [5.6] X [11.1]	N/A	4.43 [112]	2.2	PFBK8
100	C2M0100AR	4	4.17	3.27 [83]	4.12 [105]	3.13 [79]	2.64 [67]	2.62 [67]	.22 X .44 [5.6] X [11.1]	N/A	4.43 [112]	2.6	PFBK8
150	C2M0150AR	6	6.25	4.02 [102]	3.96 [101]	3.70 [94]	3.39 [86]	2.75 [70]	.22 X .75 [5.6] X [19.1]	4.05 [103]	5.00 [127]	4.0	PFBK8
250	C2M0250AR	6	10.42	4.49 [114]	4.48 [114]	3.70 [94]	3.74 [95]	3.12 [79]	.22 X .75 [5.6] X [19.1]	4.05 [103]	5.00 [127]	5.5	PFBK8
350	C2M0350AR	6	14.58	4.50 [114]	4.95 [126]	4.22 [107]	3.74 [95]	3.75 [95]	.22 X .75 [5.6] X [19.1]	4.57 [116]	5.52 [140]	8.7	PFBK8
500	C2M0500AR	6	20.83	4.75 [121]	5.34 [136]	4.22 [107]	4.06 [103]	3.77 [96]	.31 X .94 [7.9] X [23.8]	4.57 [116]	5.52 [140]	10.3	PFBK8

*Dimensions are in inches [mm]

Data subject to change without notice.

Data subject to change without notice.



GROUP C

PRIMARY VOLTAGE 277/208

SECONDARY VOLTAGE 120X240

50/60 Hz

VA Rating	Catalog Number	Mtg Fig	Output Amps	Overall Dimensions			Mounting Centers		Mounting Slot	Height with Fuse Clips	Height with Fuse Block	Approx Ship Weight Lbs	Opt. Pri. Fuse Kit P/N
				A	B	C	D	E	G X H				
50	C2M0050DJ	4	0.42/0.21	2.99 [76]	3.93 [100]	2.86 [73]	2.52 [64]	2.25 [57]	.22 X .44 [5.6] X [11.1]	N/A	4.16 [106]	1.8	PFBK8
75	C2M0075DJ	4	0.63/0.31	2.99 [76]	4.20 [107]	2.86 [73]	2.52 [64]	2.25 [57]	.22 X .44 [5.6] X [11.1]	N/A	4.16 [106]	2.1	PFBK8
100	C2M0100DJ	4	0.83/0.42	3.27 [83]	4.12 [105]	3.13 [79]	2.64 [67]	2.62 [67]	.22 X .44 [5.6] X [11.1]	N/A	4.43 [112]	2.7	PFBK8
150	C2M0150DJ	6	1.25/0.63	4.02 [102]	3.96 [101]	3.70 [94]	3.39 [86]	2.75 [70]	.22 X .75 [5.6] X [19.1]	4.05 [103]	5.00 [127]	4.2	PFBK8
250	C2M0250DJ	6	2.08/1.04	4.49 [114]	4.67 [119]	3.70 [94]	3.74 [95]	3.75 [95]	.22 X .75 [5.6] X [19.1]	4.05 [103]	5.00 [127]	6.2	PFBK8
350	C2M0350DJ	6	2.92/1.46	4.50 [114]	4.95 [126]	4.22 [107]	3.74 [95]	3.75 [95]	.22 X .75 [5.6] X [19.1]	4.57 [116]	5.52 [140]	8.9	PFBK8
500	C2M0500DJ	6	4.17/2.08	4.75 [121]	5.54 [141]	4.22 [107]	4.06 [103]	3.97 [101]	.31 X .94 [7.9] X [23.8]	4.57 [116]	5.52 [140]	11.1	PFBK8
750	C2M0750DJ	6	6.25/3.13	5.25 [133]	6.19 [157]	4.76 [121]	4.50 [114]	4.05 [103]	.31 X .81 [7.9] X [20.6]	5.07 [129]	6.06 [154]	16.9	PFBK8
1000	C2M1000DJ	6	8.33/4.17	5.25 [133]	6.97 [177]	4.76 [121]	4.50 [114]	4.84 [123]	.31 X .81 [7.9] X [20.6]	5.07 [129]	6.06 [154]	21.6	PFBK8
1500	C2M1500DJ	6	12.50/6.25	6.38 [162]	7.81 [198]	5.70 [145]	5.63 [143]	5.48 [139]	.37 X 1.00 [9.5] X [25.4]	5.85 [149]	7.00 [178]	35.4	PFBK8
2000	C2M2000DJ	6	16.67/8.33	6.38 [162]	8.20 [208]	5.70 [145]	5.63 [143]	5.88 [149]	.37 X 1.00 [9.5] X [25.4]	5.85 [149]	7.00 [178]	38.7	PFBK8

*Dimensions are in inches [mm]

Data subject to change without notice.

Data subject to change without notice.



GROUP D

PRIMARY VOLTAGE 600/480/240 575/460/230 550/440/220

SECONDARY VOLTAGE 120/100 115/95 110/92

50/60 Hz

VA Rating	Catalog Number	Mtg Fig	Output Amps	Overall Dimensions			Mounting Centers		Mounting Slot	Height with Fuse Clips	Height with Fuse Block	Approx Ship Weight Lbs	Opt. Pri. Fuse Kit P/N
				A	B	C	D	E	G X H				
50	C2M0050MBMH	4	0.43	3.27 [83]	4.12 [105]	3.13 [79]	2.64 [67]	2.50 [64]	.22 X .44 [5.6] X [11.1]	N/A	4.43 [112]	2.4	PFBK8
75	C2M0075MBMH	4	0.65	3.27 [83]	4.32 [110]	3.13 [79]	2.64 [67]	2.63 [67]	.22 X .44 [5.6] X [11.1]	N/A	4.43 [112]	2.9	PFBK8
100	C2M0100MBMH	6	0.87	4.02 [102]	3.96 [101]	3.70 [94]	3.39 [86]	2.75 [70]	.22 X .75 [5.6] X [19.1]	4.05 [103]	5.00 [127]	3.8	PFBK8
150	C2M0150MBMH	6	1.30	4.02 [102]	4.48 [114]	3.70 [94]	3.39 [86]	2.75 [70]	.22 X .75 [5.6] X [19.1]	4.05 [103]	5.00 [127]	5.3	PFBK8
250	C2M0250MBMH	6	2.17	4.49 [114]	5.07 [129]	3.70 [94]	3.74 [95]	3.75 [95]	.22 X .75 [5.6] X [19.1]	4.05 [103]	5.00 [127]	7.2	PFBK8
350	C2M0350MBMH	6	3.04	4.75 [121]	5.34 [136]	4.22 [107]	4.06 [103]	3.77 [96]	.31 X .94 [7.9] X [23.8]	4.57 [116]	5.52 [140]	10.2	PFBK8
500	C2M0500MBMH	6	4.35	4.75 [121]	6.05 [154]	4.22 [107]	4.06 [103]	4.48 [114]	.31 X .94 [7.9] X [23.8]	4.57 [116]	5.52 [140]	13.0	PFBK8
750	C2M0750MBMH	6	6.52	5.25 [133]	6.97 [177]	4.76 [121]	4.50 [114]	4.84 [123]	.31 X .81 [7.9] X [20.6]	5.07 [129]	6.06 [154]	21.0	PFBK8
1000	C2M1000MBMH	6	8.70	5.25 [133]	7.96 [202]	4.76 [121]	4.50 [114]	5.82 [148]	.31 X .81 [7.9] X [20.6]	5.07 [129]	6.06 [154]	26.3	PFBK8
1500	C2M1500MBMH	6	13.04	6.38 [162]	8.20 [208]	5.70 [145]	5.63 [143]	5.88 [149]	.37 X 1.00 [9.5] X [25.4]	5.85 [149]	7.00 [178]	37.6	PFBK8
2000	C2M2000MBMH	6	17.39	7.50 [191]	9.06 [230]	6.67 [169]	6.75 [171]	6.27 [159]	.37 X 1.00 [9.5] X [25.4]	6.67 [169]	7.97 [202]	55.5	PFBK8

*Dimensions are in inches [mm]

Data subject to change without notice.

Data subject to change without notice.



GROUP E

PRIMARY VOLTAGE 415/400/380

SECONDARY VOLTAGE 110X220

50/60 Hz

VA Rating	Catalog Number	Mtg Fig	Output Amps	Overall Dimensions			Mounting Centers		Mounting Slot	Height with Fuse Clips	Height with Fuse Block	Approx Ship Weight Lbs	Opt. Pri. Fuse Kit P/N
				A	B	C	D	E	G X H				
50	C2M0050MEMX	4	0.45/0.23	2.99 [76]	4.40 [112]	2.86 [73]	2.52 [64]	2.25 [57]	.22 X .44 [5.6] X [11.1]	N/A	4.16 [106]	2.2	PFBK8
75	C2M0075MEMX	4	0.68/0.34	3.27 [83]	4.12 [105]	3.13 [79]	2.64 [67]	2.50 [64]	.22 X .44 [5.6] X [11.1]	N/A	4.43 [112]	2.5	PFBK8
100	C2M0100MEMX	4	0.91/0.45	3.27 [83]	4.32 [110]	3.13 [79]	2.64 [67]	2.63 [67]	.22 X .44 [5.6] X [11.1]	N/A	4.43 [112]	2.9	PFBK8
150	C2M0150MEMX	6	1.36/0.68	4.02 [102]	3.96 [101]	3.70 [94]	3.39 [86]	2.75 [70]	.22 X .75 [5.6] X [19.1]	4.05 [103]	5.00 [127]	4.0	PFBK8
250	C2M0250MEMX	6	2.27/1.14	4.49 [114]	4.48 [114]	3.70 [94]	3.74 [95]	3.12 [79]	.22 X .75 [5.6] X [19.1]	4.05 [103]	5.00 [127]	5.7	PFBK8
350	C2M0350MEMX	6	3.18/1.59	4.50 [114]	4.56 [116]	4.22 [107]	3.74 [95]	3.75 [95]	.22 X .75 [5.6] X [19.1]	4.57 [116]	5.52 [140]	7.6	PFBK8
500	C2M0500MEMX	6	4.55/2.27	4.75 [121]	5.34 [136]	4.22 [107]	4.06 [103]	3.77 [96]	.31 X .94 [7.9] X [23.8]	4.57 [116]	5.52 [140]	10.7	PFBK8
750	C2M0750MEMX	6	6.82/3.41	5.25 [133]	6.19 [157]	4.76 [121]	4.50 [114]	4.05 [103]	.31 X .81 [7.9] X [20.6]	5.07 [129]	6.06 [154]	16.5	PFBK8
1000	C2M1000MEMX	6	9.09/4.55	5.25 [133]	6.97 [177]	4.76 [121]	4.50 [114]	4.84 [123]	.31 X .81 [7.9] X [20.6]	5.07 [129]	6.06 [154]	21.3	PFBK8
1500	C2M1500MEMX	6	13.64/6.82	6.38 [162]	7.81 [198]	5.70 [145]	5.63 [143]	5.48 [139]	.37 X 1.00 [9.5] X [25.4]	5.85 [149]	7.00 [178]	34.6	PFBK8
2000	C2M2000MEMX	6	18.18/9.09	7.50 [191]	9.06 [230]	6.67 [169]	6.75 [171]	6.27 [159]	.37 X 1.00 [9.5] X [25.4]	6.67 [169]	7.97 [202]	51.7	PFBK8

*Dimensions are in inches [mm]

Data subject to change without notice.

Data subject to change without notice.



GROUP F

PRIMARY VOLTAGE 380/277/208

SECONDARY VOLTAGE 120X240

50/60 Hz

VA Rating	Catalog Number	Mtg Fig	Output Amps	Overall Dimensions			Mounting Centers		Mounting Slot	Height with Fuse Clips	Height with Fuse Block	Approx Ship Weight Lbs	Opt. Pri. Fuse Kit P/N
				A	B	C	D	E	G X H				
50	C2M0050MGJ	4	0.42/0.21	2.99 [76]	4.20 [107]	2.86 [73]	2.52 [64]	2.25 [57]	.22 X .44 [5.6] X [11.1]	N/A	4.16 [106]	2.0	PFBK8
75	C2M0075MGJ	4	0.63/0.31	3.27 [83]	4.32 [110]	3.13 [79]	2.64 [67]	2.63 [67]	.22 X .44 [5.6] X [11.1]	N/A	4.43 [112]	2.8	PFBK8
100	C2M0100MGJ	4	0.83/0.42	3.27 [83]	4.52 [115]	3.13 [79]	2.64 [67]	2.63 [67]	.22 X .44 [5.6] X [11.1]	N/A	4.43 [112]	3.5	PFBK8
150	C2M0150MGJ	6	1.25/0.63	4.02 [102]	4.48 [114]	3.70 [94]	3.39 [86]	2.75 [70]	.22 X .75 [5.6] X [19.1]	4.05 [103]	5.00 [127]	5.1	PFBK8
250	C2M0250MGJ	6	2.08/1.04	4.49 [114]	4.67 [119]	3.70 [94]	3.74 [95]	3.75 [95]	.22 X .75 [5.6] X [19.1]	4.05 [103]	5.00 [127]	6.2	PFBK8
350	C2M0350MGJ	6	2.92/1.46	4.50 [114]	4.95 [126]	4.22 [107]	3.74 [95]	3.75 [95]	.22 X .75 [5.6] X [19.1]	4.57 [116]	5.52 [140]	8.9	PFBK8
500	C2M0500MGJ	6	4.17/2.08	4.75 [121]	6.05 [154]	4.22 [107]	4.06 [103]	4.48 [114]	.31 X .94 [7.9] X [23.8]	4.57 [116]	5.52 [140]	12.5	PFBK8
750	C2M0750MGJ	6	6.25/3.13	5.25 [133]	6.97 [177]	4.76 [121]	4.50 [114]	4.84 [123]	.31 X .81 [7.9] X [20.6]	5.07 [129]	6.06 [154]	19.8	PFBK8
1000	C2M1000MGJ	6	8.33/4.17	5.25 [133]	7.37 [187]	4.76 [121]	4.50 [114]	5.48 [139]	.37 X 1.00 [9.5] X [25.4]	5.07 [129]	6.06 [154]	23.3	PFBK8
1500	C2M1500MGJ	6	12.50/6.25	6.38 [162]	8.20 [208]	5.70 [145]	5.63 [143]	5.88 [149]	.37 X 1.00 [9.5] X [25.4]	5.85 [149]	7.00 [178]	37.4	PFBK8
2000	C2M2000MGJ	6	16.67/8.33	7.50 [191]	9.06 [230]	6.67 [169]	6.75 [171]	6.27 [159]	.37 X 1.00 [9.5] X [25.4]	6.67 [169]	7.97 [202]	52.9	PFBK8

*Dimensions are in inches [mm]

Data subject to change without notice.

Data subject to change without notice.



GROUP G

PRIMARY VOLTAGE 480/240/217 460/230/208 440/220/200

SECONDARY VOLTAGE 120/25 115/24 110/23

50/60 Hz

VA Rating	Catalog Number	Mtg Fig	Output Amps	Overall Dimensions			Mounting Centers		Mounting Slot	Height with Fuse Clips	Height with Fuse Block	Approx Ship Weight Lbs	Opt. Pri. Fuse Kit P/N
				A	B	C	D	E	G X H				
50	C2M0050MLI	4	0.43/2.08	3.27 [83]	4.12 [105]	3.13 [79]	2.64 [67]	2.50 [64]	.22 X .44 [5.6] X [11.1]	N/A	4.43 [112]	2.5	PFBK8
75	C2M0075MLI	4	0.65/3.13	3.27 [83]	4.32 [110]	3.13 [79]	2.64 [67]	2.62 [67]	.22 X .44 [5.6] X [11.1]	N/A	4.43 [112]	3.0	PFBK8
100	C2M0100MLI	6	0.87/4.17	4.02 [102]	3.96 [101]	3.70 [94]	3.39 [86]	2.75 [70]	.22 X .75 [5.6] X [19.1]	4.05 [103]	5.00 [127]	3.9	PFBK8
150	C2M0150MLI	6	1.30/6.25	4.02 [102]	4.48 [114]	3.70 [94]	3.39 [86]	2.75 [70]	.22 X .75 [5.6] X [19.1]	4.05 [103]	5.00 [127]	5.3	PFBK8
250	C2M0250MLI	6	2.17/10.42	4.50 [114]	4.95 [126]	4.22 [107]	3.74 [95]	3.75 [95]	.22 X .75 [5.6] X [19.1]	4.57 [116]	5.52 [140]	8.5	PFBK8
350	C2M0350MLI	6	3.04/14.58	4.75 [121]	5.54 [141]	4.22 [107]	4.06 [103]	3.97 [101]	.31 X .94 [7.9] X [23.8]	4.57 [116]	5.52 [140]	10.8	PFBK8
500	C2M0500MLI	6	4.35/20.83	4.75 [121]	6.05 [154]	4.22 [107]	4.06 [103]	4.48 [114]	.31 X .94 [7.9] X [23.8]	4.57 [116]	5.52 [140]	13.3	PFBK8
750	C2M0750MLI	6	6.52/31.25	5.25 [133]	6.97 [177]	4.76 [121]	4.50 [114]	4.84 [123]	.31 X .81 [7.9] X [20.6]	5.07 [129]	6.06 [154]	21.3	PFBK8
1000	C2M1000MLI	6	8.70/41.67	6.37 [162]	7.41 [188]	5.70 [145]	5.63 [143]	5.09 [129]	.37 X 1.00 [9.5] X [25.4]	5.85 [149]	7.00 [178]	30.3	PFBK8

*Dimensions are in inches [mm]

Data subject to change without notice.

Data subject to change without notice.



GROUP H

PRIMARY VOLTAGE 240X480 230X460 220X440

SECONDARY VOLTAGE 120X240 115X230 110X220

50/60 Hz

VA Rating	Catalog Number	Mtg Fig	Output Amps	Overall Dimensions			Mounting Centers		Mounting Slot	Height with Fuse Clips	Height with Fuse Block	Approx Ship Weight Lbs	Opt. Pri. Fuse Kit P/N
				A	B	C	D	E	G X H				
50	C2M0050MQMJ	4	0.42/0.21	2.99 [76]	4.40 [112]	2.86 [73]	2.52 [64]	2.25 [57]	.22 X .44 [5.6] X [11.1]	N/A	4.16 [106]	2.2	PFBK8
75	C2M0075MQMJ	4	0.63/0.31	2.99 [76]	4.20 [107]	2.86 [73]	2.52 [64]	2.25 [57]	.22 X .44 [5.6] X [11.1]	N/A	4.16 [106]	2.1	PFBK8
100	C2M0100MQMJ	4	0.83/0.42	3.27 [83]	4.32 [110]	3.13 [79]	2.64 [67]	2.63 [67]	.22 X .44 [5.6] X [11.1]	N/A	4.43 [112]	2.9	PFBK8
150	C2M0150MQMJ	6	1.25/0.63	4.02 [102]	3.96 [101]	3.70 [94]	3.39 [86]	2.75 [70]	.22 X .75 [5.6] X [19.1]	4.05 [103]	5.00 [127]	4.1	PFBK8
250	C2M0250MQMJ	6	2.08/1.04	4.49 [114]	4.48 [114]	3.70 [94]	3.74 [95]	3.12 [79]	.22 X .75 [5.6] X [19.1]	4.05 [103]	5.00 [127]	5.7	PFBK8
350	C2M0350MQMJ	6	2.92/1.46	4.49 [114]	5.26 [134]	3.70 [94]	3.74 [95]	3.75 [95]	.22 X .75 [5.6] X [19.1]	4.05 [103]	5.00 [127]	7.7	PFBK8
500	C2M0500MQMJ	6	4.17/2.08	4.75 [121]	5.34 [136]	4.22 [107]	4.06 [103]	3.77 [96]	.31 X .94 [7.9] X [23.8]	4.57 [116]	5.52 [140]	10.6	PFBK8
750	C2M0750MQMJ	6	6.25/3.13	5.25 [133]	6.19 [157]	4.76 [121]	4.50 [114]	4.05 [103]	.31 X .81 [7.9] X [20.6]	5.07 [129]	6.06 [154]	17.0	PFBK8
1000	C2M1000MQMJ	6	8.33/4.17	5.25 [133]	6.97 [177]	4.76 [121]	4.50 [114]	4.84 [123]	.31 X .81 [7.9] X [20.6]	5.07 [129]	6.06 [154]	21.2	PFBK8
1500	C2M1500MQMJ	6	12.50/6.25	6.38 [162]	7.81 [198]	5.70 [145]	5.63 [143]	5.48 [139]	.37 X 1.00 [9.5] X [25.4]	5.85 [149]	7.00 [178]	35.6	PFBK9
2000	C2M2000MQMJ	6	16.67/8.33	6.38 [162]	8.20 [208]	5.70 [145]	5.63 [143]	5.88 [149]	.37 X 1.00 [9.5] X [25.4]	5.85 [149]	7.00 [178]	39.0	PFBK10

*Dimensions are in inches [mm]

Data subject to change without notice.

Data subject to change without notice.



GROUP I

PRIMARY VOLTAGE 208X416 199X398 190X380

SECONDARY VOLTAGE 120X240 115X230 110X220

50/60 Hz

VA Rating	Catalog Number	Mtg Fig	Output Amps	Overall Dimensions			Mounting Centers		Mounting Slot	Height with Fuse Clips	Height with Fuse Block	Approx Ship Weight Lbs	Opt. Pri. Fuse Kit P/N
				A	B	C	D	E	G X H				
50	C2M0050PP	4	0.42/0.21	2.99 [76]	4.40 [112]	2.86 [73]	2.52 [64]	2.25 [57]	.22 X .44 [5.6] X [11.1]	N/A	4.16 [106]	2.2	PFBK8
75	C2M0075PP	4	0.63/0.31	3.27 [83]	3.93 [100]	3.13 [79]	2.64 [67]	2.50 [64]	.22 X .44 [5.6] X [11.1]	N/A	4.43 [112]	2.3	PFBK8
100	C2M0100PP	4	0.83/0.42	3.27 [83]	4.32 [110]	3.13 [79]	2.64 [67]	2.63 [67]	.22 X .44 [5.6] X [11.1]	N/A	4.43 [112]	2.9	PFBK8
150	C2M0150PP	6	1.25/0.63	4.02 [102]	3.96 [101]	3.70 [94]	3.39 [86]	2.75 [70]	.22 X .75 [5.6] X [19.1]	4.05 [103]	5.00 [127]	4.1	PFBK8
250	C2M0250PP	6	2.08/1.04	4.49 [114]	4.48 [114]	3.70 [94]	3.74 [95]	3.12 [79]	.22 X .75 [5.6] X [19.1]	4.05 [103]	5.00 [127]	5.7	PFBK8
350	C2M0350PP	6	2.92/1.46	4.50 [114]	4.95 [126]	4.22 [107]	3.74 [95]	3.75 [95]	.22 X .75 [5.6] X [19.1]	4.57 [116]	5.52 [140]	8.7	PFBK8
500	C2M0500PP	6	4.17/2.08	4.75 [121]	5.34 [136]	4.22 [107]	4.06 [103]	3.77 [96]	.31 X .94 [7.9] X [23.8]	4.57 [116]	5.52 [140]	10.7	PFBK8
750	C2M0750PP	6	6.25/3.13	5.25 [133]	6.19 [157]	4.76 [121]	4.50 [114]	4.05 [103]	.31 X .81 [7.9] X [20.6]	5.07 [129]	6.06 [154]	17.0	PFBK8
1000	C2M1000PP	6	8.33/4.17	5.25 [133]	6.97 [177]	4.76 [121]	4.50 [114]	4.84 [123]	.31 X .81 [7.9] X [20.6]	5.07 [129]	6.06 [154]	21.2	PFBK8
1500	C2M1500PP	6	12.50/6.25	6.38 [162]	8.20 [208]	5.70 [145]	5.63 [143]	5.88 [149]	.37 X 1.00 [9.5] X [25.4]	5.85 [149]	7.00 [178]	37.3	PFBK9
2000	C2M2000PP	6	16.67/8.33	6.38 [162]	8.20 [208]	5.70 [145]	5.63 [143]	5.88 [149]	.37 X 1.00 [9.5] X [25.4]	5.70 [145]	7.00 [178]	39.1	PFBK10

*Dimensions are in inches [mm]

Data subject to change without notice.

Data subject to change without notice.



GROUP J

PRIMARY VOLTAGE 120X240

SECONDARY VOLTAGE 24

50/60 Hz

VA Rating	Catalog Number	Mtg Fig	Output Amps	Overall Dimensions			Mounting Centers		Mounting Slot	Height with Fuse Clips	Height with Fuse Block	Approx Ship Weight Lbs	Opt. Pri. Fuse Kit P/N
				A	B	C	D	E	G X H				
50	C2M0050PR	4	2.08	2.99 [76]	4.40 [112]	2.86 [73]	2.52 [64]	2.25 [57]	.22 X .44 [5.6] X [11.1]	N/A	4.16 [106]	2.2	PFBK8
75	C2M0075PR	4	3.13	2.99 [76]	4.20 [107]	2.86 [73]	2.52 [64]	2.25 [57]	.22 X .44 [5.6] X [11.1]	N/A	4.16 [106]	2.1	PFBK8
100	C2M0100PR	4	4.17	3.27 [83]	4.32 [110]	3.13 [79]	2.64 [67]	2.62 [67]	.22 X .44 [5.6] X [11.1]	N/A	4.43 [112]	2.9	PFBK8
150	C2M0150PR	6	6.25	4.02 [102]	3.96 [101]	3.70 [94]	3.39 [86]	2.75 [70]	.22 X .75 [5.6] X [19.1]	4.05 [103]	5.00 [127]	4.1	PFBK8
250	C2M0250PR	6	10.42	4.49 [114]	4.48 [114]	3.70 [94]	3.74 [95]	3.12 [79]	.22 X .75 [5.6] X [19.1]	4.05 [103]	5.00 [127]	5.8	PFBK8
350	C2M0350PR	6	14.58	4.50 [114]	4.95 [126]	4.22 [107]	3.74 [95]	3.75 [95]	.22 X .75 [5.6] X [19.1]	4.57 [116]	5.52 [140]	8.8	PFBK8
500	C2M0500PR	6	20.83	4.75 [121]	5.34 [136]	4.22 [107]	4.06 [103]	3.77 [96]	.31 X .94 [7.9] X [23.8]	4.57 [116]	5.52 [140]	10.6	PFBK8
750	C2M0750PR	6	31.25	5.25 [133]	5.79 [147]	4.76 [121]	4.50 [114]	3.66 [93]	.31 X .81 [7.9] X [20.6]	5.07 [129]	6.06 [154]	14.7	PFBK8
1000	C2M1000PR	6	41.67	5.25 [133]	6.97 [177]	4.76 [121]	4.50 [114]	4.84 [123]	.31 X .81 [7.9] X [20.6]	5.07 [129]	6.06 [154]	20.8	PFBK8

*Dimensions are in inches [mm]

Data subject to change without notice.

Data subject to change without notice.



GROUP K

PRIMARY VOLTAGE 240X480

SECONDARY VOLTAGE 24

50/60 Hz

VA Rating	Catalog Number	Mtg Fig	Output Amps	Overall Dimensions			Mounting Centers		Mounting Slot	Height with Fuse Clips	Height with Fuse Block	Approx Ship Weight Lbs	Opt. Pri. Fuse Kit P/N
				A	B	C	D	E	G X H				
50	C2M0050QR	4	2.08	2.99 [76]	4.40 [112]	2.86 [73]	2.52 [64]	2.25 [57]	.22 X .44 [5.6] X [11.1]	N/A	4.16 [106]	2.2	PFBK8
75	C2M0075QR	4	3.13	3.27 [83]	3.93 [100]	3.13 [79]	2.64 [67]	2.50 [64]	.22 X .44 [5.6] X [11.1]	N/A	4.43 [112]	2.3	PFBK8
100	C2M0100QR	4	4.17	3.27 [83]	4.32 [110]	3.13 [79]	2.64 [67]	2.63 [67]	.22 X .44 [5.6] X [11.1]	N/A	4.43 [112]	2.9	PFBK8
150	C2M0150QR	6	6.25	4.02 [102]	3.96 [101]	3.70 [94]	3.39 [86]	2.75 [70]	.22 X .75 [5.6] X [19.1]	4.05 [103]	5.00 [127]	4.1	PFBK8
250	C2M0250QR	6	10.42	4.49 [114]	4.67 [119]	3.70 [94]	3.74 [95]	3.75 [95]	.22 X .75 [5.6] X [19.1]	4.05 [103]	5.00 [127]	6.2	PFBK8
350	C2M0350QR	6	14.58	4.50 [114]	4.95 [126]	4.22 [107]	3.74 [95]	3.75 [95]	.22 X .75 [5.6] X [19.1]	4.57 [116]	5.52 [140]	8.7	PFBK8
500	C2M0500QR	6	20.83	4.75 [121]	5.34 [136]	4.22 [107]	4.06 [103]	3.77 [96]	.31 X .94 [7.9] X [23.8]	4.57 [116]	5.52 [140]	10.6	PFBK8

*Dimensions are in inches [mm]

Data subject to change without notice.

Data subject to change without notice.



GROUP L

PRIMARY VOLTAGE 208X416 199X398 190X380

SECONDARY VOLTAGE 120X240 115X230 110X220

50/60 Hz

VA Rating	Catalog Number	Mtg Fig	Output Amps	Overall Dimensions			Mounting Centers		Mounting Slot	Height with Fuse Clips	Height with Fuse Block	Approx Ship Weight Lbs	Opt. Pri. Fuse Kit P/N
				A	B	C	D	E	G X H				
50	C2M0050SP	4	0.42/0.21	2.99 [76]	4.40 [112]	2.86 [73]	2.52 [64]	2.25 [57]	.22 X .44 [5.6] X [11.1]	N/A	4.16 [106]	2.2	PFBK8
75	C2M0075SP	4	0.63/0.31	3.27 [83]	3.93 [100]	3.13 [79]	2.64 [67]	2.50 [64]	.22 X .44 [5.6] X [11.1]	N/A	4.43 [112]	2.2	PFBK8
100	C2M0100SP	4	0.83/0.42	3.27 [83]	4.32 [110]	3.13 [79]	2.64 [67]	2.63 [67]	.22 X .44 [5.6] X [11.1]	N/A	4.43 [112]	2.9	PFBK8
150	C2M0150SP	6	1.25/0.63	4.02 [102]	3.96 [101]	3.70 [94]	3.39 [86]	2.75 [70]	.22 X .75 [5.6] X [19.1]	4.05 [103]	5.00 [127]	4.1	PFBK8
250	C2M0250SP	6	2.08/1.04	4.49 [114]	4.67 [119]	3.70 [94]	3.74 [95]	3.75 [95]	.22 X .75 [5.6] X [19.1]	4.05 [103]	5.00 [127]	6.2	PFBK8
350	C2M0350SP	6	2.92/1.46	4.50 [114]	4.95 [126]	4.22 [107]	3.74 [95]	3.75 [95]	.22 X .75 [5.6] X [19.1]	4.57 [116]	5.52 [140]	8.8	PFBK8
500	C2M0500SP	6	4.17/2.08	4.75 [121]	5.34 [136]	4.22 [107]	4.06 [103]	3.77 [96]	.31 X .94 [7.9] X [23.8]	4.57 [116]	5.52 [140]	10.8	PFBK8
750	C2M0750SP	6	6.25/3.13	5.25 [133]	6.19 [157]	4.76 [121]	4.50 [114]	4.05 [103]	.31 X .81 [7.9] X [20.6]	5.07 [129]	6.06 [154]	16.7	PFBK9
1000	C2M1000SP	6	8.33/4.17	5.25 [133]	6.97 [177]	4.76 [121]	4.50 [114]	4.84 [123]	.31 X .81 [7.9] X [20.6]	5.07 [129]	6.06 [154]	21.4	PFBK10
1500	C2M1500SP	6	12.50/6.25	6.38 [162]	7.81 [198]	5.70 [145]	5.63 [143]	5.48 [139]	.37 X 1.00 [9.5] X [25.4]	5.85 [149]	7.00 [178]	36.0	PFBK11
2000	C2M2000SP	6	16.67/8.33	7.50 [191]	9.06 [230]	6.67 [169]	6.75 [171]	6.27 [159]	.37 X 1.00 [9.5] X [25.4]	6.67 [169]	7.97 [202]	52.6	PFBK12

*Dimensions are in inches [mm]

Data subject to change without notice.

MOUNTING FIGURES

Fig. 4

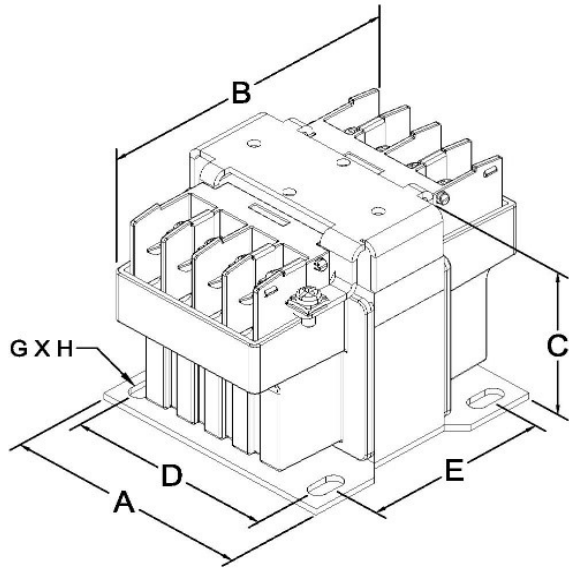


Fig. 6

