

GROUPE B

TENSION PRIMAIRE 600 575 550

TENSION SECONDAIRE 24 23 22

60 Hz

VA	numéro de catalogue	Fig. montage	Courant de sortie	Dimensions			Centres de montage		Fente de montage	Hauteur avec clips fusibles	Hauteur avec bloc fusible	Pds. approx. de transport (lbs)	N/P kit fus. pri. opt.
				A	B	C	D	E	G X H				
50	C2M0050AR	4	2.08	2.99 [76]	3.93 [100]	2.86 [73]	2.52 [64]	2.25 [57]	.22 X .44 [5.6] X [11.1]	N/A	4.16 [106]	1.6	PFBK8
75	C2M0075AR	4	3.13	3.27 [83]	3.93 [100]	3.13 [79]	2.64 [67]	2.50 [64]	.22 X .44 [5.6] X [11.1]	N/A	4.43 [112]	2.2	PFBK8
100	C2M0100AR	4	4.17	3.27 [83]	4.12 [105]	3.13 [79]	2.64 [67]	2.62 [67]	.22 X .44 [5.6] X [11.1]	N/A	4.43 [112]	2.6	PFBK8
150	C2M0150AR	6	6.25	4.02 [102]	3.96 [101]	3.70 [94]	3.39 [86]	2.75 [70]	.22 X .75 [5.6] X [19.1]	4.05 [103]	5.00 [127]	4.0	PFBK8
250	C2M0250AR	6	10.42	4.49 [114]	4.48 [114]	3.70 [94]	3.74 [95]	3.12 [79]	.22 X .75 [5.6] X [19.1]	4.05 [103]	5.00 [127]	5.5	PFBK8
350	C2M0350AR	6	14.58	4.50 [114]	4.95 [126]	4.22 [107]	3.74 [95]	3.75 [95]	.22 X .75 [5.6] X [19.1]	4.57 [116]	5.52 [140]	8.7	PFBK8
500	C2M0500AR	6	20.83	4.75 [121]	5.34 [136]	4.22 [107]	4.06 [103]	3.77 [96]	.31 X .94 [7.9] X [23.8]	4.57 [116]	5.52 [140]	10.3	PFBK8

*Les dimensions sont exprimées en pouces [mm].

GROUPE C

TENSION PRIMAIRE

277/208

TENSION SECONDAIRE

120X240

50/60 Hz

VA	Numéro de catalogue	Fig. montage	Courant de sortie	Dimensions			Centres de montage		Fente de montage	Hauteur avec clips fusibles	Hauteur avec bloc fusible	Pds. approx. de transport (lbs)	N/P kit fus. pri. opt.
				A	B	C	D	E	G X H				
50	C2M0050DJ	4	0.42/0.21	2.99 [76]	3.93 [100]	2.86 [73]	2.52 [64]	2.25 [57]	.22 X .44 [5.6] X [11.1]	N/A	4.16 [106]	1.8	PFBK8
75	C2M0075DJ	4	0.63/0.31	2.99 [76]	4.20 [107]	2.86 [73]	2.52 [64]	2.25 [57]	.22 X .44 [5.6] X [11.1]	N/A	4.16 [106]	2.1	PFBK8
100	C2M0100DJ	4	0.83/0.42	3.27 [83]	4.12 [105]	3.13 [79]	2.64 [67]	2.62 [67]	.22 X .44 [5.6] X [11.1]	N/A	4.43 [112]	2.7	PFBK8
150	C2M0150DJ	6	1.25/0.63	4.02 [102]	3.96 [101]	3.70 [94]	3.39 [86]	2.75 [70]	.22 X .75 [5.6] X [19.1]	4.05 [103]	5.00 [127]	4.2	PFBK8
250	C2M0250DJ	6	2.08/1.04	4.49 [114]	4.67 [119]	3.70 [94]	3.74 [95]	3.75 [95]	.22 X .75 [5.6] X [19.1]	4.05 [103]	5.00 [127]	6.2	PFBK8
350	C2M0350DJ	6	2.92/1.46	4.50 [114]	4.95 [126]	4.22 [107]	3.74 [95]	3.75 [95]	.22 X .75 [5.6] X [19.1]	4.57 [116]	5.52 [140]	8.9	PFBK8
500	C2M0500DJ	6	4.17/2.08	4.75 [121]	5.54 [141]	4.22 [107]	4.06 [103]	3.97 [101]	.31 X .94 [7.9] X [23.8]	4.57 [116]	5.52 [140]	11.1	PFBK8
750	C2M0750DJ	6	6.25/3.13	5.25 [133]	6.19 [157]	4.76 [121]	4.50 [114]	4.05 [103]	.31 X .81 [7.9] X [20.6]	5.07 [129]	6.06 [154]	16.9	PFBK8
1000	C2M1000DJ	6	8.33/4.17	5.25 [133]	6.97 [177]	4.76 [121]	4.50 [114]	4.84 [123]	.31 X .81 [7.9] X [20.6]	5.07 [129]	6.06 [154]	21.6	PFBK8
1500	C2M1500DJ	6	12.50/6.25	6.38 [162]	7.81 [198]	5.70 [145]	5.63 [143]	5.48 [139]	.37 X 1.00 [9.5] X [25.4]	5.85 [149]	7.00 [178]	35.4	PFBK8
2000	C2M2000DJ	6	16.67/8.33	6.38 [162]	8.20 [208]	5.70 [145]	5.63 [143]	5.88 [149]	.37 X 1.00 [9.5] X [25.4]	5.85 [149]	7.00 [178]	38.7	PFBK8

*Les dimensions sont exprimées en pouces [mm].

GROUPE D

TENSION PRIMAIRE 600/480/240 575/460/230 550/440/220

TENSION SECONDAIRE 120/100 115/95 110/92

50/60 Hz

VA	Numéro de catalogue	Fig. montage	Courant de sortie	Dimensions			Centres de montage		Fente de montage	Hauteur avec clips fusibles	Hauteur avec bloc fusible	Pds. approx. de transport (lbs)	N/P kit fus. pri. opt.
				A	B	C	D	E	G X H				
50	C2M0050MBMH	4	0.43	3.27 [83]	4.12 [105]	3.13 [79]	2.64 [67]	2.50 [64]	.22 X .44 [5.6] X [11.1]	N/A	4.43 [112]	2.4	PFBK8
75	C2M0075MBMH	4	0.65	3.27 [83]	4.32 [110]	3.13 [79]	2.64 [67]	2.63 [67]	.22 X .44 [5.6] X [11.1]	N/A	4.43 [112]	2.9	PFBK8
100	C2M0100MBMH	6	0.87	4.02 [102]	3.96 [101]	3.70 [94]	3.39 [86]	2.75 [70]	.22 X .75 [5.6] X [19.1]	4.05 [103]	5.00 [127]	3.8	PFBK8
150	C2M0150MBMH	6	1.30	4.02 [102]	4.48 [114]	3.70 [94]	3.39 [86]	2.75 [70]	.22 X .75 [5.6] X [19.1]	4.05 [103]	5.00 [127]	5.3	PFBK8
250	C2M0250MBMH	6	2.17	4.49 [114]	5.07 [129]	3.70 [94]	3.74 [95]	3.75 [95]	.22 X .75 [5.6] X [19.1]	4.05 [103]	5.00 [127]	7.2	PFBK8
350	C2M0350MBMH	6	3.04	4.75 [121]	5.34 [136]	4.22 [107]	4.06 [103]	3.77 [96]	.31 X .94 [7.9] X [23.8]	4.57 [116]	5.52 [140]	10.2	PFBK8
500	C2M0500MBMH	6	4.35	4.75 [121]	6.05 [154]	4.22 [107]	4.06 [103]	4.48 [114]	.31 X .94 [7.9] X [23.8]	4.57 [116]	5.52 [140]	13.0	PFBK8
750	C2M0750MBMH	6	6.52	5.25 [133]	6.97 [177]	4.76 [121]	4.50 [114]	4.84 [123]	.31 X .81 [7.9] X [20.6]	5.07 [129]	6.06 [154]	21.0	PFBK8
1000	C2M1000MBMH	6	8.70	5.25 [133]	7.96 [202]	4.76 [121]	4.50 [114]	5.82 [148]	.31 X .81 [7.9] X [20.6]	5.07 [129]	6.06 [154]	26.3	PFBK8
1500	C2M1500MBMH	6	13.04	6.38 [162]	8.20 [208]	5.70 [145]	5.63 [143]	5.88 [149]	.37 X 1.00 [9.5] X [25.4]	5.85 [149]	7.00 [178]	37.6	PFBK8
2000	C2M2000MBMH	6	17.39	7.50 [191]	9.06 [230]	6.67 [169]	6.75 [171]	6.27 [159]	.37 X 1.00 [9.5] X [25.4]	6.67 [169]	7.97 [202]	55.5	PFBK8

*Les dimensions sont exprimées en pouces [mm].

GROUPE E

TENSION PRIMAIRE 415/400/380

TENSION SECONDAIRE 110X220

50/60 Hz

VA	Numéro de catalogue	Fig. montage	Courant de sortie	Dimensions			Centres de montage		Fente de montage	Hauteur avec clips fusibles	Hauteur avec bloc fusible	Pds. approx. de transport (lbs)	N/P kit fus. pri. opt.
				A	B	C	D	E	G X H				
50	C2M0050MEMX	4	0.45/0.23	2.99 [76]	4.40 [112]	2.86 [73]	2.52 [64]	2.25 [57]	.22 X .44 [5.6] X [11.1]	N/A	4.16 [106]	2.2	PFBK8
75	C2M0075MEMX	4	0.68/0.34	3.27 [83]	4.12 [105]	3.13 [79]	2.64 [67]	2.50 [64]	.22 X .44 [5.6] X [11.1]	N/A	4.43 [112]	2.5	PFBK8
100	C2M0100MEMX	4	0.91/0.45	3.27 [83]	4.32 [110]	3.13 [79]	2.64 [67]	2.63 [67]	.22 X .44 [5.6] X [11.1]	N/A	4.43 [112]	2.9	PFBK8
150	C2M0150MEMX	6	1.36/0.68	4.02 [102]	3.96 [101]	3.70 [94]	3.39 [86]	2.75 [70]	.22 X .75 [5.6] X [19.1]	4.05 [103]	5.00 [127]	4.0	PFBK8
250	C2M0250MEMX	6	2.27/1.14	4.49 [114]	4.48 [114]	3.70 [94]	3.74 [95]	3.12 [79]	.22 X .75 [5.6] X [19.1]	4.05 [103]	5.00 [127]	5.7	PFBK8
350	C2M0350MEMX	6	3.18/1.59	4.50 [114]	4.56 [116]	4.22 [107]	3.74 [95]	3.75 [95]	.22 X .75 [5.6] X [19.1]	4.57 [116]	5.52 [140]	7.6	PFBK8
500	C2M0500MEMX	6	4.55/2.27	4.75 [121]	5.34 [136]	4.22 [107]	4.06 [103]	3.77 [96]	.31 X .94 [7.9] X [23.8]	4.57 [116]	5.52 [140]	10.7	PFBK8
750	C2M0750MEMX	6	6.82/3.41	5.25 [133]	6.19 [157]	4.76 [121]	4.50 [114]	4.05 [103]	.31 X .81 [7.9] X [20.6]	5.07 [129]	6.06 [154]	16.5	PFBK8
1000	C2M1000MEMX	6	9.09/4.55	5.25 [133]	6.97 [177]	4.76 [121]	4.50 [114]	4.84 [123]	.31 X .81 [7.9] X [20.6]	5.07 [129]	6.06 [154]	21.3	PFBK8
1500	C2M1500MEMX	6	13.64/6.82	6.38 [162]	7.81 [198]	5.70 [145]	5.63 [143]	5.48 [139]	.37 X 1.00 [9.5] X [25.4]	5.85 [149]	7.00 [178]	34.6	PFBK8
2000	C2M2000MEMX	6	18.18/9.09	7.50 [191]	9.06 [230]	6.67 [169]	6.75 [171]	6.27 [159]	.37 X 1.00 [9.5] X [25.4]	6.67 [169]	7.97 [202]	51.7	PFBK8

*Les dimensions sont exprimées en pouces [mm].

GROUPE F

TENSION PRIMAIRE

380/277/208

TENSION SECONDAIRE

120X240

50/60 Hz

VA	Numéro de catalogue	Fig. montage	Courant de sortie	Dimensions			Centres de montage		Fente de montage	Hauteur avec clips fusibles	Hauteur avec bloc fusible	Pds. approx. de transport (lbs)	N/P kit fus. pri. opt.
				A	B	C	D	E	G X H				
50	C2M0050MGJ	4	0.42/0.21	2.99 [76]	4.20 [107]	2.86 [73]	2.52 [64]	2.25 [57]	.22 X .44 [5.6] X [11.1]	N/A	4.16 [106]	2.0	PFBK8
75	C2M0075MGJ	4	0.63/0.31	3.27 [83]	4.32 [110]	3.13 [79]	2.64 [67]	2.63 [67]	.22 X .44 [5.6] X [11.1]	N/A	4.43 [112]	2.8	PFBK8
100	C2M0100MGJ	4	0.83/0.42	3.27 [83]	4.52 [115]	3.13 [79]	2.64 [67]	2.63 [67]	.22 X .44 [5.6] X [11.1]	N/A	4.43 [112]	3.5	PFBK8
150	C2M0150MGJ	6	1.25/0.63	4.02 [102]	4.48 [114]	3.70 [94]	3.39 [86]	2.75 [70]	.22 X .75 [5.6] X [19.1]	4.05 [103]	5.00 [127]	5.1	PFBK8
250	C2M0250MGJ	6	2.08/1.04	4.49 [114]	4.67 [119]	3.70 [94]	3.74 [95]	3.75 [95]	.22 X .75 [5.6] X [19.1]	4.05 [103]	5.00 [127]	6.2	PFBK8
350	C2M0350MGJ	6	2.92/1.46	4.50 [114]	4.95 [126]	4.22 [107]	3.74 [95]	3.75 [95]	.22 X .75 [5.6] X [19.1]	4.57 [116]	5.52 [140]	8.9	PFBK8
500	C2M0500MGJ	6	4.17/2.08	4.75 [121]	6.05 [154]	4.22 [107]	4.06 [103]	4.48 [114]	.31 X .94 [7.9] X [23.8]	4.57 [116]	5.52 [140]	12.5	PFBK8
750	C2M0750MGJ	6	6.25/3.13	5.25 [133]	6.97 [177]	4.76 [121]	4.50 [114]	4.84 [123]	.31 X .81 [7.9] X [20.6]	5.07 [129]	6.06 [154]	19.8	PFBK8
1000	C2M1000MGJ	6	8.33/4.17	5.25 [133]	7.37 [187]	4.76 [121]	4.50 [114]	5.48 [139]	.37 X 1.00 [9.5] X [25.4]	5.07 [129]	6.06 [154]	23.3	PFBK8
1500	C2M1500MGJ	6	12.50/6.25	6.38 [162]	8.20 [208]	5.70 [145]	5.63 [143]	5.88 [149]	.37 X 1.00 [9.5] X [25.4]	5.85 [149]	7.00 [178]	37.4	PFBK8
2000	C2M2000MGJ	6	16.67/8.33	7.50 [191]	9.06 [230]	6.67 [169]	6.75 [171]	6.27 [159]	.37 X 1.00 [9.5] X [25.4]	6.67 [169]	7.97 [202]	52.9	PFBK8

*Les dimensions sont exprimées en pouces [mm].

GROUPE G

TENSION PRIMAIRE 480/240/217 460/230/208 440/220/200

TENSION SECONDAIRE 120/25 115/24 110/23

50/60 Hz

VA	Numéro de catalogue	Fig. montage	Courant de sortie	Dimensions			Centres de montage		Fente de montage	Hauteur avec clips fusibles	Hauteur avec bloc fusible	Pds. approx. de transport (lbs)	N/P kit fus. pri. opt.
				A	B	C	D	E	G X H				
50	C2M0050MLI	4	0.43/2.08	3.27 [83]	4.12 [105]	3.13 [79]	2.64 [67]	2.50 [64]	.22 X .44 [5.6] X [11.1]	N/A	4.43 [112]	2.5	PFBK8
75	C2M0075MLI	4	0.65/3.13	3.27 [83]	4.32 [110]	3.13 [79]	2.64 [67]	2.62 [67]	.22 X .44 [5.6] X [11.1]	N/A	4.43 [112]	3.0	PFBK8
100	C2M0100MLI	6	0.87/4.17	4.02 [102]	3.96 [101]	3.70 [94]	3.39 [86]	2.75 [70]	.22 X .75 [5.6] X [19.1]	4.05 [103]	5.00 [127]	3.9	PFBK8
150	C2M0150MLI	6	1.30/6.25	4.02 [102]	4.48 [114]	3.70 [94]	3.39 [86]	2.75 [70]	.22 X .75 [5.6] X [19.1]	4.05 [103]	5.00 [127]	5.3	PFBK8
250	C2M0250MLI	6	2.17/10.42	4.50 [114]	4.95 [126]	4.22 [107]	3.74 [95]	3.75 [95]	.22 X .75 [5.6] X [19.1]	4.57 [116]	5.52 [140]	8.5	PFBK8
350	C2M0350MLI	6	3.04/14.58	4.75 [121]	5.54 [141]	4.22 [107]	4.06 [103]	3.97 [101]	.31 X .94 [7.9] X [23.8]	4.57 [116]	5.52 [140]	10.8	PFBK8
500	C2M0500MLI	6	4.35/20.83	4.75 [121]	6.05 [154]	4.22 [107]	4.06 [103]	4.48 [114]	.31 X .94 [7.9] X [23.8]	4.57 [116]	5.52 [140]	13.3	PFBK8
750	C2M0750MLI	6	6.52/31.25	5.25 [133]	6.97 [177]	4.76 [121]	4.50 [114]	4.84 [123]	.31 X .81 [7.9] X [20.6]	5.07 [129]	6.06 [154]	21.3	PFBK8
1000	C2M1000MLI	6	8.70/41.67	6.37 [162]	7.41 [188]	5.70 [145]	5.63 [143]	5.09 [129]	.37 X 1.00 [9.5] X [25.4]	5.85 [149]	7.00 [178]	30.3	PFBK8

*Les dimensions sont exprimées en pouces [mm].

GROUPE H

TENSION PRIMAIRE 240X480 230X460 220X440

TENSION SECONDAIRE 120X240 115X230 110X220

50/60 Hz

VA	Numéro de catalogue	Fig. montage	Courant de sortie	Dimensions			Centres de montage		Fente de montage	Hauteur avec clips fusibles	Hauteur avec bloc fusible	Pds. approx. de transport (lbs)	N/P kit fus. pri. opt.
				A	B	C	D	E	G X H				
50	C2M0050MQMJ	4	0.42/0.21	2.99 [76]	4.40 [112]	2.86 [73]	2.52 [64]	2.25 [57]	.22 X .44 [5.6] X [11.1]	N/A	4.16 [106]	2.2	PFBK8
75	C2M0075MQMJ	4	0.63/0.31	2.99 [76]	4.20 [107]	2.86 [73]	2.52 [64]	2.25 [57]	.22 X .44 [5.6] X [11.1]	N/A	4.16 [106]	2.1	PFBK8
100	C2M0100MQMJ	4	0.83/0.42	3.27 [83]	4.32 [110]	3.13 [79]	2.64 [67]	2.63 [67]	.22 X .44 [5.6] X [11.1]	N/A	4.43 [112]	2.9	PFBK8
150	C2M0150MQMJ	6	1.25/0.63	4.02 [102]	3.96 [101]	3.70 [94]	3.39 [86]	2.75 [70]	.22 X .75 [5.6] X [19.1]	4.05 [103]	5.00 [127]	4.1	PFBK8
250	C2M0250MQMJ	6	2.08/1.04	4.49 [114]	4.48 [114]	3.70 [94]	3.74 [95]	3.12 [79]	.22 X .75 [5.6] X [19.1]	4.05 [103]	5.00 [127]	5.7	PFBK8
350	C2M0350MQMJ	6	2.92/1.46	4.49 [114]	5.26 [134]	3.70 [94]	3.74 [95]	3.75 [95]	.22 X .75 [5.6] X [19.1]	4.05 [103]	5.00 [127]	7.7	PFBK8
500	C2M0500MQMJ	6	4.17/2.08	4.75 [121]	5.34 [136]	4.22 [107]	4.06 [103]	3.77 [96]	.31 X .94 [7.9] X [23.8]	4.57 [116]	5.52 [140]	10.6	PFBK8
750	C2M0750MQMJ	6	6.25/3.13	5.25 [133]	6.19 [157]	4.76 [121]	4.50 [114]	4.05 [103]	.31 X .81 [7.9] X [20.6]	5.07 [129]	6.06 [154]	17.0	PFBK8
1000	C2M1000MQMJ	6	8.33/4.17	5.25 [133]	6.97 [177]	4.76 [121]	4.50 [114]	4.84 [123]	.31 X .81 [7.9] X [20.6]	5.07 [129]	6.06 [154]	21.2	PFBK8
1500	C2M1500MQMJ	6	12.50/6.25	6.38 [162]	7.81 [198]	5.70 [145]	5.63 [143]	5.48 [139]	.37 X 1.00 [9.5] X [25.4]	5.85 [149]	7.00 [178]	35.6	PFBK8
2000	C2M2000MQMJ	6	16.67/8.33	6.38 [162]	8.20 [208]	5.70 [145]	5.63 [143]	5.88 [149]	.37 X 1.00 [9.5] X [25.4]	5.85 [149]	7.00 [178]	39.0	PFBK8

*Les dimensions sont exprimées en pouces [mm].

GROUPE I

TENSION PRIMAIRE 120X240 115X230 110X220

TENSION SECONDAIRE 120X240 115X230 110X220

50/60 Hz

VA	Numéro de catalogue	Fig. montage	Courant de sortie	Dimensions			Centres de montage		Fente de montage	Hauteur avec clips fusibles	Hauteur avec bloc fusible	Pds. approx. de transport (lbs)	N/P kit fus. pri. opt.
				A	B	C	D	E	G X H				
50	C2M0050PP	4	0.42/0.21	2.99 [76]	4.40 [112]	2.86 [73]	2.52 [64]	2.25 [57]	.22 X .44 [5.6] X [11.1]	N/A	4.16 [106]	2.2	PFBK8
75	C2M0075PP	4	0.63/0.31	3.27 [83]	3.93 [100]	3.13 [79]	2.64 [67]	2.50 [64]	.22 X .44 [5.6] X [11.1]	N/A	4.43 [112]	2.3	PFBK8
100	C2M0100PP	4	0.83/0.42	3.27 [83]	4.32 [110]	3.13 [79]	2.64 [67]	2.63 [67]	.22 X .44 [5.6] X [11.1]	N/A	4.43 [112]	2.9	PFBK8
150	C2M0150PP	6	1.25/0.63	4.02 [102]	3.96 [101]	3.70 [94]	3.39 [86]	2.75 [70]	.22 X .75 [5.6] X [19.1]	4.05 [103]	5.00 [127]	4.1	PFBK8
250	C2M0250PP	6	2.08/1.04	4.49 [114]	4.48 [114]	3.70 [94]	3.74 [95]	3.12 [79]	.22 X .75 [5.6] X [19.1]	4.05 [103]	5.00 [127]	5.7	PFBK8
350	C2M0350PP	6	2.92/1.46	4.50 [114]	4.95 [126]	4.22 [107]	3.74 [95]	3.75 [95]	.22 X .75 [5.6] X [19.1]	4.57 [116]	5.52 [140]	8.7	PFBK8
500	C2M0500PP	6	4.17/2.08	4.75 [121]	5.34 [136]	4.22 [107]	4.06 [103]	3.77 [96]	.31 X .94 [7.9] X [23.8]	4.57 [116]	5.52 [140]	10.7	PFBK8
750	C2M0750PP	6	6.25/3.13	5.25 [133]	6.19 [157]	4.76 [121]	4.50 [114]	4.05 [103]	.31 X .81 [7.9] X [20.6]	5.07 [129]	6.06 [154]	17.0	PFBK8
1000	C2M1000PP	6	8.33/4.17	5.25 [133]	6.97 [177]	4.76 [121]	4.50 [114]	4.84 [123]	.31 X .81 [7.9] X [20.6]	5.07 [129]	6.06 [154]	21.2	PFBK8
1500	C2M1500PP	6	12.50/6.25	6.38 [162]	8.20 [208]	5.70 [145]	5.63 [143]	5.88 [149]	.37 X 1.00 [9.5] X [25.4]	5.85 [149]	7.00 [178]	37.3	PFBK8
2000	C2M2000PP	6	16.67/8.33	6.38 [162]	8.20 [208]	5.70 [145]	5.63 [143]	5.88 [149]	.37 X 1.00 [9.5] X [25.4]	5.70 [145]	7.00 [178]	39.1	PFBK8

*Les dimensions sont exprimées en pouces [mm].

GROUPE J

TENSION PRIMAIRE 120X240

TENSION SECONDAIRE 24

50/60 Hz

VA	Numéro de catalogue	Fig. montage	Courant de sortie	Dimensions			Centres de montage		Fente de montage	Hauteur avec clips fusibles	Hauteur avec bloc fusible	Pds. approx. de transport (lbs)	N/P kit fus. pri. opt.
				A	B	C	D	E	G X H				
50	C2M0050PR	4	2.08	2.99 [76]	4.40 [112]	2.86 [73]	2.52 [64]	2.25 [57]	.22 X .44 [5.6] X [11.1]	N/A	4.16 [106]	2.2	PFBK8
75	C2M0075PR	4	3.13	2.99 [76]	4.20 [107]	2.86 [73]	2.52 [64]	2.25 [57]	.22 X .44 [5.6] X [11.1]	N/A	4.16 [106]	2.1	PFBK8
100	C2M0100PR	4	4.17	3.27 [83]	4.32 [110]	3.13 [79]	2.64 [67]	2.62 [67]	.22 X .44 [5.6] X [11.1]	N/A	4.43 [112]	2.9	PFBK8
150	C2M0150PR	6	6.25	4.02 [102]	3.96 [101]	3.70 [94]	3.39 [86]	2.75 [70]	.22 X .75 [5.6] X [19.1]	4.05 [103]	5.00 [127]	4.1	PFBK8
250	C2M0250PR	6	10.42	4.49 [114]	4.48 [114]	3.70 [94]	3.74 [95]	3.12 [79]	.22 X .75 [5.6] X [19.1]	4.05 [103]	5.00 [127]	5.8	PFBK8
350	C2M0350PR	6	14.58	4.50 [114]	4.95 [126]	4.22 [107]	3.74 [95]	3.75 [95]	.22 X .75 [5.6] X [19.1]	4.57 [116]	5.52 [140]	8.8	PFBK8
500	C2M0500PR	6	20.83	4.75 [121]	5.34 [136]	4.22 [107]	4.06 [103]	3.77 [96]	.31 X .94 [7.9] X [23.8]	4.57 [116]	5.52 [140]	10.6	PFBK8
750	C2M0750PR	6	31.25	5.25 [133]	5.79 [147]	4.76 [121]	4.50 [114]	3.66 [93]	.31 X .81 [7.9] X [20.6]	5.07 [129]	6.06 [154]	14.7	PFBK8
1000	C2M1000PR	6	41.67	5.25 [133]	6.97 [177]	4.76 [121]	4.50 [114]	4.84 [123]	.31 X .81 [7.9] X [20.6]	5.07 [129]	6.06 [154]	20.8	PFBK8

*Les dimensions sont exprimées en pouces [mm].

GROUPE K

TENSION PRIMAIRE

240X480

TENSION SECONDAIRE

24

50/60 Hz

VA	Numéro de catalogue	Fig. montage	Courant de sortie	Dimensions			Centres de montage		Fente de montage	Hauteur avec clips fusibles	Hauteur avec bloc fusible	Pds. approx. de transport (lbs)	N/P kit fus. pri. opt.
				A	B	C	D	E	G X H				
50	C2M0050QR	4	2.08	2.99 [76]	4.40 [112]	2.86 [73]	2.52 [64]	2.25 [57]	.22 X .44 [5.6] X [11.1]	N/A	4.16 [106]	2.2	PFBK8
75	C2M0075QR	4	3.13	3.27 [83]	3.93 [100]	3.13 [79]	2.64 [67]	2.50 [64]	.22 X .44 [5.6] X [11.1]	N/A	4.43 [112]	2.3	PFBK8
100	C2M0100QR	4	4.17	3.27 [83]	4.32 [110]	3.13 [79]	2.64 [67]	2.63 [67]	.22 X .44 [5.6] X [11.1]	N/A	4.43 [112]	2.9	PFBK8
150	C2M0150QR	6	6.25	4.02 [102]	3.96 [101]	3.70 [94]	3.39 [86]	2.75 [70]	.22 X .75 [5.6] X [19.1]	4.05 [103]	5.00 [127]	4.1	PFBK8
250	C2M0250QR	6	10.42	4.49 [114]	4.67 [119]	3.70 [94]	3.74 [95]	3.75 [95]	.22 X .75 [5.6] X [19.1]	4.05 [103]	5.00 [127]	6.2	PFBK8
350	C2M0350QR	6	14.58	4.50 [114]	4.95 [126]	4.22 [107]	3.74 [95]	3.75 [95]	.22 X .75 [5.6] X [19.1]	4.57 [116]	5.52 [140]	8.7	PFBK8
500	C2M0500QR	6	20.83	4.75 [121]	5.34 [136]	4.22 [107]	4.06 [103]	3.77 [96]	.31 X .94 [7.9] X [23.8]	4.57 [116]	5.52 [140]	10.6	PFBK8

*Les dimensions sont exprimées en pouces [mm].

GROUPE L

TENSION PRIMAIRE 208X416 199X398 190X380

TENSION SECONDAIRE 120X240 115X230 110X220

50/60 Hz

VA	Numéro de catalogue	Fig. montage	Courant de sortie	Dimensions			Centres de montage		Fente de montage	Hauteur avec clips fusibles	Hauteur avec bloc fusible	Pds. approx. de transport (lbs)	N/P kit fus. pri. opt.
				A	B	C	D	E	G X H				
50	C2M0050SP	4	0.42/0.21	2.99 [76]	4.40 [112]	2.86 [73]	2.52 [64]	2.25 [57]	.22 X .44 [5.6] X [11.1]	N/A	4.16 [106]	2.2	PFBK8
75	C2M0075SP	4	0.63/0.31	3.27 [83]	3.93 [100]	3.13 [79]	2.64 [67]	2.50 [64]	.22 X .44 [5.6] X [11.1]	N/A	4.43 [112]	2.2	PFBK8
100	C2M0100SP	4	0.83/0.42	3.27 [83]	4.32 [110]	3.13 [79]	2.64 [67]	2.63 [67]	.22 X .44 [5.6] X [11.1]	N/A	4.43 [112]	2.9	PFBK8
150	C2M0150SP	6	1.25/0.63	4.02 [102]	3.96 [101]	3.70 [94]	3.39 [86]	2.75 [70]	.22 X .75 [5.6] X [19.1]	4.05 [103]	5.00 [127]	4.1	PFBK8
250	C2M0250SP	6	2.08/1.04	4.49 [114]	4.67 [119]	3.70 [94]	3.74 [95]	3.75 [95]	.22 X .75 [5.6] X [19.1]	4.05 [103]	5.00 [127]	6.2	PFBK8
350	C2M0350SP	6	2.92/1.46	4.50 [114]	4.95 [126]	4.22 [107]	3.74 [95]	3.75 [95]	.22 X .75 [5.6] X [19.1]	4.57 [116]	5.52 [140]	8.8	PFBK8
500	C2M0500SP	6	4.17/2.08	4.75 [121]	5.34 [136]	4.22 [107]	4.06 [103]	3.77 [96]	.31 X .94 [7.9] X [23.8]	4.57 [116]	5.52 [140]	10.8	PFBK8
750	C2M0750SP	6	6.25/3.13	5.25 [133]	6.19 [157]	4.76 [121]	4.50 [114]	4.05 [103]	.31 X .81 [7.9] X [20.6]	5.07 [129]	6.06 [154]	16.7	PFBK8
1000	C2M1000SP	6	8.33/4.17	5.25 [133]	6.97 [177]	4.76 [121]	4.50 [114]	4.84 [123]	.31 X .81 [7.9] X [20.6]	5.07 [129]	6.06 [154]	21.4	PFBK8
1500	C2M1500SP	6	12.50/6.25	6.38 [162]	7.81 [198]	5.70 [145]	5.63 [143]	5.48 [139]	.37 X 1.00 [9.5] X [25.4]	5.85 [149]	7.00 [178]	36.0	PFBK8
2000	C2M2000SP	6	16.67/8.33	7.50 [191]	9.06 [230]	6.67 [169]	6.75 [171]	6.27 [159]	.37 X 1.00 [9.5] X [25.4]	6.67 [169]	7.97 [202]	52.6	PFBK8

*Les dimensions sont exprimées en pouces [mm].

GROUPE M

TENSION PRIMAIRE 600/480/415/240 575/460/398/230 550/440/380/220
 TENSION SECONDAIRE 120/25 115/24 110/23

50/60 Hz

VA	Numéro de catalogue	Fig. montage	Courant de sortie	Dimensions			Centres de montage		Fente de montage	Hauteur avec clips fusibles	Hauteur avec bloc fusible	Pds. approx. de transport (lbs)	N/P kit fus. pri. opt.
				A	B	C	D	E	G X H				
50	C2M0050XI	4	0.43/2.08	3.27 [83]	3.93 [100]	3.13 [79]	2.64 [67]	2.50 [64]	.22 X .44 [5.6] X [11.1]	N/A	4.43 [112]	2.3	PFBK8
75	C2M0075XI	4	0.65/3.13	3.27 [83]	4.52 [115]	3.13 [79]	2.64 [67]	2.63 [67]	.22 X .44 [5.6] X [11.1]	N/A	4.43 [112]	3.3	PFBK8
100	C2M0100XI	6	0.87/4.17	4.02 [102]	3.96 [101]	3.70 [94]	3.39 [86]	2.75 [70]	.22 X .75 [5.6] X [19.1]	4.05 [103]	5.00 [127]	4.0	PFBK8
150	C2M0150XI	6	1.30/6.25	4.49 [114]	4.28 [109]	3.70 [94]	3.74 [95]	3.13 [79]	.22 X .75 [5.6] X [19.1]	4.05 [103]	5.00 [127]	5.1	PFBK8
250	C2M0250XI	6	2.17/10.42	4.49 [114]	5.26 [134]	3.70 [94]	3.74 [95]	3.75 [95]	.22 X .75 [5.6] X [19.1]	4.05 [103]	5.00 [127]	7.8	PFBK8
350	C2M0350XI	6	3.04/14.58	4.75 [121]	5.34 [136]	4.22 [107]	4.06 [103]	3.78 [96]	.31 X .94 [7.9] X [23.8]	4.57 [116]	5.52 [140]	10.5	PFBK8
500	C2M0500XI	6	4.35/20.83	5.25 [133]	7.37 [187]	4.76 [121]	4.50 [114]	5.48 [139]	.37 X 1.00 [9.5] X [25.4]	5.07 [129]	6.06 [154]	23.1	PFBK8

*Les dimensions sont exprimées en pouces [mm].

CHIFFRES DE MONTAGE

Fig. 4

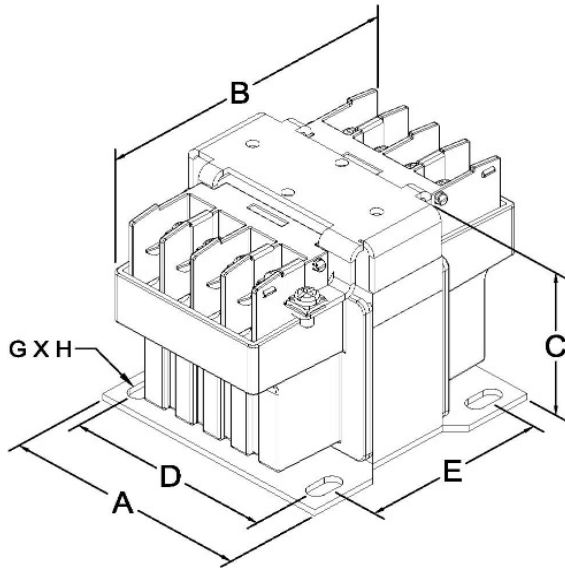


Fig. 6

