



**Open Style Control Transformers:
Selection Tables**

GROUP A

PRIMARY VOLTAGE 600/480 575/460 550/440
 SECONDARY VOLTAGE 120X240 115X230 110X220

60 Hz

VA Rating	Catalog Number	Mtg Fig	Output Amps	Overall Dimensions			Mounting Centers		Mounting Slot	Height with Fuse Clips	Height with Fuse Block	Approx Ship Weight Lbs	Opt. Pri. Fuse Kit P/N
				A	B	C	D	E	G X H				
50	C2G0050ACP	4	0.42/0.21	2.63 [67]	3.94 [100]	2.86 [73]	2.13 [54]	2.64 [67]	.22 X .44 [5.6] X [11.1]	N/A	4.16 [106]	1.9	PFBK8
75	C2G0075ACP	4	0.63/0.31	2.63 [67]	3.94 [100]	2.86 [73]	2.13 [54]	2.64 [67]	.22 X .44 [5.6] X [11.1]	N/A	4.16 [106]	2.1	PFBK8
100	C2G0100ACP	4	0.83/0.42	3.00 [76]	3.86 [98]	3.13 [79]	2.52 [64]	2.60 [66]	.22 X .44 [5.6] X [11.1]	N/A	4.43 [112]	2.6	PFBK8
150	C2G0150ACP	4	1.25/0.63	3.00 [76]	4.41 [112]	3.13 [79]	2.52 [64]	3.15 [80]	.22 X .44 [5.6] X [11.1]	N/A	4.43 [112]	3.7	PFBK8
250	C2G0250ACP	6	2.08/1.04	3.75 [95]	4.22 [107]	3.70 [94]	3.31 [84]	2.99 [76]	.22 X .44 [5.6] X [11.1]	4.05 [103]	5.00 [127]	5.7	PFBK8
350	C2G0350ACP	6	2.92/1.46	3.75 [95]	4.81 [122]	3.70 [94]	3.31 [84]	3.58 [91]	.22 X .44 [5.6] X [11.1]	4.05 [103]	5.00 [127]	7.2	PFBK8
500	C2G0500ACP	6	4.17/2.08	4.50 [114]	4.81 [122]	4.22 [107]	3.78 [96]	3.66 [93]	.31 X .81 [7.9] X [20.6]	4.57 [116]	5.52 [140]	10.5	PFBK8
750	C2G0750ACP	6	6.25/3.13	4.50 [114]	5.52 [140]	4.22 [107]	3.78 [96]	4.37 [111]	.31 X .81 [7.9] X [20.6]	4.57 [116]	5.52 [140]	13.6	PFBK8
1000	C2G1000ACP	6	8.33/4.17	5.25 [133]	6.54 [166]	4.76 [121]	4.50 [114]	4.84 [123]	.31 X .81 [7.9] X [20.6]	5.07 [129]	6.06 [154]	20.4	PFBK8
1500	C2G1500ACP	6	12.50/6.25	6.37 [162]	6.85 [174]	5.70 [145]	5.75 [146]	4.84 [123]	.31 X .94 [7.9] X [23.8]	5.85 [149]	7.00 [178]	32.1	PFBK8
2000	C2G2000ACP	6	16.67/8.33	6.37 [162]	7.25 [184]	5.70 [145]	5.75 [146]	5.23 [133]	.31 X .94 [7.9] X [23.8]	5.85 [149]	7.00 [178]	35.4	PFBK8
3000	C2G3000ACP	6	25.00/12.50	7.50 [191]	8.47 [215]	6.67 [169]	6.30 [160]	7.05 [179]	.44 X 1.00 [11.1] X [25.4]	6.67 [169]	7.97 [202]	56.5	PFBK8
5000	C2G5000ACP	6	41.67/20.83	9.00 [229]	10.02 [255]	7.92 [201]	7.43 [189]	8.35 [212]	.44 X 1.00 [11.1] X [25.4]	N/A	9.22 [234]	91.4	PFBK8

*Dimensions are in inches [mm]

Data subject to change without notice.



GROUP B

PRIMARY VOLTAGE 600 575 550
 SECONDARY VOLTAGE 120X240 115X230 110X220

60 Hz

VA Rating	Catalog Number	Mtg Fig	Output Amps	Overall Dimensions			Mounting Centers		Mounting Slot	Height with Fuse Clips	Height with Fuse Block	Approx Ship Weight Lbs	Opt. Pri. Fuse Kit P/N
				A	B	C	D	E	G X H				
50	C2G0050AJ	4	0.42/0.21	2.63 [67]	3.35 [85]	2.86 [73]	2.13 [54]	2.05 [52]	.22 X .44 [5.6] X [11.1]	N/A	4.16 [106]	1.4	PFBK8
75	C2G0075AJ	4	0.63/0.31	2.63 [67]	3.94 [100]	2.86 [73]	2.13 [54]	2.64 [67]	.22 X .44 [5.6] X [11.1]	N/A	4.16 [106]	2.0	PFBK8
100	C2G0100AJ	4	0.83/0.42	3.00 [76]	3.86 [98]	3.13 [79]	2.52 [64]	2.60 [66]	.22 X .44 [5.6] X [11.1]	N/A	4.43 [112]	2.6	PFBK8
150	C2G0150AJ	4	1.25/0.63	3.00 [76]	4.26 [108]	3.13 [79]	2.52 [64]	2.95 [75]	.22 X .44 [5.6] X [11.1]	N/A	4.43 [112]	3.4	PFBK8
250	C2G0250AJ	6	2.08/1.04	3.75 [95]	4.22 [107]	3.70 [94]	3.31 [84]	2.99 [76]	.22 X .44 [5.6] X [11.1]	4.05 [103]	5.00 [127]	5.7	PFBK8
350	C2G0350AJ	6	2.92/1.46	3.75 [95]	4.81 [122]	3.70 [94]	3.31 [84]	3.58 [91]	.22 X .44 [5.6] X [11.1]	4.05 [103]	5.00 [127]	7.1	PFBK8
500	C2G0500AJ	6	4.17/2.08	4.50 [114]	4.81 [122]	4.22 [107]	3.78 [96]	3.66 [93]	.31 X .81 [7.9] X [20.6]	4.57 [116]	5.52 [140]	10.3	PFBK8
750	C2G0750AJ	6	6.25/3.13	4.50 [114]	5.52 [140]	4.22 [107]	3.78 [96]	4.37 [111]	.31 X .81 [7.9] X [20.6]	4.57 [116]	5.52 [140]	13.3	PFBK8
1000	C2G1000AJ	6	8.33/4.17	5.25 [133]	6.54 [166]	4.76 [121]	4.50 [114]	4.84 [123]	.31 X .81 [7.9] X [20.6]	5.07 [129]	6.06 [154]	20.2	PFBK8
1500	C2G1500AJ	6	12.50/6.25	6.37 [162]	6.85 [174]	5.70 [145]	5.75 [146]	4.84 [123]	.31 X .94 [7.9] X [23.8]	5.85 [149]	7.00 [178]	31.2	PFBK8
2000	C2G2000AJ	6	16.67/8.33	6.37 [162]	7.25 [184]	5.70 [145]	5.75 [146]	5.23 [133]	.31 X .94 [7.9] X [23.8]	5.85 [149]	7.00 [178]	34.4	PFBK8
3000	C2G3000AJ	6	25.00/12.50	7.50 [191]	8.47 [215]	6.67 [169]	6.30 [160]	7.05 [179]	.44 X 1.00 [11.1] X [25.4]	6.67 [169]	7.97 [202]	55.5	PFBK8
5000	C2G5000AJ	6	41.67/20.83	9.00 [229]	9.23 [235]	7.92 [201]	7.43 [189]	7.24 [184]	.44 X 1.00 [11.1] X [25.4]	N/A	9.22 [234]	91.4	PFBK8

*Dimensions are in inches [mm]



GROUP C

PRIMARY VOLTAGE 600 575 550

SECONDARY VOLTAGE 24 23 22

60 Hz

VA Rating	Catalog Number	Mtg Fig	Output Amps	Overall Dimensions			Mounting Centers		Mounting Slot	Height with Fuse Clips	Height with Fuse Block	Approx Ship Weight Lbs	Opt. Pri. Fuse Kit P/N
				A	B	C	D	E	G X H				
50	C2G0050AR	4	2.08	2.63 [67]	3.35 [85]	2.86 [73]	2.13 [54]	2.05 [52]	.22 X .44 [5.6] X [11.1]	N/A	4.16 [106]	1.3	PFBK8
75	C2G0075AR	4	3.13	2.63 [67]	3.94 [100]	2.86 [73]	2.13 [54]	2.64 [67]	.22 X .44 [5.6] X [11.1]	N/A	4.16 [106]	2.0	PFBK8
100	C2G0100AR	4	4.17	2.63 [67]	4.14 [105]	2.86 [73]	2.13 [54]	2.83 [72]	.22 X .44 [5.6] X [11.1]	N/A	4.16 [106]	2.4	PFBK8
150	C2G0150AR	4	6.25	3.00 [76]	4.26 [108]	3.13 [79]	2.52 [64]	2.95 [75]	.22 X .44 [5.6] X [11.1]	N/A	4.43 [112]	3.4	PFBK8
250	C2G0250AR	6	10.42	3.75 [95]	4.22 [107]	3.70 [94]	3.31 [84]	2.99 [76]	.22 X .44 [5.6] X [11.1]	4.05 [103]	5.00 [127]	5.5	PFBK8
350	C2G0350AR	6	14.58	3.75 [95]	4.81 [122]	3.70 [94]	3.31 [84]	3.58 [91]	.22 X .44 [5.6] X [11.1]	4.05 [103]	5.00 [127]	7.1	PFBK8
500	C2G0500AR	6	20.83	4.50 [114]	4.81 [122]	4.22 [107]	3.78 [96]	3.66 [93]	.31 X .81 [7.9] X [20.6]	4.57 [116]	5.52 [140]	10.3	PFBK8

*Dimensions are in inches [mm]



GROUP D

PRIMARY VOLTAGE 380/347

SECONDARY VOLTAGE 120X240

50/60 Hz

VA Rating	Catalog Number	Mtf Fig	Output Amps	Overall Dimensions			Mounting Centers		Mounting Slot	Height with Fuse Clips	Height with Fuse Block	Approx Ship Weight Lbs	Opt. Pri. Fuse Kit P/N
				A	B	C	D	E	G X H				
50	C2G0050KHP	4	0.42/0.21	2.63 [67]	3.67 [93]	2.86 [73]	2.13 [54]	2.36 [60]	.22 X .44 [5.6] X [11.1]	N/A	4.16 [106]	1.7	PFBK8
75	C2G0075KHP	4	0.63/0.31	2.63 [67]	3.94 [100]	2.86 [73]	2.13 [54]	2.64 [67]	.22 X .44 [5.6] X [11.1]	N/A	4.16 [106]	2.1	PFBK8
100	C2G0100KHP	4	0.83/0.42	3.00 [76]	3.86 [98]	3.13 [79]	2.52 [64]	2.60 [66]	.22 X .44 [5.6] X [11.1]	N/A	4.43 [112]	2.7	PFBK8
150	C2G0150KHP	4	1.25/0.63	3.00 [76]	4.41 [112]	3.13 [79]	2.52 [64]	3.15 [80]	.22 X .44 [5.6] X [11.1]	N/A	4.43 [112]	3.7	PFBK8
250	C2G0250KHP	6	2.08/1.04	3.75 [95]	4.22 [107]	3.70 [94]	3.31 [84]	2.99 [76]	.22 X .44 [5.6] X [11.1]	4.05 [103]	5.00 [127]	5.7	PFBK8
350	C2G0350KHP	6	2.92/1.46	3.75 [95]	4.81 [122]	3.70 [94]	3.31 [84]	3.58 [91]	.22 X .44 [5.6] X [11.1]	4.05 [103]	5.00 [127]	7.3	PFBK8
500	C2G0500KHP	6	4.17/2.08	4.50 [114]	4.81 [122]	4.22 [107]	3.78 [96]	3.66 [93]	.31 X .81 [7.9] X [20.6]	4.57 [116]	5.52 [140]	10.3	PFBK8
750	C2G0750KHP	6	6.25/3.13	5.25 [133]	5.36 [136]	4.76 [121]	4.50 [114]	3.66 [93]	.31 X .81 [7.9] X [20.6]	5.07 [129]	6.06 [154]	15.0	PFBK8
1000	C2G1000KHP	6	8.33/4.17	5.25 [133]	6.54 [166]	4.76 [121]	4.50 [114]	4.84 [123]	.31 X .81 [7.9] X [20.6]	5.07 [129]	6.06 [154]	20.7	PFBK8
1500	C2G1500KHP	6	12.50/6.25	6.37 [162]	6.85 [174]	5.70 [145]	5.75 [146]	4.84 [123]	.31 X .94 [7.9] X [23.8]	5.85 [149]	7.00 [178]	32.4	PFBK8
2000	C2G2000KHP	6	16.67/8.33	6.37 [162]	7.64 [194]	5.70 [145]	5.75 [146]	5.63 [143]	.31 X .94 [7.9] X [23.8]	5.85 [149]	7.00 [178]	37.3	PFBK8
3000	C2G3000KHP	6	25.00/12.50	7.50 [191]	8.47 [215]	6.67 [169]	6.30 [160]	7.05 [179]	.44 X 1.00 [11.1] X [25.4]	6.67 [169]	7.97 [202]	57.3	PFBK8
5000	C2G5000KHP	6	41.67/20.83	9.00 [229]	10.02 [255]	7.92 [201]	7.43 [189]	8.03 [204]	.44 X 1.00 [11.1] X [25.4]	N/A	9.22 [234]	101.4	PFBK8

*Dimensions are in inches [mm]



GROUP E

PRIMARY VOLTAGE 380/347

SECONDARY VOLTAGE 24

50/60 Hz

VA Rating	Catalog Number	Mtg Fig	Output Amps	Overall Dimensions			Mounting Centers		Mounting Slot	Height with Fuse Clips	Height with Fuse Block	Approx Ship Weight Lbs	Opt. Pri. Fuse Kit P/N
				A	B	C	D	E	G X H				
50	C2G0050KHR	4	2.08	2.63 [67]	3.67 [93]	2.86 [73]	2.13 [54]	2.36 [60]	.22 X .44 [5.6] X [11.1]	N/A	4.16 [106]	1.7	PFBK8
75	C2G0075KHR	4	3.13	2.63 [67]	3.94 [100]	2.86 [73]	2.13 [54]	2.64 [67]	.22 X .44 [5.6] X [11.1]	N/A	4.16 [106]	2.1	PFBK8
100	C2G0100KHR	4	4.17	3.00 [76]	3.86 [98]	3.13 [79]	2.52 [64]	2.60 [66]	.22 X .44 [5.6] X [11.1]	N/A	4.43 [112]	2.7	PFBK8
150	C2G0150KHR	4	6.25	3.00 [76]	4.41 [112]	3.13 [79]	2.52 [64]	3.15 [80]	.22 X .44 [5.6] X [11.1]	N/A	4.43 [112]	3.7	PFBK8
250	C2G0250KHR	6	10.42	3.75 [95]	4.22 [107]	3.70 [94]	3.31 [84]	2.99 [76]	.22 X .44 [5.6] X [11.1]	4.05 [103]	5.00 [127]	5.8	PFBK8
350	C2G0350KHR	6	14.58	3.75 [95]	5.00 [127]	3.70 [94]	3.31 [84]	3.78 [96]	.22 X .44 [5.6] X [11.1]	4.05 [103]	5.00 [127]	7.8	PFBK8
500	C2G0500KHR	6	20.83	4.50 [114]	4.81 [122]	4.22 [107]	3.78 [96]	3.66 [93]	.31 X .81 [7.9] X [20.6]	4.57 [116]	5.52 [140]	10.5	PFBK8

*Dimensions are in inches [mm]



GROUP F

PRIMARY VOLTAGE 600/480/240 575/460/230 550/440/220

SECONDARY VOLTAGE 120/100 115/95 110/92

50/60 Hz

VA Rating	Catalog Number	Mtg Fig	Output Amps	Overall Dimensions			Mounting Centers		Mounting Slot	Height with Fuse Clips	Height with Fuse Block	Approx Ship Weight Lbs	Opt. Pri. Fuse Kit P/N
				A	B	C	D	E	G X H				
50	C2G0050MBMH	4	0.43	2.63 [67]	3.94 [100]	2.86 [73]	2.13 [54]	2.64 [67]	.22 X .44 [5.6] X [11.1]	N/A	4.16 [106]	2.1	PFBK8
75	C2G0075MBMH	4	0.65	3.00 [76]	3.86 [98]	3.13 [79]	2.52 [64]	2.60 [66]	.22 X .44 [5.6] X [11.1]	N/A	4.43 [112]	2.6	PFBK8
100	C2G0100MBMH	4	0.87	3.00 [76]	4.26 [108]	3.13 [79]	2.52 [64]	2.95 [75]	.22 X .44 [5.6] X [11.1]	N/A	4.43 [112]	3.4	PFBK8
150	C2G0150MBMH	6	1.30	3.75 [95]	4.02 [102]	3.70 [94]	3.31 [84]	2.80 [71]	.22 X .44 [5.6] X [11.1]	4.05 [103]	5.00 [127]	5.0	PFBK8
250	C2G0250MBMH	6	2.17	3.75 [95]	4.81 [122]	3.70 [94]	3.31 [84]	3.58 [91]	.22 X .44 [5.6] X [11.1]	4.05 [103]	5.00 [127]	7.2	PFBK8
350	C2G0350MBMH	6	3.04	4.50 [114]	4.81 [122]	4.22 [107]	3.78 [96]	3.66 [93]	.31 X .81 [7.9] X [20.6]	4.57 [116]	5.52 [140]	10.2	PFBK8
500	C2G0500MBMH	6	4.35	4.50 [114]	5.52 [140]	4.22 [107]	3.78 [96]	4.37 [111]	.31 X .81 [7.9] X [20.6]	4.57 [116]	5.52 [140]	13.0	PFBK8
750	C2G0750MBMH	6	6.52	5.25 [133]	6.54 [166]	4.76 [121]	4.50 [114]	4.84 [123]	.31 X .81 [7.9] X [20.6]	5.07 [129]	6.06 [154]	20.6	PFBK8
1000	C2G1000MBMH	6	8.70	5.25 [133]	7.52 [191]	4.76 [121]	4.50 [114]	5.82 [148]	.31 X .81 [7.9] X [20.6]	5.07 [129]	6.06 [154]	26.3	PFBK8
1500	C2G1500MBMH	6	13.04	6.37 [162]	7.25 [184]	5.70 [145]	5.75 [146]	5.23 [133]	.31 X .94 [7.9] X [23.8]	5.85 [149]	7.00 [178]	35.1	PFBK8
2000	C2G2000MBMH	6	17.39	7.50 [191]	8.47 [215]	6.67 [169]	6.30 [160]	7.05 [179]	.44 X 1.00 [11.1] X [25.4]	6.67 [169]	7.97 [202]	54.7	PFBK8
3000	C2G3000MBMH	6	26.09	9.00 [229]	9.23 [235]	7.92 [201]	7.43 [189]	7.24 [184]	.44 X 1.00 [11.1] X [25.4]	N/A	9.22 [234]	84.0	PFBK8

*Dimensions are in inches [mm]



GROUP G

PRIMARY VOLTAGE 415/400/380

SECONDARY VOLTAGE 120/24

50/60 Hz

VA Rating	Catalog Number	Mtg Fig	Output Amps	Overall Dimensions			Mounting Centers		Mounting Slot	Height with Fuse Clips	Height with Fuse Block	Approx Ship Weight Lbs	Opt. Pri. Fuse Kit P/N
				A	B	C	D	E	G X H				
50	C2G0050MEI	4	0.42/2.08	2.63 [67]	3.94 [100]	2.86 [73]	2.13 [54]	2.64 [67]	.22 X .44 [5.6] X [11.1]	N/A	4.16 [106]	2.1	PFBK8
75	C2G0075MEI	4	0.63/3.13	3.00 [76]	3.86 [98]	3.13 [79]	2.52 [64]	2.60 [66]	.22 X .44 [5.6] X [11.1]	N/A	4.43 [112]	2.6	PFBK8
100	C2G0100MEI	4	0.83/4.17	3.00 [76]	4.26 [108]	3.13 [79]	2.52 [64]	2.95 [75]	.22 X .44 [5.6] X [11.1]	N/A	4.43 [112]	3.4	PFBK8
150	C2G0150MEI	6	1.25/6.25	3.75 [95]	4.02 [102]	3.70 [94]	3.31 [84]	2.80 [71]	.22 X .44 [5.6] X [11.1]	4.05 [103]	5.00 [127]	4.8	PFBK8
250	C2G0250MEI	6	2.08/10.42	4.50 [114]	4.02 [102]	4.22 [107]	3.78 [96]	2.87 [73]	.31 X .81 [7.9] X [20.6]	4.57 [116]	5.52 [140]	7.2	PFBK8
350	C2G0350MEI	6	2.92/14.58	4.50 [114]	4.81 [122]	4.22 [107]	3.78 [96]	3.66 [93]	.31 X .81 [7.9] X [20.6]	4.57 [116]	5.52 [140]	10.0	PFBK8
500	C2G0500MEI	6	4.17/20.83	4.50 [114]	5.00 [127]	4.22 [107]	3.78 [96]	3.86 [98]	.31 X .81 [7.9] X [20.6]	4.57 [116]	5.52 [140]	11.4	PFBK8

*Dimensions are in inches [mm]



GROUP H

PRIMARY VOLTAGE 415/400/380

SECONDARY VOLTAGE 24

50/60 Hz

VA Rating	Catalog Number	Mtg Fig	Output Amps	Overall Dimensions			Mounting Centers		Mounting Slot	Height with Fuse Clips	Height with Fuse Block	Approx Ship Weight Lbs	Opt. Pri. Fuse Kit P/N
				A	B	C	D	E	G X H				
50	C2G0050MER	4	2.08	2.63 [67]	3.67 [93]	2.86 [73]	2.13 [54]	2.36 [60]	.22 X .44 [5.6] X [11.1]	N/A	4.16 [106]	1.7	PFBK8
75	C2G0075MER	4	3.13	2.63 [67]	3.94 [100]	2.86 [73]	2.13 [54]	2.64 [67]	.22 X .44 [5.6] X [11.1]	N/A	4.16 [106]	2.1	PFBK8
100	C2G0100MER	4	4.17	3.00 [76]	3.86 [98]	3.13 [79]	2.52 [64]	2.60 [66]	.22 X .44 [5.6] X [11.1]	N/A	4.43 [112]	2.7	PFBK8
150	C2G0150MER	4	6.25	3.00 [76]	4.41 [112]	3.13 [79]	2.52 [64]	3.15 [80]	.22 X .44 [5.6] X [11.1]	N/A	4.43 [112]	3.7	PFBK8
250	C2G0250MER	6	10.42	3.75 [95]	4.41 [112]	3.70 [94]	3.31 [84]	3.19 [81]	.22 X .44 [5.6] X [11.1]	4.05 [103]	5.00 [127]	6.1	PFBK8
350	C2G0350MER	6	14.58	4.50 [114]	4.41 [112]	4.22 [107]	3.78 [96]	3.27 [83]	.31 X .81 [7.9] X [20.6]	4.57 [116]	5.52 [140]	8.6	PFBK8
500	C2G0500MER	6	20.83	4.50 [114]	4.81 [122]	4.22 [107]	3.78 [96]	3.66 [93]	.31 X .81 [7.9] X [20.6]	4.57 [116]	5.52 [140]	10.6	PFBK8

*Dimensions are in inches [mm]



GROUP I

PRIMARY VOLTAGE 230X460

SECONDARY VOLTAGE 115

50/60 Hz

VA Rating	Catalog Number	Mtg Fig	Output Amps	Overall Dimensions			Mounting Centers		Mounting Slot	Height with Fuse Clips	Height with Fuse Block	Approx Ship Weight Lbs	Opt. Pri. Fuse Kit P/N
				A	B	C	D	E	G X H				
50	C2G0050MQM	4	0.43	2.63 [67]	3.67 [93]	2.86 [73]	2.13 [54]	2.36 [60]	.22 X .44 [5.6] X [11.1]	N/A	4.16 [106]	1.7	PFBK8
75	C2G0075MQM	4	0.65	2.63 [67]	3.94 [100]	2.86 [73]	2.13 [54]	2.64 [67]	.22 X .44 [5.6] X [11.1]	N/A	4.16 [106]	2.1	PFBK8
100	C2G0100MQM	4	0.87	3.00 [76]	4.06 [103]	3.13 [79]	2.52 [64]	2.80 [71]	.22 X .44 [5.6] X [11.1]	N/A	4.43 [112]	2.9	PFBK8
150	C2G0150MQM	6	1.30	3.75 [95]	3.70 [94]	3.70 [94]	3.31 [84]	2.48 [63]	.22 X .44 [5.6] X [11.1]	N/A	5.00 [127]	4.1	PFBK8
250	C2G0250MQM	6	2.17	3.75 [95]	4.41 [112]	3.70 [94]	3.31 [84]	3.19 [81]	.22 X .44 [5.6] X [11.1]	4.05 [103]	5.00 [127]	6.1	PFBK8
350	C2G0350MQM	6	3.04	4.50 [114]	4.41 [112]	4.22 [107]	3.78 [96]	3.27 [83]	.31 X .81 [7.9] X [20.6]	4.57 [116]	5.52 [140]	8.7	PFBK8
500	C2G0500MQM	6	4.35	4.50 [114]	4.81 [122]	4.22 [107]	3.78 [96]	3.66 [93]	.31 X .81 [7.9] X [20.6]	4.57 [116]	5.52 [140]	10.6	PFBK8
750	C2G0750MQM	6	6.52	5.25 [133]	5.75 [146]	4.76 [121]	4.50 [114]	4.05 [103]	.31 X .81 [7.9] X [20.6]	5.11 [130]	6.06 [154]	16.6	PFBK8
1000	C2G1000MQM	6	8.70	5.25 [133]	6.54 [166]	4.76 [121]	4.50 [114]	4.84 [123]	.31 X .81 [7.9] X [20.6]	5.07 [129]	6.06 [154]	21.3	PFBK8
1500	C2G1500MQM	6	13.04	6.37 [162]	6.85 [174]	5.70 [145]	5.75 [146]	4.84 [123]	.31 X .94 [7.9] X [23.8]	5.85 [149]	7.00 [178]	30.7	PFBK8
2000	C2G2000MQM	6	17.39	6.37 [162]	7.64 [194]	5.70 [145]	5.75 [146]	5.63 [143]	.31 X .94 [7.9] X [23.8]	5.85 [149]	7.00 [178]	38.9	PFBK8
3000	C2G3000MQM	6	26.09	7.50 [191]	8.47 [215]	6.67 [169]	6.30 [160]	7.05 [179]	.44 X 1.00 [11.1] X [25.4]	6.67 [169]	7.97 [202]	58.9	PFBK8

*Dimensions are in inches [mm]



GROUP J

PRIMARY VOLTAGE 240X480 230X460 220X440

SECONDARY VOLTAGE 120X240 115X230 110X220

50/60 Hz

VA Rating	Catalog Number	Mtg Fig	Output Amps	Overall Dimensions			Mounting Centers		Mounting Slot	Height with Fuse Clips	Height with Fuse Block	Approx Ship Weight Lbs	Opt. Pri. Fuse Kit P/N
				A	B	C	D	E	G X H				
50	C2G0050MQMJ	4	0.42/0.21	2.63 [67]	3.47 [88]	2.86 [73]	2.13 [54]	2.17 [55]	.22 X .44 [5.6] X [11.1]	N/A	4.16 [106]	1.5	PFBK8
75	C2G0075MQMJ	4	0.63/0.31	2.63 [67]	3.94 [100]	2.86 [73]	2.13 [54]	2.64 [67]	.22 X .44 [5.6] X [11.1]	N/A	4.16 [106]	2.1	PFBK8
100	C2G0100MQMJ	4	0.83/0.42	3.00 [76]	3.86 [98]	3.13 [79]	2.52 [64]	2.60 [66]	.22 X .44 [5.6] X [11.1]	N/A	4.43 [112]	2.6	PFBK8
150	C2G0150MQMJ	4	1.25/0.63	3.00 [76]	4.41 [112]	3.13 [79]	2.52 [64]	3.15 [80]	.22 X .44 [5.6] X [11.1]	N/A	4.43 [112]	3.8	PFBK8
250	C2G0250MQMJ	6	2.08/1.04	3.75 [95]	4.22 [107]	3.70 [94]	3.31 [84]	2.99 [76]	.22 X .44 [5.6] X [11.1]	4.05 [103]	5.00 [127]	5.7	PFBK8
350	C2G0350MQMJ	6	2.92/1.46	3.75 [95]	4.81 [122]	3.70 [94]	3.31 [84]	3.58 [91]	.22 X .44 [5.6] X [11.1]	4.05 [103]	5.00 [127]	7.2	PFBK8
500	C2G0500MQMJ	6	4.17/2.08	4.50 [114]	4.81 [122]	4.22 [107]	3.78 [96]	3.66 [93]	.31 X .81 [7.9] X [20.6]	4.57 [116]	5.52 [140]	10.6	PFBK8
750	C2G0750MQMJ	6	6.25/3.13	5.25 [133]	5.75 [146]	4.76 [121]	4.50 [114]	4.05 [103]	.31 X .81 [7.9] X [20.6]	5.11 [130]	6.06 [154]	16.6	PFBK8
1000	C2G1000MQMJ	6	8.33/4.17	5.25 [133]	6.54 [166]	4.76 [121]	4.50 [114]	4.84 [123]	.31 X .81 [7.9] X [20.6]	5.07 [129]	6.06 [154]	21.2	PFBK8
1500	C2G1500MQMJ	6	12.50/6.25	6.37 [162]	7.25 [184]	5.70 [145]	5.75 [146]	5.23 [133]	.31 X .94 [7.9] X [23.8]	5.85 [149]	7.00 [178]	34.7	PFBK8
2000	C2G2000MQMJ	6	16.67/8.33	6.37 [162]	7.64 [194]	5.70 [145]	5.75 [146]	5.63 [143]	.31 X .94 [7.9] X [23.8]	5.85 [149]	7.00 [178]	39.0	PFBK8
3000	C2G3000MQMJ	6	25.00/12.50	7.50 [191]	8.47 [215]	6.67 [169]	6.30 [160]	7.24 [184]	.44 X 1.00 [11.1] X [25.4]	6.67 [169]	7.97 [202]	58.8	PFBK8
5000	C2G5000MQMJ	6	41.67/20.83	9.00 [229]	10.02 [255]	7.92 [201]	7.43 [189]	8.03 [204]	.44 X 1.00 [11.1] X [25.4]	N/A	9.22 [234]	104.6	PFBK8

*Dimensions are in inches [mm]



GROUP K

PRIMARY VOLTAGE 277

SECONDARY VOLTAGE 120

50/60 Hz

VA Rating	Catalog Number	Mtg Fig	Output Amps	Overall Dimensions			Mounting Centers		Mounting Slot	Height with Fuse Clips	Height with Fuse Block	Approx Ship Weight Lbs	Opt. Pri. Fuse Kit P/N
				A	B	C	D	E	G X H				
50	C2G0050NJ	4	0.42	2.63 [67]	3.67 [93]	2.86 [73]	2.13 [54]	2.36 [60]	.22 X .44 [5.6] X [11.1]	N/A	4.16 [106]	1.7	PFBK8
75	C2G0075NJ	4	0.63	2.63 [67]	3.94 [100]	2.86 [73]	2.13 [54]	2.64 [67]	.22 X .44 [5.6] X [11.1]	N/A	4.16 [106]	2.1	PFBK8
100	C2G0100NJ	4	0.83	3.00 [76]	3.86 [98]	3.13 [79]	2.52 [64]	2.60 [66]	.22 X .44 [5.6] X [11.1]	N/A	4.43 [112]	2.6	PFBK8
150	C2G0150NJ	4	1.25	3.00 [76]	4.41 [112]	3.13 [79]	2.52 [64]	3.15 [80]	.22 X .44 [5.6] X [11.1]	N/A	4.43 [112]	3.7	PFBK8
250	C2G0250NJ	6	2.08	3.75 [95]	4.22 [107]	3.70 [94]	3.31 [84]	2.99 [76]	.22 X .44 [5.6] X [11.1]	4.05 [103]	5.00 [127]	5.7	PFBK8
350	C2G0350NJ	6	2.92	3.75 [95]	4.81 [122]	3.70 [94]	3.31 [84]	3.58 [91]	.22 X .44 [5.6] X [11.1]	4.05 [103]	5.00 [127]	7.2	PFBK8
500	C2G0500NJ	6	4.17	4.50 [114]	4.81 [122]	4.22 [107]	3.78 [96]	3.66 [93]	.31 X .81 [7.9] X [20.6]	4.57 [116]	5.52 [140]	10.3	PFBK8
750	C2G0750NJ	6	6.25	5.25 [133]	5.75 [146]	4.76 [121]	4.50 [114]	4.05 [103]	.31 X .81 [7.9] X [20.6]	5.07 [129]	6.06 [154]	16.0	PFBK8
1000	C2G1000NJ	6	8.33	5.25 [133]	6.54 [166]	4.76 [121]	4.50 [114]	4.84 [123]	.31 X .81 [7.9] X [20.6]	5.07 [129]	6.06 [154]	20.5	PFBK8
1500	C2G1500NJ	6	12.50	6.37 [162]	6.85 [174]	5.70 [145]	5.75 [146]	4.84 [123]	.31 X .94 [7.9] X [23.8]	5.85 [149]	7.00 [178]	32.0	PFBK8

*Dimensions are in inches [mm]



GROUP L

PRIMARY VOLTAGE 120X240

SECONDARY VOLTAGE 24

50/60 Hz

VA Rating	Catalog Number	Mtg Fig	Output Amps	Overall Dimensions			Mounting Centers		Mounting Slot	Height with Fuse Clips	Height with Fuse Block	Approx Ship Weight Lbs	Opt. Pri. Fuse Kit P/N
				A	B	C	D	E	G X H				
50	C2G0050PR	4	2.08	2.63 [67]	3.67 [93]	2.86 [73]	2.13 [54]	2.36 [60]	.22 X .44 [5.6] X [11.1]	N/A	4.16 [106]	1.7	PFBK8
75	C2G0075PR	4	3.13	2.63 [67]	3.94 [100]	2.86 [73]	2.13 [54]	2.64 [67]	.22 X .44 [5.6] X [11.1]	N/A	4.16 [106]	2.1	PFBK8
100	C2G0100PR	4	4.17	3.00 [76]	3.86 [98]	3.13 [79]	2.52 [64]	2.60 [66]	.22 X .44 [5.6] X [11.1]	N/A	4.43 [112]	2.7	PFBK8
150	C2G0150PR	4	6.25	3.00 [76]	4.41 [112]	3.13 [79]	2.52 [64]	3.15 [80]	.22 X .44 [5.6] X [11.1]	N/A	4.43 [112]	3.8	PFBK8
250	C2G0250PR	6	10.42	3.75 [95]	4.22 [107]	3.70 [94]	3.31 [84]	2.99 [76]	.22 X .44 [5.6] X [11.1]	4.05 [103]	5.00 [127]	5.8	PFBK8
350	C2G0350PR	6	14.58	4.50 [114]	4.41 [112]	4.22 [107]	3.78 [96]	3.27 [83]	.31 X .81 [7.9] X [20.6]	4.57 [116]	5.52 [140]	8.8	PFBK8
500	C2G0500PR	6	20.83	4.50 [114]	4.81 [122]	4.22 [107]	3.78 [96]	3.66 [93]	.31 X .81 [7.9] X [20.6]	4.57 [116]	5.52 [140]	10.3	PFBK8

*Dimensions are in inches [mm]



GROUP M

PRIMARY VOLTAGE 240X480

SECONDARY VOLTAGE 24

50/60 Hz

VA Rating	Catalog Number	Mtg Fig	Output Amps	Overall Dimensions			Mounting Centers		Mounting Slot	Height with Fuse Clips	Height with Fuse Block	Approx Ship Weight Lbs	Opt. Pri. Fuse Kit P/N
				A	B	C	D	E	G X H				
50	C2G0050QR	4	2.08	2.63 [67]	3.67 [93]	2.86 [73]	2.13 [54]	2.36 [60]	.22 X .44 [5.6] X [11.1]	N/A	4.16 [106]	1.7	PFBK8
75	C2G0075QR	4	3.13	2.63 [67]	3.94 [100]	2.86 [73]	2.13 [54]	2.64 [67]	.22 X .44 [5.6] X [11.1]	N/A	4.16 [106]	2.1	PFBK8
100	C2G0100QR	4	4.17	3.00 [76]	4.06 [103]	3.13 [79]	2.52 [64]	2.80 [71]	.22 X .44 [5.6] X [11.1]	N/A	4.43 [112]	2.9	PFBK8
150	C2G0150QR	4	6.25	3.00 [76]	4.41 [112]	3.13 [79]	2.52 [64]	3.15 [80]	.22 X .44 [5.6] X [11.1]	N/A	4.43 [112]	3.7	PFBK8
250	C2G0250QR	6	10.42	3.75 [95]	4.41 [112]	3.70 [94]	3.31 [84]	3.19 [81]	.22 X .44 [5.6] X [11.1]	4.05 [103]	5.00 [127]	6.2	PFBK8
350	C2G0350QR	6	14.58	3.75 [95]	5.00 [127]	3.70 [94]	3.31 [84]	3.78 [96]	.22 X .44 [5.6] X [11.1]	4.05 [103]	5.00 [127]	7.8	PFBK8
500	C2G0500QR	6	20.83	4.50 [114]	4.81 [122]	4.22 [107]	3.78 [96]	3.66 [93]	.31 X .81 [7.9] X [20.6]	4.57 [116]	5.52 [140]	10.3	PFBK8

*Dimensions are in inches [mm]



GROUP N

PRIMARY VOLTAGE 208X416 199X398 190X380

SECONDARY VOLTAGE 120X240 115X230 110X220

50/60 Hz

VA Rating	Catalog Number	Mtg Fig	Output Amps	Overall Dimensions			Mounting Centers		Mounting Slot	Height with Fuse Clips	Height with Fuse Block	Approx Ship Weight Lbs	Opt. Pri. Fuse Kit P/N
				A	B	C	D	E	G X H				
50	C2G0050SP	4	0.42/0.21	2.63 [67]	3.47 [88]	2.86 [73]	2.13 [54]	2.17 [55]	.22 X .44 [5.6] X [11.1]	N/A	4.16 [106]	1.5	PFBK8
75	C2G0075SP	4	0.63/0.31	2.63 [67]	3.94 [100]	2.86 [73]	2.13 [54]	2.64 [67]	.22 X .44 [5.6] X [11.1]	N/A	4.16 [106]	2.1	PFBK8
100	C2G0100SP	4	0.83/0.42	3.00 [76]	3.86 [98]	3.13 [79]	2.52 [64]	2.60 [66]	.22 X .44 [5.6] X [11.1]	N/A	4.43 [112]	2.7	PFBK8
150	C2G0150SP	4	1.25/0.63	3.00 [76]	4.41 [112]	3.13 [79]	2.52 [64]	3.15 [80]	.22 X .44 [5.6] X [11.1]	N/A	4.43 [112]	3.7	PFBK8
250	C2G0250SP	6	2.08/1.04	3.75 [95]	4.22 [107]	3.70 [94]	3.31 [84]	2.99 [76]	.22 X .44 [5.6] X [11.1]	4.05 [103]	5.00 [127]	5.6	PFBK8
350	C2G0350SP	6	2.92/1.46	3.75 [95]	4.81 [122]	3.70 [94]	3.31 [84]	3.58 [91]	.22 X .44 [5.6] X [11.1]	4.05 [103]	5.00 [127]	7.4	PFBK8
500	C2G0500SP	6	4.17/2.08	4.50 [114]	4.81 [122]	4.22 [107]	3.78 [96]	3.66 [93]	.31 X .81 [7.9] X [20.6]	4.57 [116]	5.52 [140]	10.8	PFBK8
750	C2G0750SP	6	6.25/3.13	5.25 [133]	5.75 [146]	4.76 [121]	4.50 [114]	4.05 [103]	.31 X .81 [7.9] X [20.6]	5.11 [130]	6.06 [154]	16.7	PFBK8
1000	C2G1000SP	6	8.33/4.17	5.25 [133]	6.54 [166]	4.76 [121]	4.50 [114]	4.84 [123]	.31 X .81 [7.9] X [20.6]	5.07 [129]	6.06 [154]	21.4	PFBK8
1500	C2G1500SP	6	12.50/6.25	6.37 [162]	7.25 [184]	5.70 [145]	5.75 [146]	5.23 [133]	.31 X .94 [7.9] X [23.8]	5.85 [149]	7.00 [178]	35.1	PFBK8
2000	C2G2000SP	6	16.67/8.33	6.37 [162]	7.64 [194]	5.70 [145]	5.75 [146]	5.63 [143]	.31 X .94 [7.9] X [23.8]	5.85 [149]	7.00 [178]	38.4	PFBK8
3000	C2G3000SP	6	25.00/12.50	7.50 [191]	8.47 [215]	6.67 [169]	6.30 [160]	7.05 [179]	.44 X 1.00 [11.1] X [25.4]	6.67 [169]	7.97 [202]	59.3	PFBK8
5000	C2G5000SP	6	41.67/20.83	9.00 [229]	10.02 [255]	7.92 [201]	7.43 [189]	8.03 [204]	.44 X 1.00 [11.1] X [25.4]	N/A	9.22 [234]	102.5	PFBK8

*Dimensions are in inches [mm]



GROUP O

PRIMARY VOLTAGE 208X416 199X398 190X380

SECONDARY VOLTAGE 24 23 22

50/60 Hz

VA Rating	Catalog Number	Mtg Fig	Output Amps	Overall Dimensions			Mounting Centers		Mounting Slot	Height with Fuse Clips	Height with Fuse Block	Approx Ship Weight Lbs	Opt. Pri. Fuse Kit P/N
				A	B	C	D	E	G X H				
50	C2G0050SR	4	2.08	2.63 [67]	3.67 [93]	2.86 [73]	2.13 [54]	2.36 [60]	.22 X .44 [5.6] X [11.1]	N/A	4.16 [106]	1.7	PFBK8
75	C2G0075SR	4	3.13	2.63 [67]	3.94 [100]	2.86 [73]	2.13 [54]	2.64 [67]	.22 X .44 [5.6] X [11.1]	N/A	4.16 [106]	2.1	PFBK8
100	C2G0100SR	4	4.17	3.00 [76]	4.06 [103]	3.13 [79]	2.52 [64]	2.80 [71]	.22 X .44 [5.6] X [11.1]	N/A	4.43 [112]	2.9	PFBK8
150	C2G0150SR	4	6.25	3.00 [76]	4.41 [112]	3.13 [79]	2.52 [64]	3.15 [80]	.22 X .44 [5.6] X [11.1]	N/A	4.43 [112]	3.7	PFBK8
250	C2G0250SR	6	10.42	3.75 [95]	4.41 [112]	3.70 [94]	3.31 [84]	3.19 [81]	.22 X .44 [5.6] X [11.1]	4.05 [103]	5.00 [127]	6.1	PFBK8
350	C2G0350SR	6	14.58	4.50 [114]	4.41 [112]	4.22 [107]	3.78 [96]	3.27 [83]	.31 X .81 [7.9] X [20.6]	4.57 [116]	5.52 [140]	8.6	PFBK8
500	C2G0500SR	6	20.83	4.50 [114]	4.81 [122]	4.22 [107]	3.78 [96]	3.66 [93]	.31 X .81 [7.9] X [20.6]	4.57 [116]	5.52 [140]	10.5	PFBK8

*Dimensions are in inches [mm]



GROUP P

PRIMARY VOLTAGE 347/277/240/208

SECONDARY VOLTAGE 120/24

50/60 Hz

VA Rating	Catalog Number	Mtg Fig	Output Amps	Overall Dimensions			Mounting Centers		Mounting Slot	Height with Fuse Clips	Height with Fuse Block	Approx Ship Weight Lbs	Opt. Pri. Fuse Kit P/N
				A	B	C	D	E	G X H				
50	C2G0050TI	4	0.42/2.08	2.63 [67]	3.94 [100]	2.86 [73]	2.13 [54]	2.64 [67]	.22 X .44 [5.6] X [11.1]	N/A	4.16 [106]	2.1	PFBK8
75	C2G0075TI	4	0.63/3.13	3.00 [76]	4.06 [103]	3.13 [79]	2.52 [64]	2.80 [71]	.22 X .44 [5.6] X [11.1]	N/A	4.43 [112]	3.0	PFBK8
100	C2G0100TI	6	0.83/4.17	3.75 [95]	3.70 [94]	3.70 [94]	3.31 [84]	2.48 [63]	.22 X .44 [5.6] X [11.1]	N/A	5.00 [127]	3.9	PFBK8
150	C2G0150TI	6	1.25/6.25	3.75 [95]	4.02 [102]	3.70 [94]	3.31 [84]	2.80 [71]	.22 X .44 [5.6] X [11.1]	N/A	5.00 [127]	4.9	PFBK8
250	C2G0250TI	6	2.08/10.42	3.75 [95]	4.81 [122]	3.70 [94]	3.31 [84]	3.58 [91]	.22 X .44 [5.6] X [11.1]	4.05 [103]	5.00 [127]	7.1	PFBK8
350	C2G0350TI	6	2.92/14.58	4.50 [114]	4.81 [122]	4.22 [107]	3.78 [96]	3.66 [93]	.31 X .81 [7.9] X [20.6]	4.57 [116]	5.52 [140]	10.1	PFBK8
500	C2G0500TI	6	4.17/20.83	4.50 [114]	5.52 [140]	4.22 [107]	3.78 [96]	4.37 [111]	.31 X .81 [7.9] X [20.6]	4.57 [116]	5.52 [140]	12.9	PFBK8

*Dimensions are in inches [mm]



GROUP Q

PRIMARY VOLTAGE 600/480/415/240 575/460/398/230 550/440/380/220

SECONDARY VOLTAGE 120/110 115/95 110/92

50/60 Hz

VA Rating	Catalog Number	Mtg Fig	Output Amps	Overall Dimensions			Mounting Centers		Mounting Slot	Height with Fuse Clips	Height with Fuse Block	Approx Ship Weight Lbs	Opt. Pri. Fuse Kit P/N
				A	B	C	D	E	G X H				
50	C2G0050XMH	4	0.43	2.63 [67]	3.94 [100]	2.86 [73]	2.13 [54]	2.64 [67]	.22 X .44 [5.6] X [11.1]	N/A	4.16 [106]	2.1	PFBK8
75	C2G0075XMH	4	0.65	3.00 [76]	3.86 [98]	3.13 [79]	2.52 [64]	2.60 [66]	.22 X .44 [5.6] X [11.1]	N/A	4.43 [112]	2.7	PFBK8
100	C2G0100XMH	4	0.87	3.00 [76]	4.26 [108]	3.13 [79]	2.52 [64]	2.95 [75]	.22 X .44 [5.6] X [11.1]	N/A	4.43 [112]	3.4	PFBK8
150	C2G0150XMH	6	1.30	3.75 [95]	4.02 [102]	3.70 [94]	3.31 [84]	2.80 [71]	.22 X .44 [5.6] X [11.1]	N/A	5.00 [127]	5.0	PFBK8
250	C2G0250XMH	6	2.17	3.75 [95]	4.81 [122]	3.70 [94]	3.31 [84]	3.58 [91]	.22 X .44 [5.6] X [11.1]	4.05 [103]	5.00 [127]	7.4	PFBK8
350	C2G0350XMH	6	3.04	4.50 [114]	4.81 [122]	4.22 [107]	3.78 [96]	3.66 [93]	.31 X .81 [7.9] X [20.6]	4.57 [116]	5.52 [140]	10.2	PFBK8
500	C2G0500XMH	6	4.35	4.50 [114]	5.52 [140]	4.22 [107]	3.78 [96]	4.37 [111]	.31 X .81 [7.9] X [20.6]	4.57 [116]	5.52 [140]	13.0	PFBK8
750	C2G0750XMH	6	6.52	5.25 [133]	6.54 [166]	4.76 [121]	4.50 [114]	4.84 [123]	.31 X .81 [7.9] X [20.6]	5.11 [130]	6.06 [154]	20.6	PFBK8
1000	C2G1000XMH	6	8.70	5.25 [133]	7.52 [191]	4.76 [121]	4.50 [114]	5.82 [148]	.31 X .81 [7.9] X [20.6]	5.07 [129]	6.06 [154]	26.3	PFBK8
1500	C2G1500XMH	6	13.04	6.37 [162]	7.25 [184]	5.70 [145]	5.75 [146]	5.23 [133]	.31 X .94 [7.9] X [23.8]	5.85 [149]	7.00 [178]	35.1	PFBK8
2000	C2G2000XMH	6	17.39	7.50 [191]	8.47 [215]	6.67 [169]	6.30 [160]	7.05 [179]	.44 X 1.00 [11.1] X [25.4]	6.82 [173]	7.97 [202]	54.7	PFBK8
3000	C2G3000XMH	6	26.09	9.00 [229]	9.23 [235]	7.92 [201]	7.43 [189]	7.24 [184]	.44 X 1.00 [11.1] X [25.4]	7.92 [201]	9.22 [234]	85.0	PFBK8

*Dimensions are in inches [mm]



GROUP R

PRIMARY VOLTAGE 800

SECONDARY VOLTAGE 120

50/60 Hz

VA Rating	Catalog Number	Mtg Fig	Output Amps	Overall Dimensions			Mounting Centers		Mounting Slot	Height with Fuse Clips	Height with Fuse Block	Approx Ship Weight Lbs	Opt. Pri. Fuse Kit P/N
				A	B	C	D	E	G X H				
50	C2G0050YJ	4	0.42	2.63 [67]	3.67 [93]	2.86 [73]	2.13 [54]	2.36 [60]	.22 X .44 [5.6] X [11.1]	N/A	4.16 [106]	1.7	PFBK8
75	C2G0075YJ	4	0.63	2.63 [67]	3.94 [100]	2.86 [73]	2.13 [54]	2.64 [67]	.22 X .44 [5.6] X [11.1]	N/A	4.16 [106]	2.1	PFBK8
100	C2G0100YJ	4	0.83	3.00 [76]	3.86 [98]	3.13 [79]	2.52 [64]	2.60 [66]	.22 X .44 [5.6] X [11.1]	N/A	4.43 [112]	2.7	PFBK8
150	C2G0150YJ	4	1.25	3.00 [76]	4.26 [108]	3.13 [79]	2.52 [64]	2.95 [75]	.22 X .44 [5.6] X [11.1]	N/A	4.43 [112]	3.4	PFBK8
250	C2G0250YJ	6	2.08	3.75 [95]	4.22 [107]	3.70 [94]	3.31 [84]	2.99 [76]	.22 X .44 [5.6] X [11.1]	4.05 [103]	5.00 [127]	5.6	PFBK8
350	C2G0350YJ	6	2.92	3.75 [95]	4.81 [122]	3.70 [94]	3.31 [84]	3.58 [91]	.22 X .44 [5.6] X [11.1]	4.05 [103]	5.00 [127]	7.3	PFBK8
500	C2G0500YJ	6	4.17	4.50 [114]	4.81 [122]	4.22 [107]	3.78 [96]	3.66 [93]	.31 X .81 [7.9] X [20.6]	4.57 [116]	5.52 [140]	10.4	PFBK8
750	C2G0750YJ	6	6.25	4.50 [114]	5.52 [140]	4.22 [107]	3.78 [96]	4.37 [111]	.31 X .81 [7.9] X [20.6]	4.57 [116]	5.52 [140]	13.5	PFBK8
1000	C2G1000YJ	6	8.33	5.25 [133]	6.54 [166]	4.76 [121]	4.50 [114]	4.84 [123]	.31 X .81 [7.9] X [20.6]	5.07 [129]	6.06 [154]	20.9	PFBK8
1500	C2G1500YJ	6	12.50	6.37 [162]	6.85 [174]	5.70 [145]	5.75 [146]	4.84 [123]	.31 X .94 [7.9] X [23.8]	5.85 [149]	7.00 [178]	32.5	PFBK8
2000	C2G2000YJ	6	16.67	6.37 [162]	7.64 [194]	5.70 [145]	5.75 [146]	5.63 [143]	.31 X .94 [7.9] X [23.8]	5.85 [149]	7.00 [178]	37.5	PFBK8
3000	C2G3000YJ	6	25.00	7.50 [191]	8.47 [215]	6.67 [169]	6.30 [160]	7.05 [179]	.44 X 1.00 [11.1] X [25.4]	6.67 [169]	7.97 [202]	57.4	PFBK8
5000	C2G5000YJ	6	41.67	9.00 [229]	10.02 [255]	7.92 [201]	7.43 [189]	8.03 [204]	.44 X 1.00 [11.1] X [25.4]	N/A	9.22 [234]	99.7	PFBK8

*Dimensions are in inches [mm]



GROUP S

PRIMARY VOLTAGE 690
 SECONDARY VOLTAGE 120X240

50/60 Hz

VA Rating	Catalog Number	Mtg Fig	Output Amps	Overall Dimensions			Mounting Centers		Mounting Slot	Height with Fuse Clips	Height with Fuse Block	Approx Ship Weight Lbs	Opt. Pri. Fuse Kit P/N
				A	B	C	D	E	G X H				
50	C2G0050ZJ	4	0.42/0.21	2.63 [67]	3.67 [93]	2.86 [73]	2.13 [54]	2.36 [60]	.22 X .44 [5.6] X [11.1]	N/A	4.16 [106]	1.7	PFBK8
75	C2G0075ZJ	4	0.63/0.31	2.63 [67]	3.94 [100]	2.86 [73]	2.13 [54]	2.64 [67]	.22 X .44 [5.6] X [11.1]	N/A	4.16 [106]	2.1	PFBK8
100	C2G0100ZJ	4	0.83/0.42	3.00 [76]	3.86 [98]	3.13 [79]	2.52 [64]	2.60 [66]	.22 X .44 [5.6] X [11.1]	N/A	4.43 [112]	2.6	PFBK8
150	C2G0150ZJ	4	1.25/0.63	3.00 [76]	4.41 [112]	3.13 [79]	2.52 [64]	3.15 [80]	.22 X .44 [5.6] X [11.1]	N/A	4.43 [112]	3.6	PFBK8
250	C2G0250ZJ	6	2.08/1.04	3.75 [95]	4.22 [107]	3.70 [94]	3.31 [84]	2.99 [76]	.22 X .44 [5.6] X [11.1]	4.05 [103]	5.00 [127]	5.6	PFBK8
350	C2G0350ZJ	6	2.92/1.46	3.75 [95]	4.81 [122]	3.70 [94]	3.31 [84]	3.58 [91]	.22 X .44 [5.6] X [11.1]	4.05 [103]	5.00 [127]	7.2	PFBK8
500	C2G0500ZJ	6	4.17/2.08	4.50 [114]	4.81 [122]	4.22 [107]	3.78 [96]	3.66 [93]	.31 X .81 [7.9] X [20.6]	4.57 [116]	5.52 [140]	10.5	PFBK8
750	C2G0750ZJ	6	6.25/3.13	4.50 [114]	5.52 [140]	4.22 [107]	3.78 [96]	4.37 [111]	.31 X .81 [7.9] X [20.6]	4.57 [116]	5.52 [140]	13.6	PFBK8
1000	C2G1000ZJ	6	8.33/4.17	5.25 [133]	6.54 [166]	4.76 [121]	4.50 [114]	4.84 [123]	.31 X .81 [7.9] X [20.6]	5.07 [129]	6.06 [154]	20.6	PFBK8
1500	C2G1500ZJ	6	12.50/6.25	6.37 [162]	6.85 [174]	5.70 [145]	5.75 [146]	4.84 [123]	.31 X .94 [7.9] X [23.8]	5.85 [149]	7.00 [178]	32.0	PFBK8
2000	C2G2000ZJ	6	16.67/8.33	6.37 [162]	7.25 [184]	5.70 [145]	5.75 [146]	5.23 [133]	.31 X .94 [7.9] X [23.8]	5.85 [149]	7.00 [178]	35.2	PFBK8
3000	C2G3000ZJ	6	25.00/12.50	7.50 [191]	8.47 [215]	6.67 [169]	6.30 [160]	7.05 [179]	.44 X 1.00 [11.1] X [25.4]	6.67 [169]	7.97 [202]	56.7	PFBK8
5000	C2G5000ZJ	6	41.67/20.83	9.00 [229]	9.23 [235]	7.92 [201]	7.43 [189]	7.24 [184]	.44 X 1.00 [11.1] X [25.4]	N/A	9.22 [234]	94.0	PFBK8

*Dimensions are in inches [mm]

MOUNTING FIGURES

Fig. 4

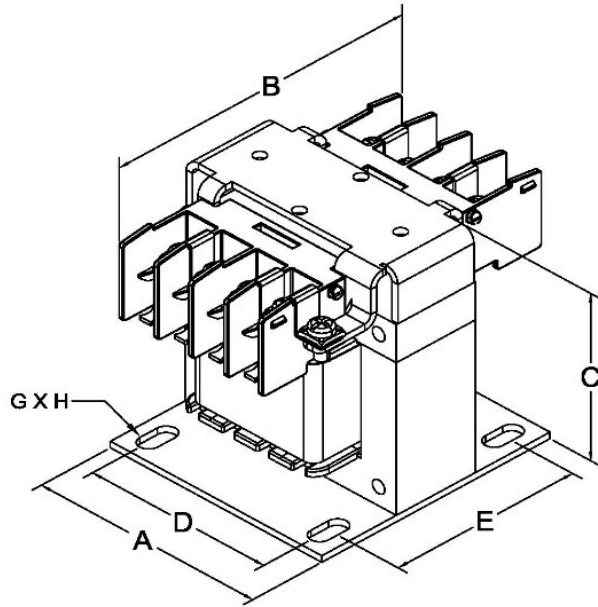


Fig. 6

