

HPS Centurion® R Reactors

power to perform



HPS Centurion® R Line Reactor

HPS Centurion® R Reactor

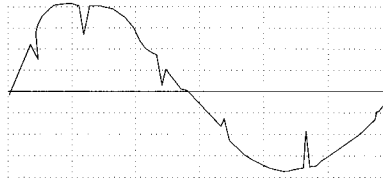
The new HPS Centurion® R reactor provides a unique blend of improved performance and reliability while reducing the product footprint. HPS Centurion® R reactors deliver protection for your motors and AC drives, while minimizing power system harmonics. They are available in standard ratings from 0.5 HP (373 Watts) to 1000 HP (746 kilowatts), up to 690 V and are fully compliant with UL, CSA, CE, IEC, and NEMA standards.

The efficient and cost effective HPS Centurion® R reactors are built to satisfy the power quality needs of demanding AC drive applications.

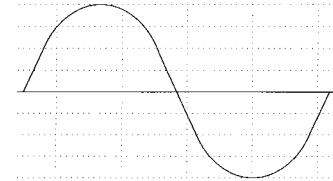


Why Choose a Reactor?

HPS reactors are designed to address line-side issues associated with variable frequency drives. They attenuate voltage and current transients that can cause nuisance tripping of a drive. Reactors also minimize harmonic current levels within the drive supply circuit. When used on the output side of IGBT-based, PWM-type AC drives, HPS reactors reduce the motor operating temperature and audible noise by moderating line transients seen by the motor. The use of HPS reactors enhances the overall system performance, life expectancy, and efficiency of the motor.



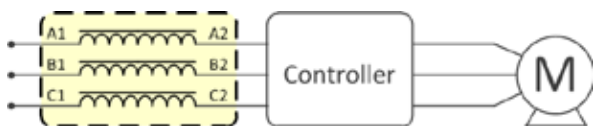
Voltage waveform illustrating line notching caused by the DC rectifier in typical AC drives



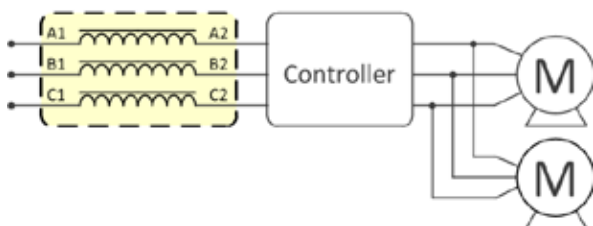
Ideal sine wave from the utility supply

Connection Diagram

(a) single motor

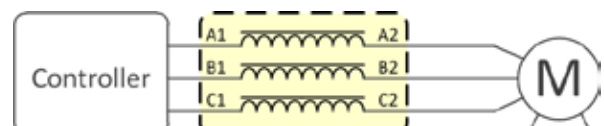


(b) multiple motors

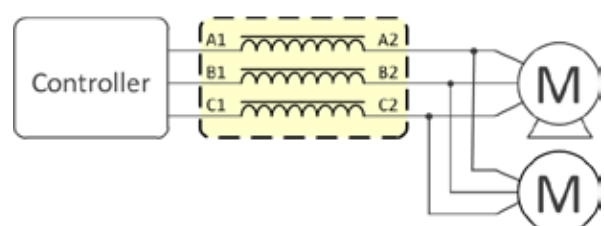


Input Side

(a) single motor



(b) multiple motors



Output Side

CONSTRUCTION

Assembly

- The impedance of the reactors is accurately controlled by maintaining the core gaps in the flux path.
- In some HP ranges, bobbins are used to provide exceptional mechanical strength and increase the product reliability.
- Every reactor is vacuum pressure impregnated (VPI) with VT (vinyl-toluene) Polyester Resin to minimize audible noise.

Terminations

- Finger-proof terminal blocks are provided on rated currents of approximately below 65 Amps.
- Terminal pads are supplied on approximately 65 Amps and above.
 - Terminal pads are brazed to ensure electrical integrity.

Mounting

- Core and Coil: Floor mounting available on all units. Wall and ceiling mounting available on units up to 200lbs.
- Enclosed: Floor mounting available on all units. Wall and ceiling mounting available on enclosure style N1, N2, CH2 and CH4 only.

SPECIFICATIONS

| | | |
|---------------------------------------|--|-----------------|
| Power Rating: | 0.5 to 1250 HP (0.37 - 932 kW) | |
| Impedance Rating: | 1.5%, 3% and 5% | |
| System Frequency: | 50/60 Hertz* | |
| System Voltage Ratings: | 120 V, 208 V, 240 V, 480 V, 600 V and 690 V (de-rated) at 60 Hz | |
| | 380 V, 525 V and 690 V at 50 Hz | |
| Altitude (de-rating): | Comply with NEMA ST20 | |
| Inductance Tolerance: | +15/-10% | |
| Inductance Curve: | % Nominal Inductance | % Rated Current |
| | 100 | 100 |
| | 95 | 110 |
| | 80 | 150 |
| | 50 | 200 |
| Dielectric strength to ground: | 4000 volts for 1 minute or equivalent | |
| Cooling Method: | Natural convection | |
| Insulation System: | - 70°C rise over average 50°C ambient for 130°C Temperature Class with Temperature Insulation Class up to 40A - 115°C rise over average 50°C ambient for 180°C and 220°C Temperature Classes with Temperature Insulation Classes on units larger than 40A | |
| Warranty: | 10 year limited warranty | |

* Impedance levels are for 60 Hz operation

specifications subject to change

Enclosures

- Type 1 standard (3R available; consult HPS for availability of enclosed units)
- Rugged steel enclosures with UL50 ANSI 61 grey paint
- Enclosure Kits are available separately allowing assembly in an approved facility.

Specials

- For special applications or for any features that you may require beyond the standard line listed, please contact our sales office.

BENEFITS

- Mitigate nuisance tripping
- Extend the life of switching components and motors
- Reduce audible motor noise and motor operating temperature
- Mitigate the effect of long lead length
- Minimize harmonic distortion
- Reduce line notching

APPLICATIONS



Oil & Gas



Irrigation Fields



Wastewater



Food Processing



HVAC



Pharmaceutical



Steel



Pulp & Paper



Automotive

COMPLIANCE & APPROVALS

HPS Centurion® R is certified to the following standards:

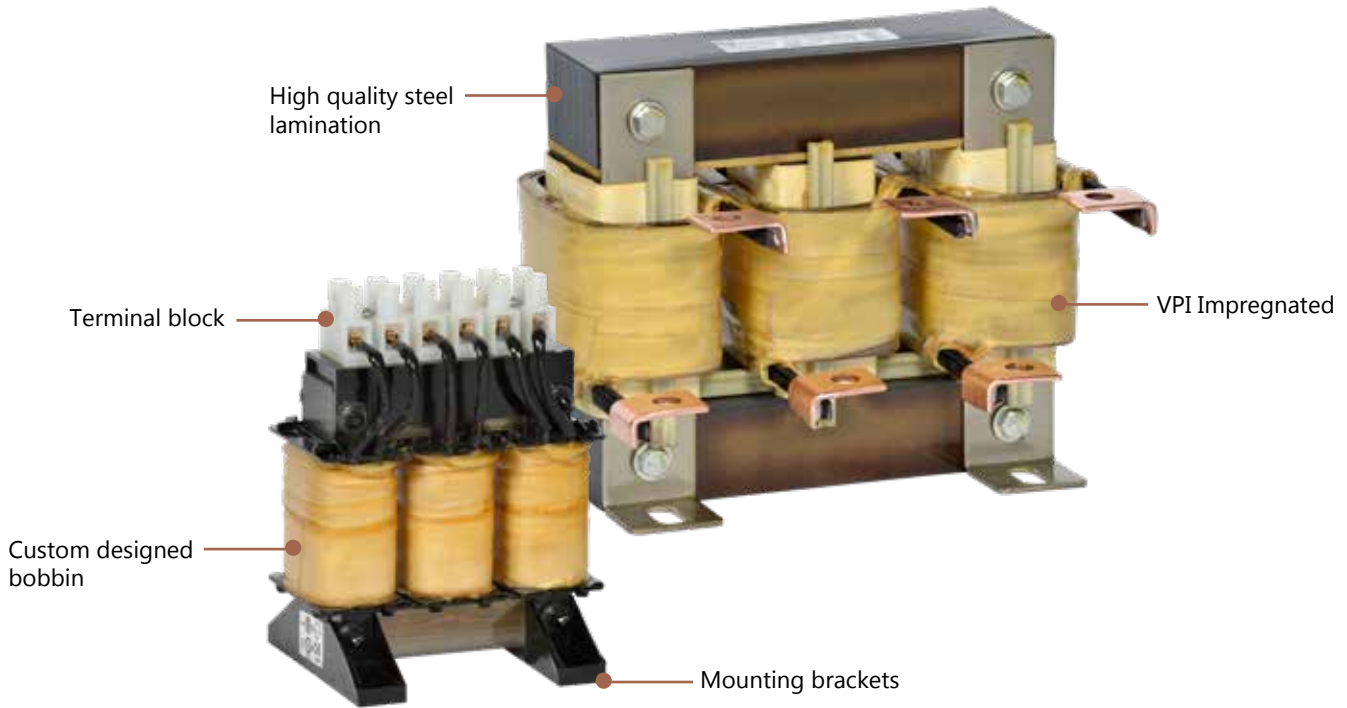
- UL 508
- CSA C9
- CSA C22.2 No. 47 standards
- CE Mark (IEC 61558-2-20:2000)
- UL Listed (up to 600 V), file No. E61431
- CSA Certified file No. LR3902
- IEC 61558-2-20



HPS Centurion® R

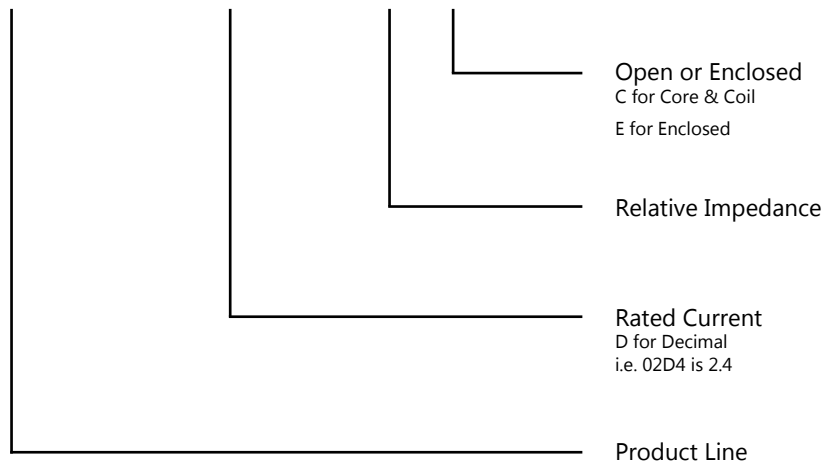
Line Reactor

HPS Centurion® R Features



HPS Centurion® R Part Number Guide

| | | | | | | | | |
|----------|----------|----------|----------|----------|----------|----------|----------|----------|
| C | R | X | 1 | 2 | 3 | 4 | A | E |
|----------|----------|----------|----------|----------|----------|----------|----------|----------|



SELECTION TABLES

| HP Rating | 208 Volt - 60Hz | | | | | |
|-----------|-----------------|-----------------------|--------------------|---------------|-----------------------|--------------------|
| | 3% Impedance* | | | 5% Impedance* | | |
| | Amps | Core & Coil Part Num. | Enclosed Part Num. | Amps | Core & Coil Part Num. | Enclosed Part Num. |
| 0.5 | 2.4 | CRX02D4BC | CRX02D4BE | 2.4 | CRX02D4DC | CRX02D4DE |
| 0.75 | 3.5 | CRX03D5AC | CRX03D5AE | 3.5 | CRX03D5DC | CRX03D5DE |
| 1 | 4.6 | CRX04D6BC | CRX04D6BE | 4.6 | CRX04D6CC | CRX04D6CE |
| 1.5 | 6.6 | CRX06D6BC | CRX06D6BE | 6.6 | CRX06D6CC | CRX06D6CE |
| 2 | 7.5 | CRX07D5AC | CRX07D5AE | 7.5 | CRX07D5DC | CRX07D5DE |
| 3 | 10.7 | CRX10D7BC | CRX10D7BE | 10.7 | CRX10D7DC | CRX10D7DE |
| 5 | 16.7 | CRX16D7BC | CRX16D7BE | 16.7 | CRX16D7DC | CRX16D7DE |
| 7.5 | 24 | CRX0024AC | CRX0024AE | 24 | CRX0024CC | CRX0024CE |
| 10 | 31 | CRX0031BC | CRX0031BE | 31 | CRX0031CC | CRX0031CE |
| 15 | 46 | CRX0046BC | CRX0046BE | 46 | CRX0046CC | CRX0046CE |
| 20 | 59 | CRX0059AC | CRX0059AE | 59 | CRX0059CC | CRX0059CE |
| 25 | 75 | CRX0075AC | CRX0075AE | 75 | CRX0075CC | CRX0075CE |
| 30 | 88 | CRX0088BC | CRX0088BE | 88 | CRX0088CC | CRX0088CE |
| 40 | 114 | CRX0114AC | CRX0114AE | 114 | CRX0114CC | CRX0114CE |
| 50 | 143 | CRX0143AC | CRX0143AE | 143 | CRX0143DC | CRX0143DE |
| 60 | 170 | CRX0170BC | CRX0170BE | 170 | CRX0170DC | CRX0170DE |
| 75 | 211 | CRX0211BC | CRX0211BE | 211 | CRX0211CC | CRX0211CE |
| 100 | 273 | CRX0273BC | CRX0273BE | 273 | CRX0273CC | CRX0273CE |
| 125 | 343 | CRX0343BC | CRX0343BE | 343 | CRX0343CC | CRX0343CE |
| 150 | 396 | CRX0396BC | CRX0396BE | 396 | CRX0396DC | CRX0396DE |
| 200 | 528 | CRX0528BC | CRX0528BE | 528 | CRX0528CC | CRX0528CE |

| HP Rating | 240 Volt - 60Hz | | | | | |
|-----------|-----------------|-----------------------|--------------------|---------------|-----------------------|--------------------|
| | 3% Impedance* | | | 5% Impedance* | | |
| | Amps | Core & Coil Part Num. | Enclosed Part Num. | Amps | Core & Coil Part Num. | Enclosed Part Num. |
| 0.5 | 2.4 | CRX02D4AC | CRX02D4AE | 2.4 | CRX02D4CC | CRX02D4CE |
| 0.75 | 3.5 | CRX03D5BC | CRX03D5BE | 3.5 | CRX03D5CC | CRX03D5CE |
| 1 | 4.6 | CRX04D6AC | CRX04D6AE | 4.6 | CRX04D6CC | CRX04D6CE |
| 1.5 | 6.6 | CRX06D6AC | CRX06D6AE | 6.6 | CRX06D6CC | CRX06D6CE |
| 2 | 7.5 | CRX07D5BC | CRX07D5BE | 7.5 | CRX07D5CC | CRX07D5CE |
| 3 | 10.7 | CRX10D7AC | CRX10D7AE | 10.7 | CRX10D7CC | CRX10D7CE |
| 5 | 16.7 | CRX16D7AC | CRX16D7AE | 16.7 | CRX16D7CC | CRX16D7CE |
| 7.5 | 24 | CRX0024BC | CRX0024BE | 24 | CRX0024CC | CRX0024CE |
| 10 | 31 | CRX0031AC | CRX0031AE | 31 | CRX0031DC | CRX0031DE |
| 15 | 46 | CRX0046AC | CRX0046AE | 46 | CRX0046DC | CRX0046DE |
| 20 | 59 | CRX0059BC | CRX0059BE | 59 | CRX0059DC | CRX0059DE |
| 25 | 75 | CRX0075BC | CRX0075BE | 75 | CRX0075DC | CRX0075DE |
| 30 | 88 | CRX0088AC | CRX0088AE | 88 | CRX0088DC | CRX0088DE |
| 40 | 114 | CRX0114BC | CRX0114BE | 114 | CRX0114DC | CRX0114DE |
| 50 | 143 | CRX0143BC | CRX0143BE | 143 | CRX0143CC | CRX0143CE |
| 60 | 170 | CRX0170AC | CRX0170AE | 170 | CRX0170CC | CRX0170CE |
| 75 | 211 | CRX0211AC | CRX0211AE | 211 | CRX0211DC | CRX0211DE |
| 100 | 273 | CRX0273AC | CRX0273AE | 273 | CRX0273DC | CRX0273DE |
| 125 | 343 | CRX0343AC | CRX0343AE | 343 | CRX0343DC | CRX0343DE |
| 150 | 396 | CRX0396AC | CRX0396AE | 396 | CRX0396CC | CRX0396CE |
| 200 | 528 | CRX0528AC | CRX0528AE | 528 | CRX0528DC | CRX0528DE |

| HP Rating | 480 Volt - 60Hz | | | | | |
|-----------|-----------------|-----------------------|--------------------|---------------|-----------------------|--------------------|
| | 3% Impedance* | | | 5% Impedance* | | |
| | Amps | Core & Coil Part Num. | Enclosed Part Num. | Amps | Core & Coil Part Num. | Enclosed Part Num. |
| 0.5 | 1.1 | CRX01D1AC | CRX01D1AE | 1.1 | CRX01D1BC | CRX01D1BE |
| 0.75 | 1.6 | CRX01D6AC | CRX01D6AE | 1.6 | CRX01D6BC | CRX01D6BE |
| 1 | 2.1 | CRX02D1AC | CRX02D1AE | 2.1 | CRX02D1BC | CRX02D1BE |
| 1.5 | 3 | CRX0003AC | CRX0003AE | 3 | CRX0003BC | CRX0003BE |
| 2 | 3.4 | CRX03D4AC | CRX03D4AE | 3.4 | CRX03D4BC | CRX03D4BE |
| 3 | 4.8 | CRX04D8AC | CRX04D8AE | 4.8 | CRX04D8BC | CRX04D8BE |
| 5 | 7.6 | CRX07D6AC | CRX07D6AE | 7.6 | CRX07D6BC | CRX07D6BE |
| 7.5 | 11 | CRX0011BC | CRX0011BE | 11 | CRX0011CC | CRX0011CE |
| 10 | 14 | CRX0014AC | CRX0014AE | 14 | CRX0014BC | CRX0014BE |
| 15 | 21 | CRX0021AC | CRX0021AE | 21 | CRX0021BC | CRX0021BE |
| 20 | 27 | CRX0027BC | CRX0027BE | 27 | CRX0027CC | CRX0027CE |
| 25 | 34 | CRX0034AC | CRX0034AE | 34 | CRX0034BC | CRX0034BE |
| 30 | 40 | CRX0040AC | CRX0040AE | 40 | CRX0040BC | CRX0040BE |
| 40 | 52 | CRX0052BC | CRX0052BE | 52 | CRX0052DC | CRX0052DE |
| 50 | 65 | CRX0065AC | CRX0065AE | 65 | CRX0065BC | CRX0065BE |
| 60 | 77 | CRX0077AC | CRX0077AE | 77 | CRX0077DC | CRX0077DE |
| 75 | 96 | CRX0096AC | CRX0096AE | 96 | CRX0096BC | CRX0096BE |
| 100 | 124 | CRX0124AC | CRX0124AE | 124 | CRX0124BC | CRX0124BE |
| 125 | 156 | CRX0156AC | CRX0156AE | 156 | CRX0156BC | CRX0156BE |
| 150 | 180 | CRX0180AC | CRX0180AE | 180 | CRX0180BC | CRX0180BE |
| 200 | 240 | CRX0240AC | CRX0240AE | 240 | CRX0240BC | CRX0240BE |
| 250 | 302 | CRX0302AC | CRX0302AE | 302 | CRX0302BC | CRX0302BE |
| 300 | 361 | CRX0361AC | CRX0361AE | 361 | CRX0361BC | CRX0361BE |
| 350 | 414 | CRX0414AC | CRX0414AE | 414 | CRX0414BC | CRX0414BE |
| 400 | 477 | CRX0477AC | CRX0477AE | 477 | CRX0477BC | CRX0477BE |
| 450 | 515 | CRX0515AC | CRX0515AE | 515 | CRX0515BC | CRX0515BE |
| 500 | 590 | CRX0590AC | CRX0590AE | 590 | CRX0590BC | CRX0590BE |
| 600 | 720 | CRX0720AC | CRX0720AE | 750 | CRX0750DC | CRX0750DE |
| 700 | 840 | CRX0840AC | CRX0840AE | 900 | CRX0900DC | CRX0900DE |
| 800 | 960 | CRX0960AC | CRX0960AE | 1000 | CRX1000DC | CRX1000DE |
| 900 | 1080 | CRX1080AC | CRX1080AE | 1080 | Consult Factory | |
| 1000 | 1200 | CRX1200AC | CRX1200AE | 1200 | CRX1200DC | CRX1200DE |

| HP Rating | 600 Volt - 60Hz | | | | | |
|-----------|----------------------------|-----------------------|--------------------|----------------------------|-----------------------|--------------------|
| | 3% Impedance* ¹ | | | 5% Impedance* ¹ | | |
| | Amps | Core & Coil Part Num. | Enclosed Part Num. | Amps | Core & Coil Part Num. | Enclosed Part Num. |
| 0.5 | 1 | CRX0001AC | CRX0001AE | 1 | CRX0001BC | CRX0001BE |
| 0.75 | 1.4 | CRX01D4AC | CRX01D4AE | 1.4 | CRX01D4BC | CRX01D4BE |
| 1 | 1.8 | CRX01D8AC | CRX01D8AE | 1.8 | CRX01D8BC | CRX01D8BE |
| 1.5 | 2.6 | CRX02D6AC | CRX02D6AE | 2.6 | CRX02D6BC | CRX02D6BE |
| 2 | 2.7 | CRX02D7AC | CRX02D7AE | 2.7 | CRX02D7BC | CRX02D7BE |
| 3 | 3.9 | CRX03D9AC | CRX03D9AE | 3.9 | CRX03D9BC | CRX03D9BE |
| 5 | 6.1 | CRX06D1AC | CRX06D1AE | 6.1 | CRX06D1BC | CRX06D1BE |
| 7.5 | 9 | CRX0009AC | CRX0009AE | 9 | CRX0009BC | CRX0009BE |
| 10 | 11 | CRX0011AC | CRX0011AE | 11 | CRX0011DC | CRX0011DE |
| 15 | 17 | CRX0017AC | CRX0017AE | 17 | CRX0017BC | CRX0017BE |
| 20 | 22 | CRX0022AC | CRX0022AE | 22 | CRX0022BC | CRX0022BE |
| 25 | 27 | CRX0027AC | CRX0027AE | 27 | CRX0027DC | CRX0027DE |
| 30 | 32 | CRX0032AC | CRX0032AE | 32 | CRX0032BC | CRX0032BE |
| 40 | 41 | CRX0041AC | CRX0041AE | 41 | CRX0041BC | CRX0041BE |
| 50 | 52 | CRX0052AC | CRX0052AE | 52 | CRX0052CC | CRX0052CE |
| 60 | 62 | CRX0062AC | CRX0062AE | 62 | CRX0062BC | CRX0062BE |
| 75 | 77 | CRX0077BC | CRX0077BE | 77 | CRX0077CC | CRX0077CE |
| 100 | 99 | CRX0099AC | CRX0099AE | 99 | CRX0099BC | CRX0099BE |
| 125 | 125 | CRX0125AC | CRX0125AE | 125 | CRX0125BC | CRX0125BE |
| 150 | 144 | CRX0144AC | CRX0144AE | 144 | CRX0144BC | CRX0144BE |
| 200 | 192 | CRX0192AC | CRX0192AE | 192 | CRX0192BC | CRX0192BE |
| 250 | 242 | CRX0242AC | CRX0242AE | 242 | CRX0242BC | CRX0242BE |
| 300 | 289 | CRX0289AC | CRX0289AE | 289 | CRX0289BC | CRX0289BE |
| 350 | 336 | CRX0336AC | CRX0336AE | 336 | CRX0336BC | CRX0336BE |
| 400 | 382 | CRX0382AC | CRX0382AE | 382 | CRX0382BC | CRX0382BE |
| 450 | 412 | CRX0412AC | CRX0412AE | 412 | CRX0412BC | CRX0412BE |
| 500 | 472 | CRX0472AC | CRX0472AE | 472 | CRX0472BC | CRX0472BE |
| 600 | 600 | CRX0600CC | CRX0600CE | 600 | CRX0600EC | CRX0600EE |
| 700 | 700 | CRX0700CC | CRX0700CE | 700 | CRX0700EC | CRX0700EE |
| 800 | 750 | CRX0750CC | CRX0750CE | 750 | CRX0750EC | CRX0750EE |
| 900 | 900 | CRX0900CC | CRX0900CE | 900 | CRX0900EC | CRX0900EE |
| 1000 | 1000 | CRX1000CC | CRX1000CE | 1000 | CRX1000EC | CRX1000EE |
| 1250 | 1200 | CRX1200CC | CRX1200CE | 1200 | CRX1200EC | CRX1200EE |

*Impedance levels are for 60 Hz operation

¹De-rated for 690V

All dimensions in inches

Refer to page 18 for drawings

HPS Centurion® R

Line Reactor

SELECTION TABLES Continued...

| HP Rating (kW) | 380 Volt - 50Hz | | | | | |
|----------------|-----------------|-----------------------|--------------------|---------------|-----------------------|--------------------|
| | 3% Impedance* | | | 5% Impedance* | | |
| | Amps | Core & Coil Part Num. | Enclosed Part Num. | Amps | Core & Coil Part Num. | Enclosed Part Num. |
| 1 (0.75) | 2.1 | CRX02D1NC | CRX02D1NE | 2.1 | CRX02D1PC | CRX02D1PE |
| 1.5 (1.1) | 3.0 | CRX0003NC | CRX0003NE | 3.0 | CRX0003PC | CRX0003PE |
| 2 (1.5) | 3.7 | Consult Factory | Consult Factory | 3.7 | Consult Factory | Consult Factory |
| 3 | 4.8 | CRX04D8NC | CRX04D8NE | 4.8 | CRX04D8PC | CRX04D8PE |
| 5 | 8.0 | CRX0008NC | CRX0008NE | 8.0 | CRX0008PC | CRX0008PE |
| 7.5 | 11.8 | CRX11D8NC | CRX11D8NE | 11.8 | CRX11D8PC | CRX11D8PE |
| 10 | 15.6 | CRX15D6NC | CRX15D6NE | 15.6 | CRX15D6PC | CRX15D6PE |
| 15 | 23.0 | CRX0023NC | CRX0023NE | 23.0 | CRX0023PC | CRX0023PE |
| 20 | 30.5 | CRX30D5NC | CRX30D5NE | 30.5 | CRX30D5PC | CRX30D5PE |
| 25 | 37.8 | CRX37D8NC | CRX37D8NE | 37.8 | CRX37D8PC | CRX37D8PE |
| 30 | 45.2 | CRX45D2NC | CRX45D2NE | 45.2 | CRX45D2PC | CRX45D2PE |
| 40 | 59.8 | CRX59D8NC | CRX59D8NE | 59.8 | CRX59D8PC | CRX59D8PE |
| 50 | 74.4 | CRX74D4NC | CRX74D4NE | 74.4 | CRX74D4PC | CRX74D4PE |
| 60 | 89.0 | CRX0089NC | CRX0089NE | 89.0 | CRX0089PC | CRX0089PE |
| 75 | 110.7 | Consult Factory | Consult Factory | 110.7 | CRX0111PC | CRX0111PE |
| 100 | 147.0 | CRX0147NC | CRX0147NE | 147 | CRX0147PC | CRX0147PE |
| 125 | 183.0 | CRX0183NC | CRX0183NE | 183 | CRX0183PC | CRX0183PE |
| 150 | 219.0 | CRX0219NC | CRX0219NE | 219 | CRX0219PC | CRX0219PE |
| 200 | 291.0 | CRX0291NC | CRX0291NE | 291 | CRX0291PC | CRX0291PE |

| HP Rating | 525 Volt - 50Hz | | | | | |
|-----------|-----------------|-----------------------|--------------------|---------------|-----------------------|--------------------|
| | 3% Impedance* | | | 5% Impedance* | | |
| | Amps | Core & Coil Part Num. | Enclosed Part Num. | Amps | Core & Coil Part Num. | Enclosed Part Num. |
| 1 | 2.0 | Consult Factory | Consult Factory | 2.0 | Consult Factory | Consult Factory |
| 1.5 | 2.0 | Consult Factory | Consult Factory | 2.0 | Consult Factory | Consult Factory |
| 2 | 4.0 | Consult Factory | Consult Factory | 4.0 | Consult Factory | Consult Factory |
| 3 | 4.0 | Consult Factory | Consult Factory | 4.0 | Consult Factory | Consult Factory |
| 5 | 8.0 | Consult Factory | Consult Factory | 8.0 | Consult Factory | Consult Factory |
| 7.5 | 12.0 | Consult Factory | Consult Factory | 12.0 | Consult Factory | Consult Factory |
| 10 | 12.0 | Consult Factory | Consult Factory | 12.0 | Consult Factory | Consult Factory |
| 15 | 18.0 | Consult Factory | Consult Factory | 18.0 | Consult Factory | Consult Factory |
| 20 | 25.0 | Consult Factory | Consult Factory | 25.0 | Consult Factory | Consult Factory |
| 25 | 35.0 | Consult Factory | Consult Factory | 35.0 | Consult Factory | Consult Factory |
| 30 | 35.0 | Consult Factory | Consult Factory | 35.0 | Consult Factory | Consult Factory |
| 40 | 45.0 | Consult Factory | Consult Factory | 45.0 | Consult Factory | Consult Factory |
| 50 | 55.0 | Consult Factory | Consult Factory | 55.0 | Consult Factory | Consult Factory |
| 60 | 80.0 | Consult Factory | Consult Factory | 80.0 | Consult Factory | Consult Factory |
| 75 | 80.0 | Consult Factory | Consult Factory | 80.0 | Consult Factory | Consult Factory |
| 100 | 110.0 | Consult Factory | Consult Factory | 110.0 | Consult Factory | Consult Factory |
| 125 | 130.0 | Consult Factory | Consult Factory | 130.0 | Consult Factory | Consult Factory |
| 150 | 160.0 | Consult Factory | Consult Factory | 160.0 | Consult Factory | Consult Factory |
| 200 | 200.0 | Consult Factory | Consult Factory | 200.0 | Consult Factory | Consult Factory |

| HP Rating | 690 Volt - 50Hz | | | | | |
|-----------|-----------------|-----------------------|--------------------|---------------|-----------------------|--------------------|
| | 3% Impedance* | | | 5% Impedance* | | |
| | Amps | Core & Coil Part Num. | Enclosed Part Num. | Amps | Core & Coil Part Num. | Enclosed Part Num. |
| 1 | 1.2 | CRX01D2NC | CRX01D2NE | 1.2 | Consult Factory | Consult Factory |
| 1.5 | 1.6 | CRX01D6NC | CRX01D6NE | 1.7 | Consult Factory | Consult Factory |
| 2 | 2.0 | CRX0002NC | CRX0002NE | 2.0 | Consult Factory | Consult Factory |
| 3 | 3.4 | CRX03D4NC | CRX03D4NE | 3.4 | Consult Factory | Consult Factory |
| 5 | 4.5 | Consult Factory | Consult Factory | 4.5 | Consult Factory | Consult Factory |
| 7.5 | 7.5 | CRX07D5NC | CRX07D5NE | 7.5 | Consult Factory | Consult Factory |
| 10 | 11.0 | CRX0011NC | CRX0011NE | 11.0 | Consult Factory | Consult Factory |
| 15 | 14.0 | CRX0014NC | CRX0014NE | 14.0 | Consult Factory | Consult Factory |
| 20 | 18.0 | CRX0018NC | CRX0018NE | 18.0 | Consult Factory | Consult Factory |
| 25 | 21.0 | CRX0021NC | CRX0021NE | 21.0 | Consult Factory | Consult Factory |
| 30 | 25.0 | CRX0025NC | CRX0025NE | 25.0 | Consult Factory | Consult Factory |
| 40 | 33.0 | CRX0033NC | CRX0033NE | 33.0 | Consult Factory | Consult Factory |
| 50 | 45.0 | CRX0045NC | CRX0045NE | 45.0 | Consult Factory | Consult Factory |
| 60 | 55.0 | CRX0055NC | CRX0055NE | 55.0 | Consult Factory | Consult Factory |
| 75 | 65.0 | CRX0065NC | CRX0065NE | 65.0 | Consult Factory | Consult Factory |
| 100 | 80.0 | CRX0080NC | CRX0080NE | 80.0 | Consult Factory | Consult Factory |
| 125 | 96.0 | CRX0096NC | CRX0096NE | 100.0 | Consult Factory | Consult Factory |
| 150 | 130.0 | CRX0130NC | CRX0130NE | 130.0 | Consult Factory | Consult Factory |
| 200 | 160.0 | CRX0160NC | CRX0160NE | 160.0 | Consult Factory | Consult Factory |

All dimensions in inches
Refer to page 18 for drawings

Open Core & Coil Specification Charts

60 Hz

| RMS Amp | Core & Coil | Inductance (mH) | Watts Loss | Width | Depth | Height | Mtg. Width | Mtg. Depth | Mtg. Slot w x d | Diagram Figure | Termination Style Ref. | Frame Size | Enclosure Kit (Optional for Field Install) | Weight (lb) |
|---------|-------------|-----------------|------------|-------|-------|--------|------------|------------|-----------------|----------------|------------------------|------------|--|-------------|
| 1 | CRX0001AC | 27.2 | 21 | 4.13 | 2.29 | 5.13 | 2.81 | 1.79 | 0.28 x 0.38 | 1 | 1 | 1A | CREN1 | 2.5 |
| | CRX0001BC | 47.09 | 12 | 4.13 | 2.29 | 5.13 | 2.81 | 1.79 | 0.28 x 0.38 | 1 | 1 | 1A | CREN1 | 2.5 |
| 1.1 | CRX01D1AC | 20.36 | 12 | 4.13 | 2.29 | 5.13 | 2.81 | 1.79 | 0.28 x 0.38 | 1 | 1 | 1A | CREN1 | 2.5 |
| | CRX01D1BC | 33.94 | 15 | 4.13 | 2.29 | 5.13 | 2.81 | 1.79 | 0.28 x 0.38 | 1 | 1 | 1A | CREN1 | 2.5 |
| 1.4 | CRX01D4AC | 20.36 | 12 | 4.13 | 2.29 | 5.13 | 2.81 | 1.79 | 0.28 x 0.38 | 1 | 1 | 1A | CREN1 | 2.5 |
| | CRX01D4BC | 33.94 | 15 | 4.13 | 2.29 | 5.13 | 2.81 | 1.79 | 0.28 x 0.38 | 1 | 1 | 1A | CREN1 | 2.5 |
| 1.6 | CRX01D6AC | 14.91 | 15 | 4.13 | 2.29 | 5.13 | 2.81 | 1.79 | 0.28 x 0.38 | 1 | 1 | 1A | CREN1 | 2.5 |
| | CRX01D6BC | 23.55 | 12 | 4.13 | 2.29 | 5.13 | 2.81 | 1.79 | 0.28 x 0.38 | 1 | 1 | 1A | CREN1 | 2.5 |
| 1.8 | CRX01D8AC | 14.91 | 15 | 4.13 | 2.29 | 5.13 | 2.81 | 1.79 | 0.28 x 0.38 | 1 | 1 | 1A | CREN1 | 2.5 |
| | CRX01D8BC | 27.2 | 21 | 4.13 | 2.29 | 5.13 | 2.81 | 1.79 | 0.28 x 0.38 | 1 | 1 | 1A | CREN1 | 2.5 |
| 2 | CRX0002CC | 20 | 15 | 4.13 | 2.29 | 5.13 | 2.81 | 1.79 | 0.28 x 0.38 | 1 | 1 | 1A | CREN1 | 3 |
| 2.1 | CRX02D1AC | 10.61 | 19 | 4.13 | 2.29 | 5.13 | 2.81 | 1.79 | 0.28 x 0.38 | 1 | 1 | 1A | CREN1 | 2.5 |
| | CRX02D1BC | 17.83 | 21 | 4.13 | 2.29 | 5.13 | 2.81 | 1.79 | 0.28 x 0.38 | 1 | 1 | 1A | CREN1 | 3 |
| 2.4 | CRX02D4AC | 4.67 | 29 | 4.13 | 2.29 | 5.13 | 2.81 | 1.79 | 0.28 x 0.38 | 1 | 1 | 1A | CREN1 | 3 |
| | CRX02D4BC | 4.08 | 9 | 4.13 | 2.29 | 5.13 | 2.81 | 1.79 | 0.28 x 0.38 | 1 | 1 | 1A | CREN1 | 2.5 |
| | CRX02D4CC | 7.06 | 22 | 4.13 | 2.29 | 5.13 | 2.81 | 1.79 | 0.28 x 0.38 | 1 | 1 | 1A | CREN1 | 3 |
| | CRX02D4DC | 7.06 | 22 | 4.13 | 2.29 | 5.13 | 2.81 | 1.79 | 0.28 x 0.38 | 1 | 1 | 1A | CREN1 | 3 |
| 2.6 | CRX02D6AC | 10.61 | 35 | 4.13 | 2.29 | 5.13 | 2.81 | 1.79 | 0.28 x 0.38 | 1 | 1 | 1A | CREN1 | 3 |
| | CRX02D6BC | 17.83 | 21 | 4.13 | 2.29 | 5.13 | 2.81 | 1.79 | 0.28 x 0.38 | 1 | 1 | 1A | CREN1 | 3 |
| 2.7 | CRX02D7AC | 10.61 | 19 | 4.13 | 2.29 | 5.13 | 2.81 | 1.79 | 0.28 x 0.38 | 1 | 1 | 1A | CREN1 | 2.5 |
| | CRX02D7BC | 17.83 | 21 | 4.13 | 2.29 | 5.13 | 2.81 | 1.79 | 0.28 x 0.38 | 1 | 1 | 1A | CREN1 | 3 |
| 3 | CRX0003AC | 7.06 | 22 | 4.13 | 2.29 | 5.13 | 2.81 | 1.79 | 0.28 x 0.38 | 1 | 1 | 1A | CREN1 | 3 |
| | CRX0003BC | 10.61 | 35 | 4.13 | 2.29 | 5.13 | 2.81 | 1.79 | 0.28 x 0.38 | 1 | 1 | 1A | CREN1 | 3 |
| 3.4 | CRX03D4AC | 7.06 | 22 | 4.13 | 2.29 | 5.13 | 2.81 | 1.79 | 0.28 x 0.38 | 1 | 1 | 1A | CREN1 | 3 |
| | CRX03D4BC | 10.61 | 35 | 4.13 | 2.29 | 5.13 | 2.81 | 1.79 | 0.28 x 0.38 | 1 | 1 | 1A | CREN1 | 3 |
| 3.5 | CRX03D5AC | 2.8 | 15 | 4.13 | 2.29 | 5.13 | 2.81 | 1.79 | 0.28 x 0.38 | 1 | 1 | 1A | CREN1 | 2.5 |
| | CRX03D5BC | 3.55 | 18 | 4.13 | 2.29 | 5.13 | 2.81 | 1.79 | 0.28 x 0.38 | 1 | 1 | 1A | CREN1 | 2.5 |
| | CRX03D5CC | 5.09 | 40 | 6.5 | 5 | 6.13 | 4.38 | 4 | 0.28 x 0.38 | 1 | 2 | 1D | CREN1 | 11 |
| | CRX03D5DC | 4.67 | 29 | 4.13 | 2.29 | 5.13 | 2.81 | 1.79 | 0.28 x 0.38 | 1 | 1 | 1A | CREN1 | 3 |
| 3.9 | CRX03D9AC | 7.06 | 22 | 4.13 | 2.29 | 5.13 | 2.81 | 1.79 | 0.28 x 0.38 | 1 | 1 | 1A | CREN1 | 3 |
| | CRX03D9BC | 10.61 | 35 | 4.13 | 2.29 | 5.13 | 2.81 | 1.79 | 0.28 x 0.38 | 1 | 1 | 1A | CREN1 | 3 |
| 4 | CRX0004CC | 9.1 | 26 | 4.13 | 2.29 | 5.13 | 2.81 | 1.79 | 0.28 x 0.38 | 1 | 1 | 1A | CREN1 | 3 |
| 4.6 | CRX04D6AC | 2.13 | 15 | 4.13 | 2.29 | 5.13 | 2.81 | 1.79 | 0.28 x 0.38 | 1 | 1 | 1A | CREN1 | 2.5 |
| | CRX04D6BC | 2.13 | 15 | 4.13 | 2.29 | 5.13 | 2.81 | 1.79 | 0.28 x 0.38 | 1 | 1 | 1A | CREN1 | 2.5 |
| | CRX04D6CC | 3.55 | 18 | 4.13 | 2.29 | 5.13 | 2.81 | 1.79 | 0.28 x 0.38 | 1 | 1 | 1A | CREN1 | 2.5 |
| | CRX04D6DC | 4.67 | 29 | 4.13 | 2.29 | 5.13 | 2.81 | 1.79 | 0.28 x 0.38 | 1 | 1 | 1A | CREN1 | 3 |
| 4.8 | CRX04D8AC | 4.7 | 22 | 4.13 | 2.29 | 5.13 | 2.81 | 1.79 | 0.28 x 0.38 | 1 | 1 | 1A | CREN1 | 3 |
| | CRX04D8BC | 7.78 | 35 | 4.13 | 3.51 | 5.13 | 2.87 | 2.63 | 0.28 x 0.38 | 1 | 1 | 1B | CREN1 | 4.5 |
| 6.1 | CRX06D1AC | 4.67 | 29 | 4.13 | 2.29 | 5.13 | 2.81 | 1.79 | 0.28 x 0.38 | 1 | 1 | 1A | CREN1 | 3 |
| | CRX06D1BC | 7.78 | 35 | 4.13 | 3.51 | 5.13 | 2.87 | 2.63 | 0.28 x 0.38 | 1 | 1 | 1B | CREN1 | 4.5 |
| 6.6 | CRX06D6AC | 1.48 | 18 | 4.13 | 2.29 | 5.13 | 2.81 | 1.79 | 0.28 x 0.38 | 1 | 1 | 1A | CREN1 | 2.5 |
| | CRX06D6BC | 1.48 | 18 | 4.13 | 2.29 | 5.13 | 2.81 | 1.79 | 0.28 x 0.38 | 1 | 1 | 1A | CREN1 | 2.5 |
| | CRX06D6CC | 2.33 | 24 | 4.13 | 2.29 | 5.13 | 2.81 | 1.79 | 0.28 x 0.38 | 1 | 1 | 1A | CREN1 | 3 |
| | CRX06D6DC | 3.06 | 31 | 4.13 | 3.51 | 5.13 | 2.87 | 2.63 | 0.28 x 0.38 | 1 | 1 | 1B | CREN1 | 4.5 |
| 7.5 | CRX07D5AC | 1.31 | 18 | 4.13 | 2.29 | 5.13 | 2.81 | 1.79 | 0.28 x 0.38 | 1 | 1 | 1A | CREN1 | 2.5 |
| | CRX07D5BC | 1.53 | 25 | 4.13 | 3.51 | 5.38 | 2.87 | 2.63 | 0.28 x 0.38 | 1 | 2 | 1C | CREN1 | 4.5 |
| | CRX07D5CC | 2.33 | 24 | 4.13 | 2.29 | 5.13 | 2.81 | 1.79 | 0.28 x 0.38 | 1 | 1 | 1A | CREN1 | 3 |
| | CRX07D5DC | 2.33 | 24 | 4.13 | 2.29 | 5.13 | 2.81 | 1.79 | 0.28 x 0.38 | 1 | 1 | 1A | CREN1 | 3 |
| 7.6 | CRX07D6AC | 3.06 | 31 | 4.13 | 3.51 | 5.13 | 2.87 | 2.63 | 0.28 x 0.38 | 1 | 1 | 1B | CREN1 | 4.5 |
| | CRX07D6BC | 5.09 | 40 | 6.5 | 5 | 6.13 | 4.38 | 4 | 0.28 x 0.38 | 1 | 2 | 1D | CREN1 | 11 |
| 8 | CRX0008CC | 7.5 | 39 | 6.5 | 5 | 6.13 | 4.38 | 4 | 0.28 x 0.38 | 1 | 2 | 1D | CREN1 | 12 |
| 9 | CRX0009AC | 3.06 | 31 | 4.13 | 3.51 | 5.13 | 2.87 | 2.63 | 0.28 x 0.38 | 1 | 1 | 1B | CREN1 | 4.5 |
| | CRX0009BC | 5.09 | 40 | 6.5 | 5 | 6.13 | 4.38 | 4 | 0.28 x 0.38 | 1 | 2 | 1D | CREN1 | 11 |
| 10.7 | CRX10D7AC | 0.95 | 30 | 4.13 | 3.51 | 5.38 | 2.87 | 2.63 | 0.28 x 0.38 | 1 | 2 | 1C | CREN1 | 4.5 |
| | CRX10D7BC | 0.95 | 30 | 4.13 | 3.51 | 5.38 | 2.87 | 2.63 | 0.28 x 0.38 | 1 | 2 | 1C | CREN1 | 4.5 |
| | CRX10D7CC | 1.64 | 37 | 4.13 | 3.51 | 5.38 | 2.87 | 2.63 | 0.28 x 0.38 | 1 | 2 | 1C | CREN1 | 4.5 |
| | CRX10D7DC | 1.53 | 25 | 4.13 | 3.51 | 5.38 | 2.87 | 2.63 | 0.28 x 0.38 | 1 | 2 | 1C | CREN1 | 4.5 |

All dimensions in inches
Refer to page 18 for drawings

HPS Centurion® R

Line Reactor

Open Core & Coil Specification Charts Continued

60 Hz

| RMS Amp | Core & Coil | Inductance (mH) | Watts Loss | Width | Depth | Height | Mtg. Width | Mtg. Depth | Mtg. Slot w x d | Diagram Figure | Termination Style Ref. | Frame Size | Enclosure Kit (Optional for Field Install) | Weight (lb) |
|---------|-------------|-----------------|------------|-------|-------|--------|------------|------------|-----------------|----------------|------------------------|------------|--|-------------|
| 11 | CRX0011AC | 2.57 | 36 | 4.13 | 3.51 | 5.38 | 2.87 | 2.63 | 0.28 x 0.38 | 1 | 2 | 1C | CREN1 | 5 |
| | CRX0011BC | 2.10 | 31 | 4.13 | 3.51 | 5.38 | 2.87 | 2.63 | 0.28 x 0.38 | 1 | 2 | 1C | CREN1 | 4.5 |
| | CRX0011CC | 3.40 | 39 | 6.50 | 5.00 | 6.13 | 4.38 | 4.00 | 0.28 x 0.38 | 1 | 2 | 1D | CREN1 | 11 |
| | CRX0011DC | 4.28 | 45 | 6.50 | 5.00 | 6.13 | 4.38 | 4.00 | 0.28 x 0.38 | 1 | 2 | 1D | CREN1 | 11 |
| 12 | CRX0012CC | 4.20 | 52 | 6.50 | 5.00 | 6.13 | 4.38 | 4.00 | 0.28 x 0.38 | 1 | 2 | 1D | CREN1 | 12 |
| 14 | CRX0014AC | 1.64 | 37 | 4.13 | 3.51 | 5.38 | 2.87 | 2.63 | 0.28 x 0.38 | 1 | 2 | 1C | CREN1 | 4.5 |
| | CRX0014BC | 2.73 | 57 | 6.50 | 5.00 | 6.13 | 4.38 | 4.00 | 0.28 x 0.38 | 1 | 2 | 1D | CREN1 | 11.5 |
| 16.7 | CRX16D7AC | 0.59 | 30 | 4.13 | 3.51 | 5.38 | 2.87 | 2.63 | 0.28 x 0.38 | 1 | 2 | 1C | CREN1 | 4.5 |
| | CRX16D7BC | 0.59 | 30 | 4.13 | 3.51 | 5.38 | 2.87 | 2.63 | 0.28 x 0.38 | 1 | 2 | 1C | CREN1 | 4.5 |
| | CRX16D7CC | 1.06 | 57 | 6.50 | 5.00 | 6.13 | 4.38 | 4.00 | 0.28 x 0.38 | 1 | 3 | 1D | CREN1 | 11.5 |
| | CRX16D7DC | 0.95 | 30 | 4.13 | 3.51 | 5.38 | 2.87 | 2.63 | 0.28 x 0.38 | 1 | 2 | 1C | CREN1 | 4.5 |
| 17 | CRX0017AC | 1.66 | 51 | 6.50 | 5.00 | 6.13 | 4.38 | 4.00 | 0.28 x 0.38 | 1 | 2 | 1D | CREN1 | 10.5 |
| | CRX0017BC | 2.73 | 57 | 6.50 | 5.00 | 6.13 | 4.38 | 4.00 | 0.28 x 0.38 | 1 | 2 | 1D | CREN1 | 11.5 |
| 21 | CRX0021AC | 1.06 | 57 | 6.50 | 5.00 | 6.13 | 4.38 | 4.00 | 0.28 x 0.38 | 1 | 3 | 1D | CREN1 | 11.5 |
| | CRX0021BC | 1.80 | 57 | 6.50 | 5.00 | 6.13 | 4.38 | 4.00 | 0.28 x 0.38 | 1 | 2 | 1D | CREN1 | 11.5 |
| 22 | CRX0022AC | 1.28 | 51 | 6.50 | 5.00 | 6.13 | 4.38 | 4.00 | 0.28 x 0.38 | 1 | 2 | 1D | CREN1 | 11 |
| | CRX0022BC | 2.14 | 77 | 6.50 | 5.00 | 6.13 | 4.38 | 4.00 | 0.28 x 0.38 | 1 | 2 | 1D | CREN1 | 12 |
| 24 | CRX0024AC | 0.41 | 35 | 4.13 | 3.51 | 5.38 | 2.87 | 2.63 | 0.28 x 0.38 | 1 | 2 | 1C | CREN1 | 4.5 |
| | CRX0024BC | 0.55 | 68 | 6.50 | 5.00 | 6.13 | 4.38 | 4.00 | 0.28 x 0.38 | 1 | 3 | 1D | CREN1 | 12 |
| | CRX0024CC | 0.68 | 47 | 6.50 | 5.00 | 6.13 | 4.38 | 4.00 | 0.28 x 0.38 | 1 | 2 | 1D | CREN1 | 11 |
| | CRX0024DC | 0.86 | 60 | 6.50 | 5.00 | 6.13 | 4.38 | 4.00 | 0.28 x 0.38 | 1 | 3 | 1D | CREN1 | 10.5 |
| 27 | CRX0027AC | 1.06 | 57 | 6.50 | 5.00 | 6.13 | 4.38 | 4.00 | 0.28 x 0.38 | 1 | 3 | 1D | CREN1 | 11.5 |
| | CRX0027BC | 0.86 | 60 | 6.50 | 5.00 | 6.13 | 4.38 | 4.00 | 0.28 x 0.38 | 1 | 3 | 1D | CREN1 | 10.5 |
| | CRX0027CC | 1.40 | 57 | 6.50 | 5.00 | 6.13 | 4.38 | 4.00 | 0.28 x 0.38 | 1 | 3 | 1D | CREN1 | 12.5 |
| | CRX0027DC | 1.77 | 93 | 7.12 | 4.69 | 6.38 | 4.80 | 3.27 | 0.38 x 0.50 | 2 | 3 | 2A | CREN2 | 11.5 |
| 31 | CRX0031AC | 0.32 | 31 | 6.50 | 5.00 | 6.13 | 4.38 | 4.00 | 0.28 x 0.38 | 1 | 3 | 1D | CREN1 | 10.5 |
| | CRX0031BC | 0.32 | 31 | 6.50 | 5.00 | 6.13 | 4.38 | 4.00 | 0.28 x 0.38 | 1 | 3 | 1D | CREN1 | 10.5 |
| | CRX0031CC | 0.55 | 68 | 6.50 | 5.00 | 6.13 | 4.38 | 4.00 | 0.28 x 0.38 | 1 | 3 | 1D | CREN1 | 12 |
| | CRX0031DC | 0.68 | 80 | 6.50 | 5.00 | 6.13 | 4.38 | 4.00 | 0.28 x 0.38 | 1 | 3 | 1D | CREN1 | 12.5 |
| 32 | CRX0032AC | 0.88 | 68 | 6.50 | 5.00 | 6.13 | 4.38 | 4.00 | 0.28 x 0.38 | 1 | 3 | 1D | CREN1 | 12 |
| | CRX0032BC | 1.43 | 80 | 7.12 | 4.69 | 6.38 | 4.80 | 3.27 | 0.38 x 0.50 | 2 | 3 | 2A | CREN2 | 12.5 |
| 34 | CRX0034AC | 0.68 | 80 | 6.50 | 5.00 | 6.13 | 4.38 | 4.00 | 0.28 x 0.38 | 1 | 3 | 1D | CREN1 | 12.5 |
| | CRX0034BC | 1.13 | 115 | 7.12 | 5.19 | 6.38 | 4.80 | 3.77 | 0.38 x 0.50 | 2 | 3 | 2B | CREN2 | 12 |
| 35 | CRX0035CC | 1.70 | 93 | 7.12 | 5.19 | 6.38 | 4.80 | 3.77 | 0.38 x 0.50 | 2 | 3 | 2B | CREN2 | 24 |
| 40 | CRX0040AC | 0.55 | 68 | 6.50 | 5.00 | 6.13 | 4.38 | 4.00 | 0.28 x 0.38 | 1 | 3 | 1D | CREN1 | 12 |
| | CRX0040BC | 0.94 | 105 | 7.12 | 4.69 | 6.38 | 4.80 | 3.27 | 0.38 x 0.50 | 2 | 3 | 2A | CREN2 | 12.5 |
| 41 | CRX0041AC | 0.68 | 80 | 6.50 | 5.00 | 6.13 | 4.38 | 4.00 | 0.28 x 0.38 | 1 | 3 | 1D | CREN1 | 12.5 |
| | CRX0041BC | 1.13 | 115 | 7.12 | 5.19 | 6.38 | 4.80 | 3.77 | 0.38 x 0.50 | 2 | 3 | 2B | CREN2 | 12 |
| 45 | CRX0045CC | 1.20 | 140 | 7.12 | 5.19 | 6.38 | 4.80 | 3.77 | 0.38 x 0.50 | 2 | 3 | 2B | CREN2 | 24 |
| 46 | CRX0046AC | 0.21 | 40 | 6.50 | 5.00 | 6.13 | 4.38 | 4.00 | 0.28 x 0.38 | 1 | 3 | 1D | CREN1 | 11 |
| | CRX0046BC | 0.21 | 40 | 6.50 | 5.00 | 6.13 | 4.38 | 4.00 | 0.28 x 0.38 | 1 | 3 | 1D | CREN1 | 11 |
| | CRX0046CC | 0.36 | 60 | 6.50 | 5.00 | 6.13 | 4.38 | 4.00 | 0.28 x 0.38 | 1 | 3 | 1D | CREN1 | 11.5 |
| | CRX0046DC | 0.45 | 130 | 7.12 | 4.69 | 6.38 | 4.80 | 3.27 | 0.38 x 0.50 | 2 | 3 | 2A | CREN2 | 19 |
| 52 | CRX0052AC | 0.50 | 70 | 7.12 | 4.69 | 6.38 | 4.80 | 3.27 | 0.38 x 0.50 | 2 | 3 | 2A | CREN2 | 15 |
| | CRX0052BC | 0.43 | 85 | 7.12 | 4.69 | 6.38 | 4.80 | 3.27 | 0.38 x 0.50 | 2 | 3 | 2A | CREN2 | 17 |
| | CRX0052CC | 0.91 | 130 | 7.12 | 5.19 | 6.38 | 4.8 | 3.77 | 0.38 x 0.50 | 2 | 3 | 2B | CREN2 | 25 |
| | CRX0052DC | 0.74 | 170 | 7.12 | 5.19 | 6.38 | 4.8 | 3.77 | 0.38 x 0.50 | 2 | 3 | 2B | CREN2 | 25 |
| 59 | CRX0059AC | 0.17 | 55 | 6.5 | 5 | 6.13 | 4.38 | 4 | 0.28 x 0.38 | 1 | 3 | 1D | CREN1 | 11.5 |
| | CRX0059BC | 0.22 | 85 | 7.25 | 5.88 | 5.63 | 4.8 | 3.27 | 0.38 x 0.50 | 3 | 4 | 3A | CREN2 | 18 |
| | CRX0059CC | 0.3 | 75 | 7.12 | 4.69 | 6.38 | 4.8 | 3.27 | 0.38 x 0.50 | 2 | 3 | 2A | CREN2 | 16 |
| | CRX0059DC | 0.36 | 110 | 7.25 | 6 | 5.63 | 4.8 | 3.77 | 0.38 x 0.50 | 3 | 4 | 3C | CREN2 | 25 |
| 62 | CRX0062AC | 0.45 | 130 | 7.12 | 4.69 | 6.38 | 4.8 | 3.27 | 0.38 x 0.50 | 2 | 3 | 2A | CREN2 | 19 |
| | CRX0062BC | 0.74 | 170 | 7.12 | 5.19 | 6.38 | 4.8 | 3.77 | 0.38 x 0.50 | 2 | 3 | 2B | CREN2 | 25 |
| 65 | CRX0065AC | 0.34 | 110 | 7.25 | 6 | 5.63 | 4.8 | 3.77 | 0.38 x 0.50 | 3 | 4 | 3C | CREN2 | 25 |
| | CRX0065BC | 0.57 | 120 | 7.25 | 6 | 5.63 | 4.8 | 3.77 | 0.38 x 0.50 | 3 | 4 | 3C | CREN2 | 25 |

60 Hz

| RMS Amp | Core & Coil | Inductance (mH) | Watts Loss | Width | Depth | Height | Mtg. Width | Mtg. Depth | Mtg. Slot w x d | Diagram Figure | Termination Style Ref. | Frame Size | Enclosure Kit (Optional for Field Install) | Weight (lb) |
|---------|-------------|-----------------|------------|-------|-------|--------|------------|------------|-----------------|----------------|------------------------|------------|--|-------------|
| 75 | CRX0075AC | 0.12 | 70 | 7.25 | 5.88 | 5.63 | 4.8 | 3.27 | 0.38 x 0.50 | 3 | 4 | 3A | CREN2 | 17 |
| | CRX0075BC | 0.19 | 95 | 7.25 | 5.88 | 5.63 | 4.8 | 3.27 | 0.38 x 0.50 | 3 | 4 | 3A | CREN2 | 18 |
| | CRX0075CC | 0.22 | 85 | 7.25 | 5.88 | 5.63 | 4.8 | 3.27 | 0.38 x 0.50 | 3 | 4 | 3A | CREN2 | 18 |
| | CRX0075DC | 0.29 | 105 | 7.25 | 6 | 5.63 | 4.8 | 3.77 | 0.38 x 0.50 | 3 | 4 | 3C | CREN2 | 21 |
| 77 | CRX0077AC | 0.29 | 105 | 7.25 | 6 | 5.63 | 4.8 | 3.77 | 0.38 x 0.50 | 3 | 4 | 3C | CREN2 | 21 |
| | CRX0077BC | 0.36 | 110 | 7.25 | 6 | 5.63 | 4.8 | 3.77 | 0.38 x 0.50 | 3 | 4 | 3C | CREN2 | 25 |
| | CRX0077CC | 0.6 | 216 | 9.25 | 6.25 | 7 | 6 | 3.7 | 0.44 x 1.0 | 3 | 4 | 3E | CREN2 | 30 |
| | CRX0077DC | 0.49 | 160 | 7.25 | 6 | 5.63 | 4.8 | 3.77 | 0.38 x 0.50 | 3 | 4 | 3C | CREN2 | 24 |
| 88 | CRX0088AC | 0.12 | 70 | 7.25 | 5.88 | 5.63 | 4.8 | 3.27 | 0.38 x 0.50 | 3 | 4 | 3A | CREN2 | 17 |
| | CRX0088BC | 0.12 | 70 | 7.25 | 5.88 | 5.63 | 4.8 | 3.27 | 0.38 x 0.50 | 3 | 4 | 3A | CREN2 | 17 |
| | CRX0088CC | 0.19 | 95 | 7.25 | 5.88 | 5.63 | 4.8 | 3.27 | 0.38 x 0.50 | 3 | 4 | 3A | CREN2 | 18 |
| | CRX0088DC | 0.24 | 120 | 7.25 | 6 | 5.63 | 4.8 | 3.77 | 0.38 x 0.50 | 3 | 4 | 3C | CREN2 | 24 |
| 96 | CRX0096AC | 0.24 | 120 | 7.25 | 6 | 5.63 | 4.8 | 3.77 | 0.38 x 0.50 | 3 | 4 | 3C | CREN2 | 24 |
| | CRX0096BC | 0.39 | 170 | 9.25 | 8.25 | 7 | 6 | 5.7 | 0.44 x 1.0 | 3 | 4 | 3N | CREN2 | 49 |
| 99 | CRX0099AC | 0.28 | 125 | 7.25 | 6 | 5.63 | 4.8 | 3.77 | 0.38 x 0.50 | 3 | 4 | 3C | CREN2 | 26 |
| | CRX0099BC | 0.48 | 210 | 9.25 | 8 | 7 | 6 | 5.45 | 0.44 x 1.0 | 3 | 4 | 3L | CREN2 | 48 |
| 114 | CRX0114AC | 0.09 | 70 | 7.25 | 6 | 5.63 | 4.8 | 3.27 | 0.38 x 0.50 | 3 | 5 | 3B | CREN2 | 18 |
| | CRX0114BC | 0.11 | 140 | 9.25 | 6.75 | 7 | 6 | 3.83 | 0.44 x 1.0 | 3 | 5 | 3F | CREN2 | 28 |
| | CRX0114CC | 0.14 | 110 | 9.25 | 7.25 | 7 | 6 | 4.33 | 0.44 x 1.0 | 3 | 5 | 3J | CREN2 | 33 |
| | CRX0114DC | 0.19 | 190 | 10.8 | 8.25 | 10 | 7.2 | 5.21 | 0.44 x 1.0 | 4 | 5 | 4A | CRECH2 | 52 |
| 124 | CRX0124AC | 0.19 | 190 | 10.8 | 8.25 | 10 | 7.2 | 5.21 | 0.44 x 1.0 | 4 | 5 | 4A | CRECH2 | 52 |
| | CRX0124BC | 0.3 | 185 | 9.25 | 8.63 | 7 | 6 | 5.2 | 0.44 x 1.0 | 3 | 5 | 3Q | CREN2 | 48 |
| 125 | CRX0125AC | 0.23 | 160 | 9.25 | 7.63 | 7 | 6 | 4.7 | 0.44 x 1.0 | 3 | 5 | 3K | CREN2 | 41 |
| | CRX0125BC | 0.38 | 250 | 10.8 | 9.13 | 10 | 7.2 | 6.08 | 0.44 x 1.0 | 4 | 5 | 4C | CRECH2 | 67 |
| 143 | CRX0143AC | 0.07 | 88 | 7.25 | 6 | 5.63 | 4.8 | 3.27 | 0.38 x 0.50 | 3 | 5 | 3B | CREN2 | 20 |
| | CRX0143BC | 0.1 | 130 | 9.25 | 7 | 7 | 6 | 3.95 | 0.44 x 1.0 | 3 | 5 | 3H | CREN2 | 34 |
| | CRX0143CC | 0.11 | 140 | 9.25 | 6.75 | 7 | 6 | 3.83 | 0.44 x 1.0 | 3 | 5 | 3F | CREN2 | 28 |
| | CRX0143DC | 0.11 | 140 | 9.25 | 6.75 | 7 | 6 | 3.83 | 0.44 x 1.0 | 3 | 5 | 3F | CREN2 | 28 |
| 144 | CRX0144AC | 0.19 | 190 | 10.8 | 8.25 | 10 | 7.2 | 5.21 | 0.44 x 1.0 | 4 | 5 | 4A | CRECH2 | 52 |
| | CRX0144BC | 0.35 | 240 | 10.8 | 9.5 | 10 | 7.2 | 6.33 | 0.44 x 1.0 | 4 | 5 | 4D | CRECH4 | 74 |
| 156 | CRX0156AC | 0.15 | 210 | 9.25 | 7 | 7 | 6 | 4.08 | 0.44 x 1.0 | 3 | 5 | 3G | CREN2 | 32 |
| | CRX0156BC | 0.24 | 260 | 9.25 | 8.63 | 7 | 6 | 5.7 | 0.44 x 1.0 | 3 | 5 | 3R | CRECH2 | 52 |
| 170 | CRX0170AC | 0.06 | 100 | 7.25 | 6.25 | 5.63 | 4.8 | 3.77 | 0.38 x 0.50 | 3 | 5 | 3D | CREN2 | 23 |
| | CRX0170BC | 0.06 | 100 | 7.25 | 6.25 | 5.63 | 4.8 | 3.77 | 0.38 x 0.50 | 3 | 5 | 3D | CREN2 | 23 |
| | CRX0170CC | 0.1 | 130 | 9.25 | 7 | 7 | 6 | 3.95 | 0.44 x 1.0 | 3 | 5 | 3H | CREN2 | 34 |
| | CRX0170DC | 0.1 | 130 | 9.25 | 7 | 7 | 6 | 3.95 | 0.44 x 1.0 | 3 | 5 | 3H | CREN2 | 34 |
| 180 | CRX0180AC | 0.13 | 180 | 9.25 | 8.88 | 7 | 6 | 5.95 | 0.44 x 1.0 | 3 | 5 | 3S | CRECH2 | 54 |
| | CRX0180BC | 0.21 | 250 | 10.8 | 8.38 | 10 | 7.2 | 5.33 | 0.44 x 1.0 | 4 | 5 | 4B | CRECH2 | 63 |
| 192 | CRX0192AC | 0.15 | 200 | 9.25 | 8.25 | 7 | 6 | 5.45 | 0.44 x 1.0 | 3 | 5 | 3P | CRECH2 | 53 |
| | CRX0192BC | 0.25 | 325 | 10.8 | 10.5 | 10 | 7.2 | 7.33 | 0.44 x 1.0 | 4 | 5 | 4E | CRECH2 | 90 |
| 200 | CRX0200CC | 0.11 | 195 | 9.25 | 7.63 | 7 | 6 | 4.7 | 0.44 x 1.0 | 3 | 5 | 3K | CRECH2 | 44 |
| 211 | CRX0211AC | 0.05 | 125 | 7.25 | 6.25 | 5.63 | 4.80 | 3.77 | 0.38 x 0.50 | 3 | 5 | 3D | CREN2 | 24 |
| | CRX0211BC | 0.05 | 125 | 7.25 | 6.25 | 5.63 | 4.80 | 3.77 | 0.38 x 0.50 | 3 | 5 | 3D | CREN2 | 24 |
| | CRX0211CC | 0.08 | 180 | 9.25 | 7.63 | 7.00 | 6.00 | 4.70 | 0.44 x 1.0 | 3 | 5 | 3K | CRECH2 | 39 |
| | CRX0211DC | 0.10 | 225 | 11.05 | 8.25 | 10.00 | 7.20 | 5.21 | 0.44 x 1.0 | 4 | 5 | 4G | CRECH2 | 58 |
| 240 | CRX0240AC | 0.10 | 225 | 11.05 | 8.25 | 10.00 | 7.20 | 5.21 | 0.44 x 1.0 | 4 | 5 | 4G | CRECH2 | 58 |
| | CRX0240BC | 0.16 | 435 | 13.75 | 11.63 | 12.50 | 9.00 | 8.70 | 0.44 x 1.0 | 4 | 5 | 4V | CRECH4 | 155 |
| 242 | CRX0242AC | 0.12 | 275 | 11.05 | 8.25 | 10.00 | 7.20 | 5.08 | 0.44 x 1.0 | 4 | 5 | 4F | CRECH2 | 59 |
| | CRX0242BC | 0.20 | 360 | 11.05 | 9.50 | 10.00 | 7.20 | 6.46 | 0.44 x 1.0 | 4 | 5 | 4M | CRECH4 | 87 |
| 273 | CRX0273AC | 0.04 | 130 | 9.25 | 8.13 | 7.00 | 6.00 | 5.20 | 0.44 x 1.0 | 3 | 5 | 3M | CRECH2 | 43 |
| | CRX0273BC | 0.04 | 130 | 9.25 | 8.13 | 7.00 | 6.00 | 5.20 | 0.44 x 1.0 | 3 | 5 | 3M | CRECH2 | 43 |
| | CRX0273CC | 0.06 | 200 | 11.05 | 9.13 | 10.00 | 7.20 | 6.08 | 0.44 x 1.0 | 4 | 5 | 4L | CRECH4 | 67 |
| | CRX0273DC | 0.08 | 310 | 13.75 | 9.00 | 12.50 | 9.00 | 6.05 | 0.44 x 1.0 | 4 | 5 | 4M | CRECH4 | 84 |

HPS Centurion® R

Line Reactor

Open Core & Coil Specification Charts Continued

60 Hz

| RMS Amp | Core & Coil | Inductance (mH) | Watts Loss | Width | Depth | Height | Mtg. Width | Mtg. Depth | Mtg. Slot w x d | Diagram Figure | Termination Style Ref. | Frame Size | Enclosure Kit (Optional for Field Install) | Weight (lb) |
|---------|-------------|-----------------|------------|-------|-------|--------|------------|------------|-----------------|----------------|------------------------|------------|--|-------------|
| 289 | CRX0289AC | 0.10 | 290 | 11.05 | 9.00 | 10.00 | 7.20 | 5.96 | 0.44 x 1.0 | 4 | 5 | 4K | CRECH4 | 75 |
| | CRX0289BC | 0.16 | 435 | 13.75 | 11.63 | 12.50 | 9.00 | 8.70 | 0.44 x 1.0 | 4 | 5 | 4V | CRECH4 | 155 |
| 302 | CRX0302AC | 0.08 | 310 | 13.75 | 9.00 | 12.50 | 9.00 | 6.05 | 0.44 x 1.0 | 4 | 5 | 4M | CRECH4 | 84 |
| | CRX0302BC | 0.13 | 475 | 13.75 | 11.38 | 14.50 | 9.00 | 8.42 | 0.44 x 1.0 | 4 | 5 | 4AA | CRECH4 | 171 |
| 336 | CRX0336AC | 0.08 | 360 | 13.75 | 9.38 | 14.50 | 9.00 | 6.42 | 0.44 x 1.0 | 4 | 5 | 4W | CRECH4 | 110 |
| | CRX0336BC | 0.13 | 475 | 13.75 | 11.38 | 14.50 | 9.00 | 8.42 | 0.44 x 1.0 | 4 | 5 | 4AA | CRECH4 | 171 |
| 343 | CRX0343AC | 0.03 | 200 | 11.05 | 8.63 | 10.00 | 7.20 | 5.58 | 0.44 x 1.0 | 4 | 5 | 4H | CRECH4 | 57 |
| | CRX0343BC | 0.03 | 200 | 11.05 | 8.63 | 10.00 | 7.20 | 5.58 | 0.44 x 1.0 | 4 | 5 | 4H | CRECH4 | 57 |
| | CRX0343CC | 0.05 | 230 | 11.05 | 8.88 | 10.00 | 7.20 | 5.83 | 0.44 x 1.0 | 4 | 5 | 4J | CRECH4 | 66 |
| | CRX0343DC | 0.06 | 325 | 13.75 | 9.38 | 12.50 | 9.00 | 6.42 | 0.44 x 1.0 | 4 | 5 | 4Q | CRECH4 | 95 |
| 361 | CRX0361AC | 0.06 | 325 | 13.75 | 9.38 | 12.50 | 9.00 | 6.42 | 0.44 x 1.0 | 4 | 5 | 4Q | CRECH4 | 95 |
| | CRX0361BC | 0.10 | 445 | 13.75 | 11.38 | 12.50 | 9.00 | 8.42 | 0.44 x 1.0 | 4 | 5 | 4U | CRECH5 | 147 |
| 382 | CRX0382AC | 0.07 | 435 | 13.75 | 10.38 | 12.50 | 9.00 | 7.30 | 0.44 x 1.0 | 4 | 5 | 4S | CRECH5 | 116 |
| | CRX0382BC | 0.12 | 580 | 13.75 | 11.50 | 14.50 | 9.00 | 8.67 | 0.44 x 1.0 | 4 | 5 | 4AB | CRECH5 | 180 |
| 396 | CRX0396AC | 0.03 | 200 | 11.05 | 8.63 | 10.00 | 7.20 | 5.58 | 0.44 x 1.0 | 4 | 5 | 4H | CRECH4 | 57 |
| | CRX0396BC | 0.03 | 200 | 11.05 | 8.63 | 10.00 | 7.20 | 5.58 | 0.44 x 1.0 | 4 | 5 | 4H | CRECH4 | 57 |
| | CRX0396CC | 0.04 | 300 | 13.75 | 9.38 | 12.50 | 9.00 | 6.42 | 0.44 x 1.0 | 4 | 5 | 4Q | CRECH4 | 92 |
| | CRX0396DC | 0.04 | 300 | 13.75 | 9.38 | 12.50 | 9.00 | 6.42 | 0.44 x 1.0 | 4 | 5 | 4Q | CRECH4 | 92 |
| 412 | CRX0412AC | 0.07 | 435 | 13.75 | 10.38 | 12.50 | 9.00 | 7.30 | 0.44 x 1.0 | 4 | 5 | 4S | CRECH5 | 116 |
| | CRX0412BC | 0.11 | 550 | 13.75 | 10.88 | 12.50 | 9.00 | 7.92 | 0.44 x 1.0 | 4 | 5 | 4T | CRECH5 | 146 |
| 414 | CRX0414AC | 0.06 | 400 | 13.75 | 10.13 | 12.50 | 9.00 | 7.17 | 0.44 x 1.0 | 4 | 5 | 4R | CRECH5 | 125 |
| | CRX0414BC | 0.08 | 505 | 13.75 | 11.38 | 12.50 | 9.00 | 8.42 | 0.44 x 1.0 | 4 | 5 | 4U | CRECH5 | 143 |
| 472 | CRX0472AC | 0.06 | 400 | 13.75 | 10.13 | 12.50 | 9.00 | 7.17 | 0.44 x 1.0 | 4 | 5 | 4R | CRECH5 | 125 |
| | CRX0472BC | 0.10 | 560 | 13.75 | 11.63 | 12.50 | 9.00 | 8.70 | 0.44 x 1.0 | 4 | 5 | 4V | CRECH5 | 171 |
| 477 | CRX0477AC | 0.05 | 420 | 13.75 | 10.88 | 14.50 | 9.00 | 7.42 | 0.44 x 1.0 | 4 | 6 | 4Z | CRECH6 | 145 |
| | CRX0477BC | 0.08 | 600 | 13.75 | 13.38 | 14.50 | 9.00 | 9.92 | 0.44 x 1.0 | 4 | 6 | 4AC | CRECH6 | 220 |
| 515 | CRX0515AC | 0.05 | 420 | 13.75 | 10.88 | 14.50 | 9.00 | 7.42 | 0.44 x 1.0 | 4 | 6 | 4Z | CRECH6 | 145 |
| | CRX0515BC | 0.08 | 600 | 13.75 | 13.38 | 14.50 | 9.00 | 9.92 | 0.44 x 1.0 | 4 | 6 | 4AC | CRECH6 | 220 |
| 528 | CRX0528AC | 0.02 | 220 | 13.75 | 9.38 | 12.50 | 9.00 | 5.70 | 0.44 x 1.0 | 4 | 6 | 4P | CRECH5 | 74 |
| | CRX0528BC | 0.02 | 220 | 13.75 | 9.38 | 12.50 | 9.00 | 5.70 | 0.44 x 1.0 | 4 | 6 | 4P | CRECH5 | 74 |
| | CRX0528CC | 0.03 | 355 | 13.75 | 9.63 | 14.50 | 9.00 | 6.17 | 0.44 x 1.0 | 4 | 6 | 4X | CRECH5 | 102 |
| | CRX0528DC | 0.04 | 495 | 13.75 | 10.63 | 14.50 | 9.00 | 7.17 | 0.44 x 1.0 | 4 | 6 | 4Y | CRECH5 | 133 |
| 590 | CRX0590AC | 0.04 | 495 | 13.75 | 10.63 | 14.50 | 9.00 | 7.17 | 0.44 x 1.0 | 4 | 6 | 4Y | CRECH5 | 133 |
| | CRX0590BC | 0.06 | 680 | 13.75 | 13.38 | 14.50 | 9.00 | 9.92 | 0.44 x 1.0 | 4 | 6 | 4AC | CRECH6 | 220 |
| 600 | CRX0600CC | 0.046 | 525 | 13.75 | 12.13 | 14.5 | 9 | 8.67 | 0.44 x 1.0 | 4 | 6 | 4AD | CRECH6 | 210 |
| | CRX0600EC | 0.077 | 675 | 13.75 | 13.13 | 14.5 | 9 | 9.67 | 0.44 x 1.0 | 4 | 6 | 4AE | CRECH6 | 230 |
| 700 | CRX0700CC | 0.039 | 615 | 14.25 | 12.38 | 14.5 | 9.5 | 7.92 | 0.44 x 1.0 | 4 | 6 | 4AF | CRECH6 | 171 |
| | CRX0700EC | 0.066 | 860 | 14.25 | 14.38 | 14.5 | 9.5 | 9.92 | 0.44 x 1.0 | 4 | 6 | 4AG | CRECH6 | 246 |
| 720 | CRX0720AC | 0.031 | 480 | 13.75 | 11.63 | 14.5 | 9 | 7.17 | 0.44 x 1.0 | 5 | 6 | 5A | CRECH6 | 145 |
| 750 | CRX0750CC | 0.037 | 600 | 14.25 | 12.63 | 14.5 | 9.5 | 8.17 | 0.44 x 1.0 | 4 | 6 | 4AH | CRECH6 | 143 |
| | CRX0750DC | 0.049 | 770 | 16.75 | 14.00 | 14.50 | 11.50 | 8.42 | 0.44 x 1.0 | 4 | 6 | 4AJ | CRECH6 | 217 |
| | CRX0750EC | 0.061 | 940 | 16.75 | 14.25 | 14.50 | 11.50 | 8.67 | 0.44 x 1.0 | 4 | 6 | 4AK | CRECH6 | 255 |
| 840 | CRX0840AC | 0.027 | 570 | 13.75 | 11.88 | 14.5 | 9 | 7.17 | 0.44 x 1.0 | 5 | 6 | 5B | CRECH6 | 270 |
| 900 | CRX0900CC | 0.031 | 750 | 14.25 | 14.63 | 14.5 | 9.5 | 8.17 | 0.44 x 1.0 | 5 | 7 | 5E | CRECH6 | 200 |
| | CRX0900DC | 0.041 | 950 | 17 | 14.88 | 14.5 | 11.5 | 8.42 | 0.44 x 1.0 | 5 | 7 | 5F | CRECH6 | 245 |
| | CRX0900EC | 0.051 | 1075 | 17 | 16.38 | 14.5 | 11.5 | 9.92 | 0.44 x 1.0 | 5 | 7 | 5G | CRECH6 | 290 |
| 960 | CRX0960AC | 0.022 | 675 | 17.75 | 13.75 | 18.5 | 12 | 7.42 | 0.44 x 1.0 | 5 | 7 | 5D | CRECH6 | 270 |
| 1000 | CRX1000CC | 0.028 | 785 | 18.75 | 13.5 | 18.5 | 12 | 7.17 | 0.44 x 1.0 | 5 | 7 | 5H | CRECH6 | 300 |
| | CRX1000DC | 0.037 | 820 | 18.75 | 14 | 18.5 | 13 | 8.17 | 0.44 x 1.0 | 5 | 7 | 5J | CRECH6 | 364 |
| | CRX1000EC | 0.046 | 970 | 21.75 | 16 | 18.5 | 15 | 8.17 | 0.44 x 1.0 | 5 | 7 | 5K | CRECH6 | 405 |
| 1080 | CRX1080AC | 0.022 | 675 | 17.75 | 13.75 | 18.5 | 12 | 7.42 | 0.44 x 1.0 | 5 | 7 | 5D | CRECH6 | 270 |
| 1200 | CRX1200AC | 0.018 | 710 | 17.75 | 13.25 | 18.5 | 12 | 6.92 | 0.44 x 1.0 | 5 | 7 | 5C | CRECH6 | 250 |
| | CRX1200CC | 0.023 | 880 | 18.75 | 13.25 | 18.5 | 13 | 6.67 | 0.44 x 1.0 | 5 | 7 | 5L | CRECH6 | 264 |
| | CRX1200DC | 0.031 | 1100 | 21.75 | 15 | 18.5 | 15 | 7.17 | 0.44 x 1.0 | 5 | 7 | 5M | CRECH6 | 337 |
| | CRX1200EC | 0.038 | 1100 | 21.75 | 16 | 18.5 | 15 | 8.17 | 0.44 x 1.0 | 5 | 7 | 5N | CRECH6 | 422 |

All dimensions in inches
Refer to page 18 for drawings

50 Hz

| RMS Amp | Core & Coil | Inductance (mH) | Watts Loss | Width | Depth | Height | Mtg. Width | Mtg. Depth | Mtg. Slot w x d | Diagram Figure | Termination Style Ref. | Frame Size | Enclosure Kit (Optional for Field Install) | Weight (lb) |
|---------|-----------------|-----------------|------------|-------|-------|--------|------------|------------|-----------------|----------------|------------------------|------------|--|-------------|
| 1.2 | CRX01D2NC | 33.94 | 15 | 4.13 | 2.29 | 5.13 | 2.81 | 1.79 | 0.28 x 0.38 | 1 | 1 | 1A | CREN1 | 2.5 |
| 1.6 | CRX01D6NC | 23.55 | 12 | 4.13 | 2.29 | 5.13 | 2.81 | 1.79 | 0.28 x 0.38 | 1 | 1 | 1A | CREN1 | 2.5 |
| 2 | CRX0002NC | 17.83 | 21 | 4.13 | 2.29 | 5.13 | 2.81 | 1.79 | 0.28 x 0.38 | 1 | 1 | 1A | CREN1 | 3 |
| 2.1 | CRX02D1NC | 10.61 | 19 | 4.13 | 2.29 | 5.13 | 2.81 | 1.79 | 0.28 x 0.38 | 1 | 1 | 1A | CREN1 | 2.5 |
| | CRX02D1PC | 17.83 | 21 | 4.13 | 2.29 | 5.13 | 2.81 | 1.79 | 0.28 x 0.38 | 1 | 1 | 1A | CREN1 | 3 |
| 3 | CRX0003NC | 7.058 | 22 | 4.13 | 2.29 | 5.13 | 2.81 | 1.79 | 0.28 x 0.38 | 1 | 1 | 1A | CREN1 | 3 |
| | CRX0003PC | 10.61 | 35 | 4.13 | 2.29 | 5.13 | 2.81 | 1.79 | 0.28 x 0.38 | 1 | 1 | 1A | CREN1 | 3 |
| 3.4 | CRX03D4NC | 10.61 | 35 | 4.13 | 2.29 | 5.13 | 2.81 | 1.79 | 0.28 x 0.38 | 1 | 1 | 1A | CREN1 | 3 |
| 3.7 | Consult Factory | | | | | | | | | | | | | |
| 4.5 | Consult Factory | | | | | | | | | | | | | |
| 4.8 | CRX04D8NC | 4.7 | 22 | 4.13 | 2.29 | 5.13 | 2.81 | 1.79 | 0.28 x 0.38 | 1 | 1 | 1A | CREN1 | 3 |
| | CRX04D8PC | 7.784 | 35 | 4.13 | 3.51 | 5.13 | 2.87 | 2.63 | 0.28 x 0.38 | 1 | 1 | 1B | CREN1 | 4.5 |
| 7.5 | CRX07D5NC | 5.09 | 40 | 6.5 | 5 | 6.13 | 4.38 | 4 | 0.28 x 0.38 | 1 | 2 | 1D | CREN1 | 11 |
| 8 | CRX0008NC | 2.569 | 36 | 4.13 | 3.51 | 5.38 | 2.87 | 2.63 | 0.28 x 0.38 | 1 | 2 | 1C | CREN1 | 5 |
| | CRX0008PC | 4.67 | 29 | 4.13 | 2.29 | 5.13 | 2.81 | 1.79 | 0.28 x 0.38 | 1 | 1 | 1A | CREN1 | 3 |
| 11 | CRX0011NC | 3.4 | 39 | 6.5 | 5 | 6.13 | 4.38 | 4 | 0.28 x 0.38 | 1 | 2 | 1D | CREN1 | 11 |
| 11.8 | CRX11D8NC | 1.66 | 51 | 6.5 | 5 | 6.13 | 4.38 | 4 | 0.28 x 0.38 | 1 | 2 | 1D | CREN1 | 10.5 |
| | CRX11D8PC | 2.73 | 57 | 6.5 | 5 | 6.13 | 4.38 | 4 | 0.28 x 0.38 | 1 | 2 | 1D | CREN1 | 11.5 |
| 14 | CRX0014NC | 2.73 | 57 | 6.5 | 5 | 6.13 | 4.38 | 4 | 0.28 x 0.38 | 1 | 2 | 1D | CREN1 | 11.5 |
| 15.6 | CRX15D6NC | 1.284 | 51 | 6.5 | 5 | 6.13 | 4.38 | 4 | 0.28 x 0.38 | 1 | 2 | 1D | CREN1 | 11 |
| | CRX15D6PC | 2.14 | 77 | 6.5 | 5 | 6.13 | 4.38 | 4 | 0.28 x 0.38 | 1 | 2 | 1D | CREN1 | 12 |
| 18 | CRX0018NC | 2.14 | 77 | 6.5 | 5 | 6.13 | 4.38 | 4 | 0.28 x 0.38 | 1 | 2 | 1D | CREN1 | 12 |
| 21 | CRX0021NC | 2.14 | 77 | 6.5 | 5 | 6.13 | 4.38 | 4 | 0.28 x 0.38 | 1 | 2 | 1D | CREN1 | 12 |
| 23 | CRX0023NC | 1.061 | 57 | 6.5 | 5 | 6.13 | 4.38 | 4 | 0.28 x 0.38 | 1 | 3 | 1D | CREN1 | 11.5 |
| | CRX0023PC | 1.433 | 80 | 7.12 | 4.69 | 6.38 | 4.8 | 3.27 | 0.38 x 0.50 | 2 | 3 | 2A | CREN2 | 12.5 |
| 25 | CRX0025NC | 1.769 | 93 | 7.12 | 4.69 | 6.38 | 4.8 | 3.27 | 0.38 x 0.50 | 2 | 3 | 2A | CREN2 | 11.5 |
| 30.5 | CRX30D5NC | 0.677 | 80 | 6.5 | 5 | 6.13 | 4.38 | 4 | 0.28 x 0.38 | 1 | 3 | 1D | CREN1 | 12.5 |
| | CRX30D5PC | 1.128 | 115 | 7.12 | 5.19 | 6.38 | 4.8 | 3.77 | 0.38 x 0.50 | 2 | 3 | 2B | CREN2 | 12 |
| 33 | CRX0033NC | 1.128 | 115 | 7.12 | 5.19 | 6.38 | 4.8 | 3.77 | 0.38 x 0.50 | 2 | 3 | 2B | CREN2 | 12 |
| 37.8 | CRX37D8NC | 0.546 | 68 | 6.5 | 5 | 6.13 | 4.38 | 4 | 0.28 x 0.38 | 1 | 3 | 1D | CREN1 | 12 |
| | CRX37D8PC | 0.942 | 105 | 7.12 | 4.69 | 6.38 | 4.8 | 3.27 | 0.38 x 0.50 | 2 | 3 | 2A | CREN2 | 12.5 |
| 45.2 | CRX45D2NC | 0.445 | 130 | 7.12 | 4.69 | 6.38 | 4.8 | 3.27 | 0.38 x 0.50 | 2 | 3 | 2A | CREN2 | 19 |
| | CRX45D2PC | 0.742 | 170 | 7.12 | 5.19 | 6.38 | 4.8 | 3.77 | 0.38 x 0.50 | 2 | 3 | 2B | CREN2 | 25 |
| 45 | CRX0045NC | 0.905 | 130 | 7.12 | 5.19 | 6.38 | 4.8 | 3.77 | 0.38 x 0.50 | 2 | 3 | 2B | CREN2 | 25 |
| 55 | CRX0055NC | 0.742 | 170 | 7.12 | 5.19 | 6.38 | 4.8 | 3.77 | 0.38 x 0.50 | 2 | 3 | 2B | CREN2 | 25 |
| 59.8 | CRX59D8NC | 0.357 | 110 | 7.25 | 6 | 5.63 | 4.8 | 3.77 | 0.38 x 0.50 | 3 | 4 | 3C | CREN2 | 25 |
| | CRX59D8PC | 0.595 | 216 | 9.25 | 6.25 | 7 | 6 | 3.7 | 0.44 x 1.0 | 3 | 4 | 3E | CREN2 | 30 |
| 65 | CRX0065NC | 0.595 | 216 | 9.25 | 6.25 | 7 | 6 | 3.7 | 0.44 x 1.0 | 3 | 4 | 3E | CREN2 | 30 |
| 74.4 | CRX74D4NC | 0.285 | 105 | 7.25 | 6 | 5.63 | 4.8 | 3.77 | 0.38 x 0.50 | 3 | 4 | 3C | CREN2 | 21 |
| | CRX74D4PC | 0.49 | 160 | 7.25 | 6 | 5.63 | 4.8 | 3.77 | 0.38 x 0.50 | 3 | 4 | 3C | CREN2 | 24 |
| 80 | CRX0080NC | 0.475 | 210 | 9.25 | 8 | 7 | 6 | 5.45 | 0.44 x 1.0 | 3 | 4 | 3L | CREN2 | 48 |
| 89 | CRX0089NC | 0.235 | 120 | 7.25 | 6 | 5.63 | 4.8 | 3.77 | 0.38 x 0.50 | 3 | 4 | 3C | CREN2 | 24 |
| | CRX0089PC | 0.392 | 170 | 9.25 | 8.25 | 7 | 6 | 5.7 | 0.44 x 1.0 | 3 | 4 | 3N | CREN2 | 49 |
| 96 | CRX0096NC | 0.392 | 170 | 9.25 | 8.25 | 7 | 6 | 5.7 | 0.44 x 1.0 | 3 | 4 | 3N | CREN2 | 49 |
| 111 | Consult Factory | | | | | | | | | | | | | |
| | CRX0111PC | 0.295 | 185 | 9.25 | 8.63 | 7 | 6 | 5.2 | 0.44 x 1.0 | 3 | 5 | 3Q | CREN2 | 48 |
| 130 | CRX0130NC | 0.3475 | 240 | 10.8 | 9.5 | 10 | 7.2 | 6.33 | 0.44 x 1.0 | 4 | 5 | 4D | CRECH4 | 74 |
| 147 | CRX0147NC | 0.145 | 210 | 9.25 | 7 | 7 | 6 | 4.08 | 0.44 x 1.0 | 3 | 5 | 3G | CREN2 | 32 |
| | CRX0147PC | 0.242 | 260 | 9.25 | 8.63 | 7 | 6 | 5.7 | 0.44 x 1.0 | 3 | 5 | 3R | CRECH2 | 32 |
| 160 | CRX0160NC | 0.242 | 260 | 9.25 | 8.63 | 7 | 6 | 5.7 | 0.44 x 1.0 | 3 | 5 | 3R | CRECH2 | 32 |

HPS Centurion® R

Line Reactor

Open Core & Coil Specification Charts Continued

50 Hz

| RMS Amp | Core & Coil | Inductance (mH) | Watts Loss | Width | Depth | Height | Mtg. Width | Mtg. Depth | Mtg. Slot w x d | Diagram Figure | Termination Style Ref. | Frame Size | Enclosure Kit (Optional for Field Install) | Weight (lb) |
|---------|-------------|-----------------|------------|-------|-------|--------|------------|------------|-----------------|----------------|------------------------|------------|--|-------------|
| 183 | CRX0183NC | 0.1255 | 180 | 9.25 | 8.88 | 7 | 6 | 5.95 | 0.44 x 1.0 | 3 | 5 | 3S | CRECH2 | 54 |
| | CRX0183PC | 0.195 | 360 | 11.05 | 9.5 | 10 | 7.2 | 6.46 | 0.44 x 1.0 | 4 | 5 | 4M | CRECH4 | 87 |
| 219 | CRX0219NC | 0.096 | 225 | 11.05 | 8.25 | 10 | 7.2 | 5.21 | 0.44 x 1.0 | 4 | 5 | 4G | CRECH2 | 58 |
| | CRX0219PC | 0.16 | 435 | 13.75 | 11.63 | 12.5 | 9 | 8.7 | 0.44 x 1.0 | 4 | 5 | 4V | CRECH4 | 155 |
| 291 | CRX0291NC | 0.0795 | 310 | 13.75 | 9 | 12.5 | 9 | 6.05 | 0.44 x 1.0 | 4 | 5 | 4M | CRECH4 | 84 |
| | CRX0291PC | 0.123 | 580 | 13.75 | 11.5 | 14.5 | 9 | 8.67 | 0.44 x 1.0 | 4 | 5 | 4AB | CRECH5 | 180 |

Enclosed Specification Charts

60 Hz

| RMS Amp | Enclosed | Inductance (mH) | Watts Loss | Width | Depth | Height | Mtg. Width | Mtg. Depth | Mtg. Slot w x d | Enclosure Style | Termination Style Ref. | Weight (lb) |
|---------|-----------|-----------------|------------|-------|-------|--------|------------|------------|-----------------|-----------------|------------------------|-------------|
| 1 | CRX0001AE | 27.20 | 21 | 10.00 | 8.00 | 8.13 | 7.00 | 6.50 | 0.188 | N1 | 1 | 7.50 |
| | CRX0001BE | 47.09 | 12 | 10.00 | 8.00 | 8.13 | 7.00 | 6.50 | 0.188 | N1 | 1 | 7.50 |
| 1.1 | CRX01D1AE | 20.36 | 12 | 10.00 | 8.00 | 8.13 | 7.00 | 6.50 | 0.188 | N1 | 1 | 7.50 |
| | CRX01D1BE | 33.94 | 15 | 10.00 | 8.00 | 8.13 | 7.00 | 6.50 | 0.188 | N1 | 1 | 7.50 |
| 1.4 | CRX01D4AE | 20.36 | 12 | 10.00 | 8.00 | 8.13 | 7.00 | 6.50 | 0.188 | N1 | 1 | 7.50 |
| | CRX01D4BE | 33.94 | 15 | 10.00 | 8.00 | 8.13 | 7.00 | 6.50 | 0.188 | N1 | 1 | 7.50 |
| 1.6 | CRX01D6AE | 14.91 | 15 | 10.00 | 8.00 | 8.13 | 7.00 | 6.50 | 0.188 | N1 | 1 | 7.50 |
| | CRX01D6BE | 23.55 | 12 | 10.00 | 8.00 | 8.13 | 7.00 | 6.50 | 0.188 | N1 | 1 | 7.50 |
| 1.8 | CRX01D8AE | 14.91 | 15 | 10.00 | 8.00 | 8.13 | 7.00 | 6.50 | 0.188 | N1 | 1 | 7.50 |
| | CRX01D8BE | 27.20 | 21 | 10.00 | 8.00 | 8.13 | 7.00 | 6.50 | 0.188 | N1 | 1 | 7.50 |
| 2 | CRX0002CE | 20.00 | 15 | 10.00 | 8.00 | 8.13 | 7.00 | 6.50 | 0.188 | N1 | 1 | 8.00 |
| 2.1 | CRX02D1AE | 10.61 | 19 | 10.00 | 8.00 | 8.13 | 7.00 | 6.50 | 0.188 | N1 | 1 | 7.50 |
| | CRX02D1BE | 17.83 | 21 | 10.00 | 8.00 | 8.13 | 7.00 | 6.50 | 0.188 | N1 | 1 | 8.00 |
| 2.4 | CRX02D4AE | 4.67 | 29 | 10.00 | 8.00 | 8.13 | 7.00 | 6.50 | 0.188 | N1 | 1 | 8.00 |
| | CRX02D4BE | 4.08 | 9 | 10.00 | 8.00 | 8.13 | 7.00 | 6.50 | 0.188 | N1 | 1 | 7.50 |
| | CRX02D4CE | 7.06 | 22 | 10.00 | 8.00 | 8.13 | 7.00 | 6.50 | 0.188 | N1 | 1 | 8.00 |
| | CRX02D4DE | 7.06 | 22 | 10.00 | 8.00 | 8.13 | 7.00 | 6.50 | 0.188 | N1 | 1 | 8.00 |
| 2.6 | CRX02D6AE | 10.61 | 35 | 10.00 | 8.00 | 8.13 | 7.00 | 6.50 | 0.188 | N1 | 1 | 8.00 |
| | CRX02D6BE | 17.83 | 21 | 10.00 | 8.00 | 8.13 | 7.00 | 6.50 | 0.188 | N1 | 1 | 8.00 |
| 2.7 | CRX02D7AE | 10.61 | 19 | 10.00 | 8.00 | 8.13 | 7.00 | 6.50 | 0.188 | N1 | 1 | 7.50 |
| | CRX02D7BE | 17.83 | 21 | 10.00 | 8.00 | 8.13 | 7.00 | 6.50 | 0.188 | N1 | 1 | 8.00 |
| 3 | CRX0003AE | 7.06 | 22 | 10.00 | 8.00 | 8.13 | 7.00 | 6.50 | 0.188 | N1 | 1 | 8.00 |
| | CRX0003BE | 10.61 | 35 | 10.00 | 8.00 | 8.13 | 7.00 | 6.50 | 0.188 | N1 | 1 | 8.00 |
| 3.4 | CRX03D4AE | 7.06 | 22 | 10.00 | 8.00 | 8.13 | 7.00 | 6.50 | 0.188 | N1 | 1 | 8.00 |
| | CRX03D4BE | 10.61 | 35 | 10.00 | 8.00 | 8.13 | 7.00 | 6.50 | 0.188 | N1 | 1 | 8.00 |
| 3.5 | CRX03D5AE | 2.80 | 15 | 10.00 | 8.00 | 8.13 | 7.00 | 6.50 | 0.188 | N1 | 1 | 7.50 |
| | CRX03D5BE | 3.55 | 18 | 10.00 | 8.00 | 8.13 | 7.00 | 6.50 | 0.188 | N1 | 1 | 7.50 |
| | CRX03D5CE | 5.09 | 40 | 10.00 | 8.00 | 8.13 | 7.00 | 6.50 | 0.188 | N1 | 2 | 16.00 |
| | CRX03D5DE | 4.67 | 29 | 10.00 | 8.00 | 8.13 | 7.00 | 6.50 | 0.188 | N1 | 1 | 8.00 |
| 3.9 | CRX03D9AE | 7.06 | 22 | 10.00 | 8.00 | 8.13 | 7.00 | 6.50 | 0.188 | N1 | 1 | 8.00 |
| | CRX03D9BE | 10.61 | 35 | 10.00 | 8.00 | 8.13 | 7.00 | 6.50 | 0.188 | N1 | 1 | 8.00 |
| 4 | CRX0004CE | 9.10 | 26 | 10.00 | 8.00 | 8.13 | 7.00 | 6.50 | 0.188 | N1 | 1 | 8.00 |
| 4.6 | CRX04D6AE | 2.13 | 15 | 10.00 | 8.00 | 8.13 | 7.00 | 6.50 | 0.188 | N1 | 1 | 7.50 |
| | CRX04D6BE | 2.13 | 15 | 10.00 | 8.00 | 8.13 | 7.00 | 6.50 | 0.188 | N1 | 1 | 7.50 |
| | CRX04D6CE | 3.55 | 18 | 10.00 | 8.00 | 8.13 | 7.00 | 6.50 | 0.188 | N1 | 1 | 7.50 |
| | CRX04D6DE | 4.67 | 29 | 10.00 | 8.00 | 8.13 | 7.00 | 6.50 | 0.188 | N1 | 1 | 8.00 |
| 4.8 | CRX04D8AE | 4.70 | 22 | 10.00 | 8.00 | 8.13 | 7.00 | 6.50 | 0.188 | N1 | 1 | 8.00 |
| | CRX04D8BE | 7.78 | 35 | 10.00 | 8.00 | 8.13 | 7.00 | 6.50 | 0.188 | N1 | 1 | 9.50 |
| 6.1 | CRX06D1AE | 4.67 | 29 | 10.00 | 8.00 | 8.13 | 7.00 | 6.50 | 0.188 | N1 | 1 | 8.00 |
| | CRX06D1BE | 7.78 | 35 | 10.00 | 8.00 | 8.13 | 7.00 | 6.50 | 0.188 | N1 | 1 | 9.50 |
| 6.6 | CRX06D6AE | 1.48 | 18 | 10.00 | 8.00 | 8.13 | 7.00 | 6.50 | 0.188 | N1 | 1 | 7.50 |
| | CRX06D6BE | 1.48 | 18 | 10.00 | 8.00 | 8.13 | 7.00 | 6.50 | 0.188 | N1 | 1 | 7.50 |
| | CRX06D6CE | 2.33 | 24 | 10.00 | 8.00 | 8.13 | 7.00 | 6.50 | 0.188 | N1 | 1 | 8.00 |
| | CRX06D6DE | 3.06 | 31 | 10.00 | 8.00 | 8.13 | 7.00 | 6.50 | 0.188 | N1 | 1 | 9.50 |
| 7.5 | CRX07D5AE | 1.31 | 18 | 10.00 | 8.00 | 8.13 | 7.00 | 6.50 | 0.188 | N1 | 1 | 7.50 |
| | CRX07D5BE | 1.53 | 25 | 10.00 | 8.00 | 8.13 | 7.00 | 6.50 | 0.188 | N1 | 2 | 9.50 |
| | CRX07D5CE | 2.33 | 24 | 10.00 | 8.00 | 8.13 | 7.00 | 6.50 | 0.188 | N1 | 1 | 8.00 |
| | CRX07D5DE | 2.33 | 24 | 10.00 | 8.00 | 8.13 | 7.00 | 6.50 | 0.188 | N1 | 1 | 8.00 |
| 7.6 | CRX07D6AE | 3.06 | 31 | 10.00 | 8.00 | 8.13 | 7.00 | 6.50 | 0.188 | N1 | 1 | 9.50 |
| | CRX07D6BE | 5.09 | 40 | 10.00 | 8.00 | 8.13 | 7.00 | 6.50 | 0.188 | N1 | 2 | 16.00 |
| 8 | CRX0008CE | 7.50 | 39 | 10.00 | 8.00 | 8.13 | 7.00 | 6.50 | 0.188 | N1 | 2 | 17.00 |
| 9 | CRX0009AE | 3.06 | 31 | 10.00 | 8.00 | 8.13 | 7.00 | 6.50 | 0.188 | N1 | 1 | 9.50 |
| | CRX0009BE | 5.09 | 40 | 10.00 | 8.00 | 8.13 | 7.00 | 6.50 | 0.188 | N1 | 2 | 16.00 |
| 10.7 | CRX10D7AE | 0.95 | 30 | 10.00 | 8.00 | 8.13 | 7.00 | 6.50 | 0.188 | N1 | 2 | 9.50 |
| | CRX10D7BE | 0.95 | 30 | 10.00 | 8.00 | 8.13 | 7.00 | 6.50 | 0.188 | N1 | 2 | 9.50 |
| | CRX10D7CE | 1.64 | 37 | 10.00 | 8.00 | 8.13 | 7.00 | 6.50 | 0.188 | N1 | 2 | 9.50 |
| | CRX10D7DE | 1.53 | 25 | 10.00 | 8.00 | 8.13 | 7.00 | 6.50 | 0.188 | N1 | 2 | 9.50 |

HPS Centurion® R

Line Reactor

Enclosed Specification Charts Continued

60 Hz

| RMS Amp | Enclosed | Inductance (mH) | Watts Loss | Width | Depth | Height | Mtg. Width | Mtg. Depth | Mtg. Slot w x d | Enclosure Style | Termination Style Ref. | Weight (lb) |
|---------|-----------|-----------------|------------|-------|-------|--------|------------|------------|-----------------|-----------------|------------------------|-------------|
| 11 | CRX0011AE | 2.57 | 36 | 10.00 | 8.00 | 8.13 | 7.00 | 6.50 | 0.188 | N1 | 2 | 10.00 |
| | CRX0011BE | 2.10 | 31 | 10.00 | 8.00 | 8.13 | 7.00 | 6.50 | 0.188 | N1 | 2 | 9.50 |
| | CRX0011CE | 3.40 | 39 | 10.00 | 8.00 | 8.13 | 7.00 | 6.50 | 0.188 | N1 | 2 | 16.00 |
| | CRX0011DE | 4.28 | 45 | 10.00 | 8.00 | 8.13 | 7.00 | 6.50 | 0.188 | N1 | 2 | 16.00 |
| 12 | CRX0012CE | 4.20 | 52 | 10.00 | 8.00 | 8.13 | 7.00 | 6.50 | 0.188 | N1 | 2 | 17.00 |
| 14 | CRX0014AE | 1.64 | 37 | 10.00 | 8.00 | 8.13 | 7.00 | 6.50 | 0.188 | N1 | 2 | 9.50 |
| | CRX0014BE | 2.73 | 57 | 10.00 | 8.00 | 8.13 | 7.00 | 6.50 | 0.188 | N1 | 2 | 16.50 |
| 16.7 | CRX16D7AE | 0.59 | 30 | 10.00 | 8.00 | 8.13 | 7.00 | 6.50 | 0.188 | N1 | 2 | 9.50 |
| | CRX16D7BE | 0.59 | 30 | 10.00 | 8.00 | 8.13 | 7.00 | 6.50 | 0.188 | N1 | 2 | 9.50 |
| | CRX16D7CE | 1.06 | 57 | 10.00 | 8.00 | 8.13 | 7.00 | 6.50 | 0.188 | N1 | 3 | 16.50 |
| | CRX16D7DE | 0.95 | 30 | 10.00 | 8.00 | 8.13 | 7.00 | 6.50 | 0.188 | N1 | 2 | 9.50 |
| 17 | CRX0017AE | 1.66 | 51 | 10.00 | 8.00 | 8.13 | 7.00 | 6.50 | 0.188 | N1 | 2 | 15.50 |
| | CRX0017BE | 2.73 | 57 | 10.00 | 8.00 | 8.13 | 7.00 | 6.50 | 0.188 | N1 | 2 | 16.50 |
| 21 | CRX0021AE | 1.06 | 57 | 10.00 | 8.00 | 8.13 | 7.00 | 6.50 | 0.188 | N1 | 3 | 16.50 |
| | CRX0021BE | 1.80 | 57 | 10.00 | 8.00 | 8.13 | 7.00 | 6.50 | 0.188 | N1 | 2 | 16.50 |
| 22 | CRX0022AE | 1.28 | 51 | 10.00 | 8.00 | 8.13 | 7.00 | 6.50 | 0.188 | N1 | 2 | 16.00 |
| | CRX0022BE | 2.14 | 77 | 10.00 | 8.00 | 8.13 | 7.00 | 6.50 | 0.188 | N1 | 2 | 17.00 |
| 24 | CRX0024AE | 0.41 | 35 | 10.00 | 8.00 | 8.13 | 7.00 | 6.50 | 0.188 | N1 | 2 | 9.50 |
| | CRX0024BE | 0.55 | 68 | 10.00 | 8.00 | 8.13 | 7.00 | 6.50 | 0.188 | N1 | 3 | 17.00 |
| | CRX0024CE | 0.68 | 47 | 10.00 | 8.00 | 8.13 | 7.00 | 6.50 | 0.188 | N1 | 2 | 16.00 |
| | CRX0024DE | 0.86 | 60 | 10.00 | 8.00 | 8.13 | 7.00 | 6.50 | 0.188 | N1 | 3 | 15.50 |
| 27 | CRX0027AE | 1.06 | 57 | 10.00 | 8.00 | 8.13 | 7.00 | 6.50 | 0.188 | N1 | 3 | 16.50 |
| | CRX0027BE | 0.86 | 60 | 10.00 | 8.00 | 8.13 | 7.00 | 6.50 | 0.188 | N1 | 3 | 15.50 |
| | CRX0027CE | 1.40 | 57 | 10.00 | 8.00 | 8.13 | 7.00 | 6.50 | 0.188 | N1 | 3 | 17.50 |
| | CRX0027DE | 1.77 | 93 | 14.00 | 14.00 | 12.13 | 10.00 | 10.50 | 0.188 | N2 | 3 | 21.50 |
| 31 | CRX0031AE | 0.32 | 31 | 10.00 | 8.00 | 8.13 | 7.00 | 6.50 | 0.188 | N1 | 3 | 15.50 |
| | CRX0031BE | 0.32 | 31 | 10.00 | 8.00 | 8.13 | 7.00 | 6.50 | 0.188 | N1 | 3 | 15.50 |
| | CRX0031CE | 0.55 | 68 | 10.00 | 8.00 | 8.13 | 7.00 | 6.50 | 0.188 | N1 | 3 | 17.00 |
| | CRX0031DE | 0.68 | 80 | 10.00 | 8.00 | 8.13 | 7.00 | 6.50 | 0.188 | N1 | 3 | 17.50 |
| 32 | CRX0032AE | 0.88 | 68 | 10.00 | 8.00 | 8.13 | 7.00 | 6.50 | 0.188 | N1 | 3 | 17.00 |
| | CRX0032BE | 1.43 | 80 | 14.00 | 14.00 | 12.13 | 10.00 | 10.50 | 0.188 | N2 | 3 | 22.50 |
| 34 | CRX0034AE | 0.68 | 80 | 10.00 | 8.00 | 8.13 | 7.00 | 6.50 | 0.188 | N1 | 3 | 17.50 |
| | CRX0034BE | 1.13 | 115 | 14.00 | 14.00 | 12.13 | 10.00 | 10.50 | 0.188 | N2 | 3 | 22.00 |
| 35 | CRX0035CE | 1.70 | 93 | 14.00 | 14.00 | 12.13 | 10.00 | 10.50 | 0.188 | N2 | 3 | 34.00 |
| 40 | CRX0040AE | 0.55 | 68 | 10.00 | 8.00 | 8.13 | 7.00 | 6.50 | 0.188 | N1 | 3 | 17.00 |
| | CRX0040BE | 0.94 | 105 | 14.00 | 14.00 | 12.13 | 10.00 | 10.50 | 0.188 | N2 | 3 | 22.50 |
| 41 | CRX0041AE | 0.68 | 80 | 10.00 | 8.00 | 8.13 | 7.00 | 6.50 | 0.188 | N1 | 3 | 17.50 |
| | CRX0041BE | 1.13 | 115 | 14.00 | 14.00 | 12.13 | 10.00 | 10.50 | 0.188 | N2 | 3 | 22.00 |
| 45 | CRX0045CE | 1.20 | 140 | 14.00 | 14.00 | 12.13 | 10.00 | 10.50 | 0.188 | N2 | 3 | 34.00 |
| 46 | CRX0046AE | 0.21 | 40 | 10.00 | 8.00 | 8.13 | 7.00 | 6.50 | 0.188 | N1 | 3 | 16.00 |
| | CRX0046BE | 0.21 | 40 | 10.00 | 8.00 | 8.13 | 7.00 | 6.50 | 0.188 | N1 | 3 | 16.00 |
| | CRX0046CE | 0.36 | 60 | 10.00 | 8.00 | 8.13 | 7.00 | 6.50 | 0.188 | N1 | 3 | 16.50 |
| | CRX0046DE | 0.45 | 130 | 14.00 | 14.00 | 12.13 | 10.00 | 10.50 | 0.188 | N2 | 3 | 29.00 |
| 52 | CRX0052AE | 0.50 | 70 | 14.00 | 14.00 | 12.13 | 10.00 | 10.50 | 0.188 | N2 | 3 | 25.00 |
| | CRX0052BE | 0.43 | 85 | 14.00 | 14.00 | 12.13 | 10.00 | 10.50 | 0.188 | N2 | 3 | 27.00 |
| | CRX0052CE | 0.91 | 130 | 14.00 | 14.00 | 12.13 | 10.00 | 10.50 | 0.188 | N2 | 3 | 35.00 |
| | CRX0052DE | 0.74 | 170 | 14.00 | 14.00 | 12.13 | 10.00 | 10.50 | 0.188 | N2 | 3 | 35.00 |
| 59 | CRX0059AE | 0.17 | 55 | 10.00 | 8.00 | 8.13 | 7.00 | 6.50 | 0.188 | N1 | 3 | 16.50 |
| | CRX0059BE | 0.22 | 85 | 14.00 | 14.00 | 12.13 | 10.00 | 10.50 | 0.188 | N2 | 4 | 28.00 |
| | CRX0059CE | 0.30 | 75 | 14.00 | 14.00 | 12.13 | 10.00 | 10.50 | 0.188 | N2 | 3 | 26.00 |
| | CRX0059DE | 0.36 | 110 | 14.00 | 14.00 | 12.13 | 10.00 | 10.50 | 0.188 | N2 | 4 | 35.00 |
| 62 | CRX0062AE | 0.45 | 130 | 14.00 | 14.00 | 12.13 | 10.00 | 10.50 | 0.188 | N2 | 3 | 29.00 |
| | CRX0062BE | 0.74 | 170 | 14.00 | 14.00 | 12.13 | 10.00 | 10.50 | 0.188 | N2 | 3 | 35.00 |
| 65 | CRX0065AE | 0.34 | 110 | 14.00 | 14.00 | 12.13 | 10.00 | 10.50 | 0.188 | N2 | 4 | 35.00 |
| | CRX0065BE | 0.57 | 120 | 14.00 | 14.00 | 12.13 | 10.00 | 10.50 | 0.188 | N2 | 4 | 35.00 |

60 Hz

| RMS Amp | Enclosed | Inductance (mH) | Watts Loss | Width | Depth | Height | Mtg. Width | Mtg. Depth | Mtg. Slot w x d | Enclosure Style | Termination Style Ref. | Weight (lb) |
|---------|-----------|-----------------|------------|-------|-------|--------|------------|------------|-----------------|-----------------|------------------------|-------------|
| 75 | CRX0075AE | 0.12 | 70 | 14.00 | 14.00 | 12.13 | 10.00 | 10.50 | 0.188 | N2 | 4 | 27.00 |
| | CRX0075BE | 0.19 | 95 | 14.00 | 14.00 | 12.13 | 10.00 | 10.50 | 0.188 | N2 | 4 | 28.00 |
| | CRX0075CE | 0.22 | 85 | 14.00 | 14.00 | 12.13 | 10.00 | 10.50 | 0.188 | N2 | 4 | 28.00 |
| | CRX0075DE | 0.29 | 105 | 14.00 | 14.00 | 12.13 | 10.00 | 10.50 | 0.188 | N2 | 4 | 31.00 |
| 77 | CRX0077AE | 0.29 | 105 | 14.00 | 14.00 | 12.13 | 10.00 | 10.50 | 0.188 | N2 | 4 | 31.00 |
| | CRX0077BE | 0.36 | 110 | 14.00 | 14.00 | 12.13 | 10.00 | 10.50 | 0.188 | N2 | 4 | 35.00 |
| | CRX0077CE | 0.60 | 216 | 14.00 | 14.00 | 12.13 | 10.00 | 10.50 | 0.188 | N2 | 4 | 40.00 |
| | CRX0077DE | 0.49 | 160 | 14.00 | 14.00 | 12.13 | 10.00 | 10.50 | 0.188 | N2 | 4 | 34.00 |
| 88 | CRX0088AE | 0.12 | 70 | 14.00 | 14.00 | 12.13 | 10.00 | 10.50 | 0.188 | N2 | 4 | 27.00 |
| | CRX0088BE | 0.12 | 70 | 14.00 | 14.00 | 12.13 | 10.00 | 10.50 | 0.188 | N2 | 4 | 27.00 |
| | CRX0088CE | 0.19 | 95 | 14.00 | 14.00 | 12.13 | 10.00 | 10.50 | 0.188 | N2 | 4 | 28.00 |
| | CRX0088DE | 0.24 | 120 | 14.00 | 14.00 | 12.13 | 10.00 | 10.50 | 0.188 | N2 | 4 | 34.00 |
| 96 | CRX0096AE | 0.24 | 120 | 14.00 | 14.00 | 12.13 | 10.00 | 10.50 | 0.188 | N2 | 4 | 34.00 |
| | CRX0096BE | 0.39 | 170 | 14.00 | 14.00 | 12.13 | 10.00 | 10.50 | 0.188 | N2 | 4 | 59.00 |
| 99 | CRX0099AE | 0.28 | 125 | 14.00 | 14.00 | 12.13 | 10.00 | 10.50 | 0.188 | N2 | 4 | 36.00 |
| | CRX0099BE | 0.48 | 210 | 14.00 | 14.00 | 12.13 | 10.00 | 10.50 | 0.188 | N2 | 4 | 58.00 |
| 114 | CRX0114AE | 0.09 | 70 | 14.00 | 14.00 | 12.13 | 10.00 | 10.50 | 0.188 | N2 | 5 | 28.00 |
| | CRX0114BE | 0.11 | 140 | 14.00 | 14.00 | 12.13 | 10.00 | 10.50 | 0.188 | N2 | 5 | 38.00 |
| | CRX0114CE | 0.14 | 110 | 14.00 | 14.00 | 12.13 | 10.00 | 10.50 | 0.188 | N2 | 5 | 43.00 |
| | CRX0114DE | 0.19 | 190 | 23.50 | 16.50 | 17.90 | 22.40 | 6.50 | 0.56 | CH2 | 5 | 83.00 |
| 124 | CRX0124AE | 0.19 | 190 | 23.50 | 16.50 | 17.90 | 22.40 | 6.50 | 0.56 | CH2 | 5 | 83.00 |
| | CRX0124BE | 0.30 | 185 | 14.00 | 14.00 | 12.13 | 10.00 | 10.50 | 0.188 | N2 | 5 | 58.00 |
| 125 | CRX0125AE | 0.23 | 160 | 14.00 | 14.00 | 12.13 | 10.00 | 10.50 | 0.188 | N2 | 5 | 51.00 |
| | CRX0125BE | 0.38 | 250 | 23.50 | 16.50 | 17.90 | 22.40 | 6.50 | 0.56 | CH2 | 5 | 98.00 |
| 143 | CRX0143AE | 0.07 | 88 | 14.00 | 14.00 | 12.13 | 10.00 | 10.50 | 0.188 | N2 | 5 | 30.00 |
| | CRX0143BE | 0.10 | 130 | 14.00 | 14.00 | 12.13 | 10.00 | 10.50 | 0.188 | N2 | 5 | 44.00 |
| | CRX0143CE | 0.11 | 140 | 14.00 | 14.00 | 12.13 | 10.00 | 10.50 | 0.188 | N2 | 5 | 38.00 |
| | CRX0143DE | 0.11 | 140 | 14.00 | 14.00 | 12.13 | 10.00 | 10.50 | 0.188 | N2 | 5 | 38.00 |
| 144 | CRX0144AE | 0.19 | 190 | 23.50 | 16.50 | 17.90 | 22.40 | 6.50 | 0.56 | CH2 | 5 | 83.00 |
| | CRX0144BE | 0.35 | 240 | 26.10 | 20.50 | 25.90 | 25.00 | 6.50 | 0.56 | CH4 | 5 | 114.00 |
| 156 | CRX0156AE | 0.15 | 210 | 14.00 | 14.00 | 12.13 | 10.00 | 10.50 | 0.188 | N2 | 5 | 42.00 |
| | CRX0156BE | 0.24 | 260 | 23.50 | 16.50 | 17.90 | 22.40 | 6.50 | 0.56 | CH2 | 5 | 63.00 |
| 170 | CRX0170AE | 0.06 | 100 | 14.00 | 14.00 | 12.13 | 10.00 | 10.50 | 0.188 | N2 | 5 | 33.00 |
| | CRX0170BE | 0.06 | 100 | 14.00 | 14.00 | 12.13 | 10.00 | 10.50 | 0.188 | N2 | 5 | 33.00 |
| | CRX0170CE | 0.10 | 130 | 14.00 | 14.00 | 12.13 | 10.00 | 10.50 | 0.188 | N2 | 5 | 44.00 |
| | CRX0170DE | 0.10 | 130 | 14.00 | 14.00 | 12.13 | 10.00 | 10.50 | 0.188 | N2 | 5 | 44.00 |
| 180 | CRX0180AE | 0.13 | 180 | 23.50 | 16.50 | 17.90 | 22.40 | 6.50 | 0.56 | CH2 | 5 | 85.00 |
| | CRX0180BE | 0.21 | 250 | 23.50 | 16.50 | 17.90 | 22.40 | 6.50 | 0.56 | CH2 | 5 | 94.00 |
| 192 | CRX0192AE | 0.15 | 200 | 23.50 | 16.50 | 17.90 | 22.40 | 6.50 | 0.56 | CH2 | 5 | 84.00 |
| | CRX0192BE | 0.25 | 325 | 23.50 | 16.50 | 17.90 | 22.40 | 6.50 | 0.56 | CH2 | 5 | 121.00 |
| 200 | CRX0200CE | 0.11 | 195 | 23.50 | 16.50 | 17.90 | 22.40 | 6.50 | 0.56 | CH2 | 5 | 75.00 |
| 211 | CRX0211AE | 0.05 | 125 | 14.00 | 14.00 | 12.13 | 10.00 | 10.50 | 0.188 | N2 | 5 | 34.00 |
| | CRX0211BE | 0.05 | 125 | 14.00 | 14.00 | 12.13 | 10.00 | 10.50 | 0.188 | N2 | 5 | 34.00 |
| | CRX0211CE | 0.08 | 180 | 23.50 | 16.50 | 17.90 | 22.40 | 6.50 | 0.56 | CH2 | 5 | 70.00 |
| | CRX0211DE | 0.10 | 225 | 23.50 | 16.50 | 17.90 | 22.40 | 6.50 | 0.56 | CH2 | 5 | 89.00 |
| 240 | CRX0240AE | 0.10 | 225 | 23.50 | 16.50 | 17.90 | 22.40 | 6.50 | 0.56 | CH2 | 5 | 89.00 |
| | CRX0240BE | 0.16 | 435 | 26.10 | 20.50 | 25.90 | 25.00 | 6.50 | 0.56 | CH4 | 5 | 195.00 |
| 242 | CRX0242AE | 0.12 | 275 | 23.50 | 16.50 | 17.90 | 22.40 | 6.50 | 0.56 | CH2 | 5 | 90.00 |
| | CRX0242BE | 0.20 | 360 | 26.10 | 20.50 | 25.90 | 25.00 | 6.50 | 0.56 | CH4 | 5 | 127.00 |
| 273 | CRX0273AE | 0.04 | 130 | 23.50 | 16.50 | 17.90 | 22.40 | 6.50 | 0.56 | CH2 | 5 | 74.00 |
| | CRX0273BE | 0.04 | 130 | 23.50 | 16.50 | 17.90 | 22.40 | 6.50 | 0.56 | CH2 | 5 | 74.00 |
| | CRX0273CE | 0.06 | 200 | 26.10 | 20.50 | 25.90 | 25.00 | 6.50 | 0.56 | CH4 | 5 | 107.00 |
| | CRX0273DE | 0.08 | 310 | 26.10 | 20.50 | 25.90 | 25.00 | 6.50 | 0.56 | CH4 | 5 | 124.00 |

HPS Centurion® R

Line Reactor

Enclosed Specification Charts Continued

60 Hz

| RMS Amp | Enclosed | Inductance (mH) | Watts Loss | Width | Depth | Height | Mtg. Width | Mtg. Depth | Mtg. Slot w x d | Enclosure Style | Termination Style Ref. | Weight (lb) |
|---------|-----------|-----------------|------------|-------|-------|--------|------------|------------|-----------------|-----------------|------------------------|-------------|
| 289 | CRX0289AE | 0.10 | 290 | 26.10 | 20.50 | 25.90 | 25.00 | 6.50 | 0.56 | CH4 | 5 | 115.00 |
| | CRX0289BE | 0.16 | 435 | 26.10 | 20.50 | 25.90 | 25.00 | 6.50 | 0.56 | CH4 | 5 | 195.00 |
| 302 | CRX0302AE | 0.08 | 310 | 26.10 | 20.50 | 25.90 | 25.00 | 6.50 | 0.56 | CH4 | 5 | 124.00 |
| | CRX0302BE | 0.13 | 475 | 26.10 | 20.50 | 25.90 | 25.00 | 6.50 | 0.56 | CH4 | 5 | 211.00 |
| 336 | CRX0336AE | 0.08 | 360 | 26.10 | 20.50 | 25.90 | 25.00 | 6.50 | 0.56 | CH4 | 5 | 150.00 |
| | CRX0336BE | 0.13 | 475 | 26.10 | 20.50 | 25.90 | 25.00 | 6.50 | 0.56 | CH4 | 5 | 211.00 |
| 343 | CRX0343AE | 0.03 | 200 | 26.10 | 20.50 | 25.90 | 25.00 | 6.50 | 0.56 | CH4 | 5 | 97.00 |
| | CRX0343BE | 0.03 | 200 | 26.10 | 20.50 | 25.90 | 25.00 | 6.50 | 0.56 | CH4 | 5 | 97.00 |
| | CRX0343CE | 0.05 | 230 | 26.10 | 20.50 | 25.90 | 25.00 | 6.50 | 0.56 | CH4 | 5 | 106.00 |
| | CRX0343DE | 0.06 | 325 | 26.10 | 20.50 | 25.90 | 25.00 | 6.50 | 0.56 | CH4 | 5 | 135.00 |
| 361 | CRX0361AE | 0.06 | 325 | 26.10 | 20.50 | 25.90 | 25.00 | 6.50 | 0.56 | CH4 | 5 | 135.00 |
| | CRX0361BE | 0.10 | 445 | 28.10 | 21.30 | 28.90 | 27.00 | 6.50 | 0.56 | CH5 | 5 | 203.00 |
| 382 | CRX0382AE | 0.07 | 435 | 28.10 | 21.30 | 28.90 | 27.00 | 6.50 | 0.56 | CH5 | 5 | 172.00 |
| | CRX0382BE | 0.12 | 580 | 28.10 | 21.30 | 28.90 | 27.00 | 6.50 | 0.56 | CH5 | 5 | 236.00 |
| 396 | CRX0396AE | 0.03 | 200 | 26.10 | 20.50 | 25.90 | 25.00 | 6.50 | 0.56 | CH4 | 5 | 97.00 |
| | CRX0396BE | 0.03 | 200 | 26.10 | 20.50 | 25.90 | 25.00 | 6.50 | 0.56 | CH4 | 5 | 97.00 |
| | CRX0396CE | 0.04 | 300 | 26.10 | 20.50 | 25.90 | 25.00 | 6.50 | 0.56 | CH4 | 5 | 132.00 |
| | CRX0396DE | 0.04 | 300 | 26.10 | 20.50 | 25.90 | 25.00 | 6.50 | 0.56 | CH4 | 5 | 132.00 |
| 412 | CRX0412AE | 0.07 | 435 | 28.10 | 21.30 | 28.90 | 27.00 | 6.50 | 0.56 | CH5 | 5 | 172.00 |
| | CRX0412BE | 0.11 | 550 | 28.10 | 21.30 | 28.90 | 27.00 | 6.50 | 0.56 | CH5 | 5 | 202.00 |
| 414 | CRX0414AE | 0.06 | 400 | 28.10 | 21.30 | 28.90 | 27.00 | 6.50 | 0.56 | CH5 | 5 | 181.00 |
| | CRX0414BE | 0.08 | 505 | 28.10 | 21.30 | 28.90 | 27.00 | 6.50 | 0.56 | CH5 | 5 | 199.00 |
| 472 | CRX0472AE | 0.06 | 400 | 28.10 | 21.30 | 28.90 | 27.00 | 6.50 | 0.56 | CH5 | 5 | 181.00 |
| | CRX0472BE | 0.10 | 560 | 28.10 | 21.30 | 28.90 | 27.00 | 6.50 | 0.56 | CH5 | 5 | 227.00 |
| 477 | CRX0477AE | 0.05 | 420 | 33.50 | 23.00 | 31.20 | 32.50 | 9.00 | 0.56 | CH6 | 6 | 231.00 |
| | CRX0477BE | 0.08 | 600 | 33.50 | 23.00 | 31.20 | 32.50 | 9.00 | 0.56 | CH6 | 6 | 306.00 |
| 515 | CRX0515AE | 0.05 | 420 | 33.50 | 23.00 | 31.20 | 32.50 | 9.00 | 0.56 | CH6 | 6 | 231.00 |
| | CRX0515BE | 0.08 | 600 | 33.50 | 23.00 | 31.20 | 32.50 | 9.00 | 0.56 | CH6 | 6 | 306.00 |
| 528 | CRX0528AE | 0.02 | 220 | 28.10 | 21.30 | 28.90 | 27.00 | 6.50 | 0.56 | CH5 | 6 | 130.00 |
| | CRX0528BE | 0.02 | 220 | 28.10 | 21.30 | 28.90 | 27.00 | 6.50 | 0.56 | CH5 | 6 | 130.00 |
| | CRX0528CE | 0.03 | 355 | 28.10 | 21.30 | 28.90 | 27.00 | 6.50 | 0.56 | CH5 | 6 | 158.00 |
| | CRX0528DE | 0.04 | 495 | 28.10 | 21.30 | 28.90 | 27.00 | 6.50 | 0.56 | CH5 | 6 | 189.00 |
| 590 | CRX0590AE | 0.04 | 495 | 28.10 | 21.30 | 28.90 | 27.00 | 6.50 | 0.56 | CH5 | 6 | 189.00 |
| | CRX0590BE | 0.06 | 680 | 33.50 | 23.00 | 31.20 | 32.50 | 9.00 | 0.56 | CH6 | 6 | 306.00 |
| 600 | CRX0600CE | 0.046 | 525 | 33.5 | 23 | 31.2 | 32.5 | 9 | 0.56 | CH6 | 6 | 296.00 |
| | CRX0600EE | 0.077 | 675 | 33.5 | 23 | 31.2 | 32.5 | 9 | 0.56 | CH6 | 6 | 316.00 |
| 700 | CRX0700CE | 0.039 | 615 | 33.5 | 23 | 31.2 | 32.5 | 9 | 0.56 | CH6 | 6 | 257.00 |
| | CRX0700EE | 0.066 | 860 | 33.5 | 23 | 31.2 | 32.5 | 9 | 0.56 | CH6 | 6 | 332.00 |
| 720 | CRX0720AE | 0.031 | 480 | 33.5 | 23 | 31.2 | 32.5 | 9 | 0.56 | CH6 | 6 | 231.00 |
| 750 | CRX0750CE | 0.037 | 600 | 33.5 | 23 | 31.2 | 32.5 | 9 | 0.56 | CH6 | 6 | 229.00 |
| | CRX0750DE | 0.049 | 770 | 33.50 | 23.00 | 31.20 | 32.50 | 9 | 0.56 | CH6 | 6 | 303.00 |
| | CRX0750EE | 0.061 | 940 | 33.50 | 23.00 | 31.20 | 32.50 | 9 | 0.56 | CH6 | 6 | 341.00 |
| 840 | CRX0840AE | 0.027 | 570 | 33.5 | 23 | 31.2 | 32.5 | 9 | 0.56 | CH6 | 6 | 236.00 |
| 900 | CRX0900CE | 0.031 | 750 | 33.5 | 23 | 31.2 | 32.5 | 9 | 0.56 | CH6 | 7 | 286.00 |
| | CRX0900DE | 0.041 | 950 | 33.5 | 23 | 31.2 | 32.5 | 9 | 0.56 | CH6 | 7 | 331.00 |
| | CRX0900EE | 0.051 | 1075 | 33.5 | 23 | 31.2 | 32.5 | 9 | 0.56 | CH6 | 7 | 376.00 |
| 960 | CRX0960AE | 0.022 | 675 | 33.5 | 23 | 31.2 | 32.5 | 9 | 0.56 | CH6 | 7 | 356.00 |
| 1000 | CRX1000CE | 0.028 | 785 | 33.5 | 23 | 31.2 | 32.5 | 9 | 0.56 | CH6 | 7 | 386.00 |
| | CRX1000DE | 0.037 | 820 | 33.5 | 23 | 31.2 | 32.5 | 9 | 0.56 | CH6 | 7 | 450.00 |
| | CRX1000EE | 0.046 | 970 | 33.5 | 23 | 31.2 | 32.5 | 9 | 0.56 | CH6 | 7 | 491.00 |
| 1080 | CRX1080AE | 0.022 | 675 | 33.5 | 23 | 31.2 | 32.5 | 9 | 0.56 | CH6 | 7 | 356.00 |
| 1200 | CRX1200AE | 0.018 | 710 | 33.5 | 23 | 31.2 | 32.5 | 9 | 0.56 | CH6 | 7 | 336.00 |
| | CRX1200CE | 0.023 | 880 | 33.5 | 23 | 31.2 | 32.5 | 9 | 0.56 | CH6 | 7 | 350.00 |
| | CRX1200DE | 0.031 | 1100 | 33.5 | 23 | 31.2 | 32.5 | 9 | 0.56 | CH6 | 7 | 423.00 |
| | CRX1200EE | 0.038 | 1100 | 33.5 | 23 | 31.2 | 32.5 | 9 | 0.56 | CH6 | 7 | 508.00 |

50 Hz

| RMS Amp | Enclosed | Inductance (mH) | Watts Loss | Width | Depth | Height | Mtg. Width | Mtg. Depth | Mtg. Slot w x d | Enclosure Style | Termination Style Ref. | Weight (lb) |
|---------|-----------------|-----------------|------------|-------|-------|--------|------------|------------|-----------------|-----------------|------------------------|-------------|
| 1.2 | CRX01D2NE | 33.94 | 15 | 10 | 8 | 8.13 | 7 | 6.5 | 0.188 | N1 | 1 | 7.5 |
| 1.6 | CRX01D6NE | 23.55 | 12 | 10 | 8 | 8.13 | 7 | 6.5 | 0.188 | N1 | 1 | 7.5 |
| 1.6 | CRX0002NE | 17.83 | 21 | 10 | 8 | 8.13 | 7 | 6.5 | 0.188 | N1 | 1 | 8 |
| 2.1 | CRX02D1NE | 10.61 | 19 | 10 | 8 | 8.13 | 7 | 6.5 | 0.188 | N1 | 1 | 7.5 |
| | CRX02D1PE | 17.83 | 21 | 10 | 8 | 8.13 | 7 | 6.5 | 0.188 | N1 | 1 | 8 |
| 3 | CRX0003NE | 7.06 | 22 | 10 | 8 | 8.13 | 7 | 6.5 | 0.188 | N1 | 1 | 8 |
| | CRX0003PE | 10.61 | 35 | 10 | 8 | 8.13 | 7 | 6.5 | 0.188 | N1 | 1 | 8 |
| 3.4 | CRX03D4NE | 10.61 | 35 | 10 | 8 | 8.13 | 7 | 6.5 | 0.188 | N1 | 1 | 8 |
| 3.7 | Consult Factory | | | | | | | | | | | |
| 4.5 | Consult Factory | | | | | | | | | | | |
| 4.8 | CRX04D8NE | 4.70 | 22 | 10 | 8 | 8.13 | 7 | 6.5 | 0.188 | N1 | 1 | 8 |
| | CRX04D8PE | 7.78 | 35 | 10 | 8 | 8.13 | 7 | 6.5 | 0.188 | N1 | 1 | 9.5 |
| 7.5 | CRX07D5NE | 5.09 | 40 | 10 | 8 | 8.13 | 7 | 6.5 | 0.188 | N1 | 2 | 16 |
| 8 | CRX0008NE | 2.57 | 36 | 10 | 8 | 8.13 | 7 | 6.5 | 0.188 | N1 | 2 | 10 |
| | CRX0008PE | 4.67 | 29 | 10 | 8 | 8.13 | 7 | 6.5 | 0.188 | N1 | 1 | 8 |
| 11 | CRX0011NE | 3.40 | 39 | 10 | 8 | 8.13 | 7 | 6.5 | 0.188 | N1 | 2 | 16 |
| 11.8 | CRX11D8NE | 1.66 | 51 | 10 | 8 | 8.13 | 7 | 6.5 | 0.188 | N1 | 2 | 15.5 |
| | CRX11D8PE | 2.73 | 57 | 10 | 8 | 8.13 | 7 | 6.5 | 0.188 | N1 | 2 | 16.5 |
| 14 | CRX0014NE | 2.73 | 57 | 10 | 8 | 8.13 | 7 | 6.5 | 0.188 | N1 | 2 | 16.5 |
| 15.6 | CRX15D6NE | 1.28 | 51 | 10 | 8 | 8.13 | 7 | 6.5 | 0.188 | N1 | 2 | 16 |
| | CRX15D6PE | 2.14 | 77 | 10 | 8 | 8.13 | 7 | 6.5 | 0.188 | N1 | 2 | 17 |
| 18 | CRX0018NE | 2.14 | 77 | 10 | 8 | 8.13 | 7 | 6.5 | 0.188 | N1 | 2 | 17 |
| 21 | CRX0021NE | 2.14 | 77 | 10 | 8 | 8.13 | 7 | 6.5 | 0.188 | N1 | 2 | 17 |
| 23 | CRX0023NE | 1.06 | 57 | 10 | 8 | 8.13 | 7 | 6.5 | 0.188 | N1 | 3 | 16.5 |
| | CRX0023PE | 1.43 | 80 | 14 | 14 | 12.13 | 10 | 10.5 | 0.188 | N2 | 3 | 22.5 |
| 25 | CRX0025NE | 1.77 | 93 | 14 | 14 | 12.13 | 10 | 10.5 | 0.188 | N2 | 3 | 21.5 |
| 30.5 | CRX30D5NE | 0.68 | 80 | 10 | 8 | 8.13 | 7 | 6.5 | 0.188 | N1 | 3 | 17.5 |
| | CRX30D5PE | 1.13 | 115 | 14 | 14 | 12.13 | 10 | 10.5 | 0.188 | N2 | 3 | 22 |
| 33 | CRX0033NE | 1.13 | 115 | 14 | 14 | 12.13 | 10 | 10.5 | 0.188 | N2 | 3 | 22 |
| 37.8 | CRX37D8NE | 0.55 | 68 | 10 | 8 | 8.13 | 7 | 6.5 | 0.188 | N1 | 3 | 17 |
| | CRX37D8PE | 0.94 | 105 | 14 | 14 | 12.13 | 10 | 10.5 | 0.188 | N2 | 3 | 22.5 |
| 45.2 | CRX45D2NE | 0.45 | 130 | 14 | 14 | 12.13 | 10 | 10.5 | 0.188 | N2 | 3 | 29 |
| | CRX45D2PE | 0.74 | 170 | 14 | 14 | 12.13 | 10 | 10.5 | 0.188 | N2 | 3 | 35 |
| 45 | CRX0045NE | 0.91 | 130 | 14 | 14 | 12.13 | 10 | 10.5 | 0.188 | N2 | 3 | 35 |
| 55 | CRX0055NE | 0.74 | 170 | 14 | 14 | 12.13 | 10 | 10.5 | 0.188 | N2 | 3 | 35 |
| 59.8 | CRX59D8NE | 0.36 | 110 | 14 | 14 | 12.13 | 10 | 10.5 | 0.188 | N2 | 4 | 35 |
| | CRX59D8PE | 0.60 | 216 | 14 | 14 | 12.13 | 10 | 10.5 | 0.188 | N2 | 4 | 40 |
| 65 | CRX0065NE | 0.60 | 216 | 14 | 14 | 12.13 | 10 | 10.5 | 0.188 | N2 | 4 | 40 |
| 74.4 | CRX74D4NE | 0.29 | 105 | 14 | 14 | 12.13 | 10 | 10.5 | 0.188 | N2 | 4 | 31 |
| | CRX74D4PE | 0.49 | 160 | 14 | 14 | 12.13 | 10 | 10.5 | 0.188 | N2 | 4 | 34 |
| 80 | CRX0080NE | 0.48 | 210 | 14 | 14 | 12.13 | 10 | 10.5 | 0.188 | N2 | 4 | 58 |
| 89 | CRX0089NE | 0.24 | 120 | 14 | 14 | 12.13 | 10 | 10.5 | 0.188 | N2 | 4 | 34 |
| | CRX0089PE | 0.39 | 170 | 14 | 14 | 12.13 | 10 | 10.5 | 0.188 | N2 | 4 | 59 |
| 96 | CRX0096NE | 0.39 | 170 | 14 | 14 | 12.13 | 10 | 10.5 | 0.188 | N2 | 4 | 59 |
| 111 | Consult Factory | | | | | | | | | | | |
| | CRX0111PE | 0.30 | 185 | 14 | 14 | 12.13 | 10 | 10.5 | 0.188 | N2 | 5 | 58 |
| 130 | CRX0130NE | 0.35 | 240 | 26.1 | 20.5 | 25.9 | 25 | 6.5 | 0.56 | CH4 | 5 | 114 |
| 147 | CRX0147NE | 0.15 | 210 | 14 | 14 | 12.13 | 10 | 10.5 | 0.188 | N2 | 5 | 42 |
| | CRX0147PE | 0.24 | 260 | 23.5 | 16.5 | 17.9 | 22.4 | 6.5 | 0.56 | CH2 | 5 | 63 |
| 160 | CRX0160NE | 0.24 | 260 | 23.5 | 16.5 | 17.9 | 22.4 | 6.5 | 0.56 | CH2 | 5 | 63 |
| 183 | CRX0183NE | 0.13 | 180 | 23.5 | 16.5 | 17.9 | 22.4 | 6.5 | 0.56 | CH2 | 5 | 85 |
| | CRX0183PE | 0.20 | 360 | 26.1 | 20.5 | 25.9 | 25 | 6.5 | 0.56 | CH4 | 5 | 127 |
| 219 | CRX0219NE | 0.10 | 225 | 23.5 | 16.5 | 17.9 | 22.4 | 6.5 | 0.56 | CH2 | 5 | 89 |
| | CRX0219PE | 0.16 | 435 | 26.1 | 20.5 | 25.9 | 25 | 6.5 | 0.56 | CH4 | 5 | 195 |
| 291 | CRX0291NE | 0.08 | 310 | 26.1 | 20.5 | 25.9 | 25 | 6.5 | 0.56 | CH4 | 5 | 124 |
| | CRX0291PE | 0.12 | 580 | 28.1 | 21.3 | 28.9 | 27 | 6.5 | 0.56 | CH5 | 5 | 236 |

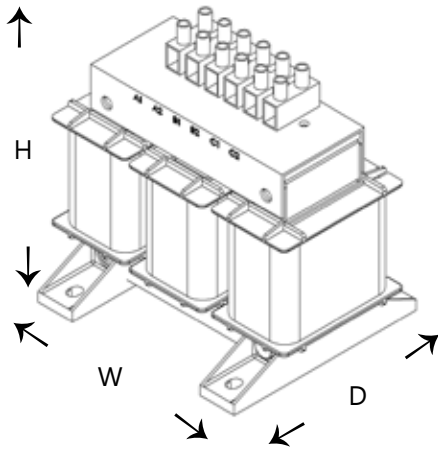
All dimensions in inches
Refer to page 19 for drawings

HPS Centurion® R

Line Reactor

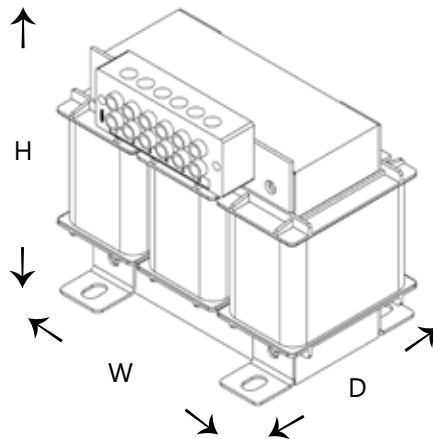
Diagrams

Figure #1



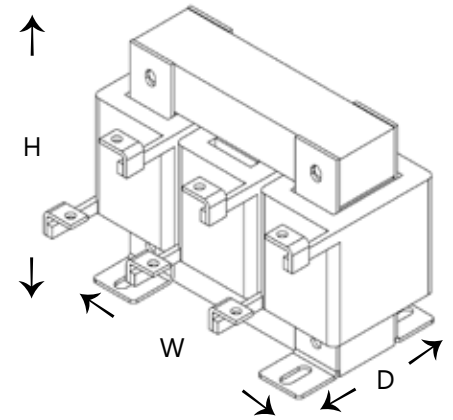
Mounting hardware
(not included)
4 pcs - 1/4 in. bolts
4 pcs - 1/4 in. nuts
8 pcs - 1/4 in. flat washers
4 pcs - 1/4 in. lock washers
Max. tightening torque: 5.5 ft-lb

Figure #2



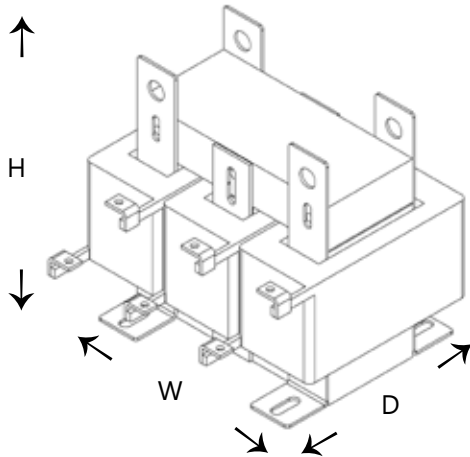
Mounting hardware
(not included)
4 pcs - 5/16 in. bolts
4 pcs - 5/16 in. nuts
8 pcs - 5/16 in. flat washers
4 pcs - 5/16 in. lock washers
Max. tightening torque: 18 ft-lb

Figure #3



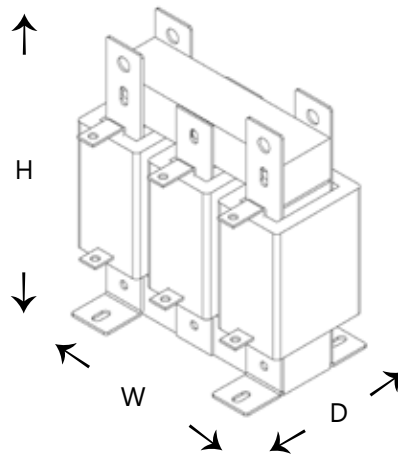
| Mounting hardware (not included) | .38x.5 slot | .44x1.0 slot |
|-------------------------------------|----------------|-----------------|
| 4 pcs bolts | 5/16 in. | 3/8 in. |
| 4 pcs nuts | 5/16 in. | 3/8 in. |
| 8 pcs flat washers | 5/16 in. | 3/8 in. |
| 4 pcs lock washers | 5/16 in. | 3/8 in. |
| Max. tightening torque | 18 ft-lb | 28 ft-lb |

Figure #4



Mounting hardware
(not included)
4 pcs - 3/8 in. bolts
4 pcs - 3/8 in. nuts
8 pcs - 3/8 in. flat washers
4 pcs - 3/8 in. lock washers
Max. tightening torque: 28 ft-lb

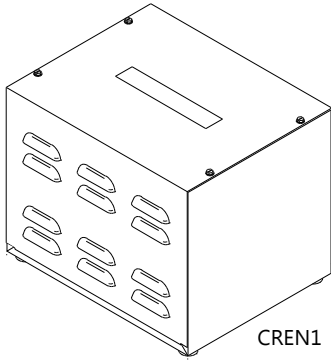
Figure #5



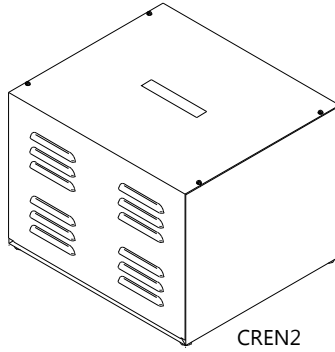
Mounting hardware
(not included)
4 pcs - 3/8 in. bolts
4 pcs - 3/8 in. nuts
8 pcs - 3/8 in. flat washers
4 pcs - 3/8 in. lock washers
Max. tightening torque: 28 ft-lb

Enclosure Styles

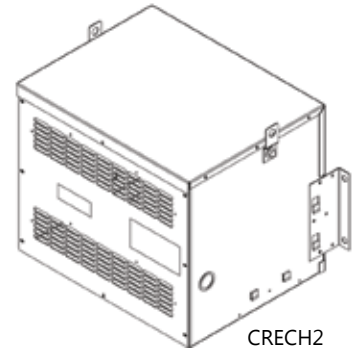
N1



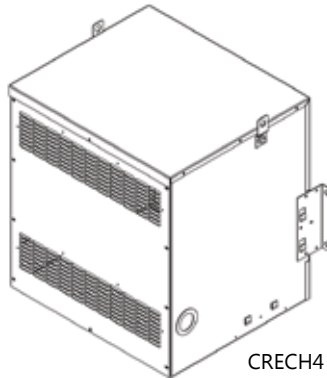
N2



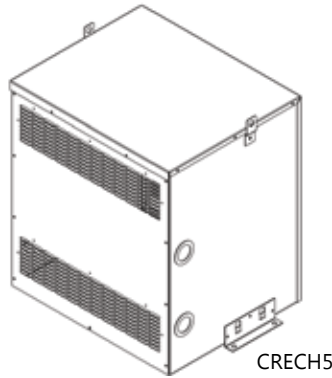
CH2



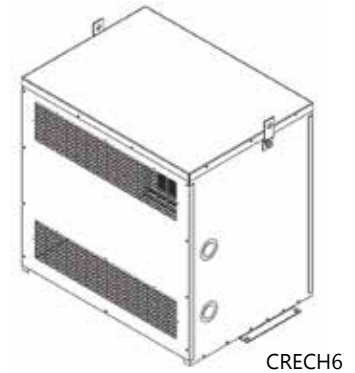
CH4



CH5



CH6

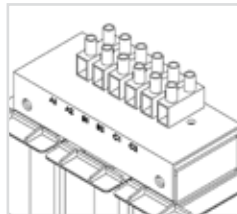


Termination Style Reference

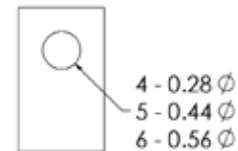
| Style Number | Size | Max. Amps | Max. Torque |
|--------------|-----------|-----------|-------------|
| 1 | 18-14 AWG | 9 | 5 in-lbs |
| 2 | 13-10 AWG | 27 | 11 in-lbs |
| 3 | 4-14 AWG | 65 | 20 in-lbs |
| 4 | 0.28" | 110 | 10 ft-lbs |
| 5 | 0.44" | 472 | 28 ft-lbs |
| 6 | 0.56" | 840 | 70 ft-lbs |
| 7 | 4 x 0.53" | 1200 | 70 ft-lbs |

Style #1, 2

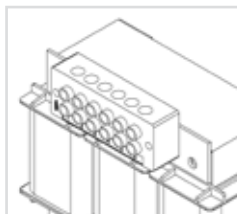
Use applicable terminal block



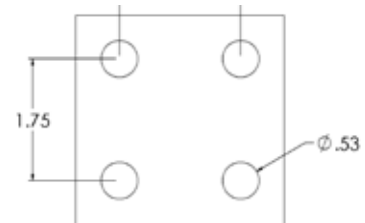
Style #4, 5, 6



Style #3



Style #7





CANADA

Hammond Power Solutions
595 Southgate Drive
Guelph, Ontario N1G 3W6
Tel: (519) 822-2441
Fax: (519) 822-9701
Toll Free: 1-888-798-8882
sales@hammondpowersolutions.com

ASIA

Hammond Power Solutions Pvt. Ltd.
D. No. 5-2/222/IP/B, II-Floor, Icon Plaza
Allwyn X-Roads, Miyapur, Hyderabad 500 049
Tel: +91-994-995-0009
marketing-india@hammondpowersolutions.com

UNITED STATES

Hammond Power Solutions
1100 Lake Street
Baraboo, Wisconsin 53913-2866
Tel: (608) 356-3921
Fax: (608) 355-7623
Toll Free: 1-866-705-4684
sales@hammondpowersolutions.com

EMEA (Sales Office)

Hammond Power Solutions SpA
Tel: +49 (152) 08800468
sales-emea@hammondpowersolutions.com



Distributed by: