

Installation, Operation, and Maintenance Guide

For indoor/outdoor three-phase encapsulated transformers which utilize DQT type enclosures.

This manual covers the recommendations for the installation, operation and maintenance of three-phase encapsulated low voltage transformers. It is emphasized that these abbreviated instructions should be used in conjunction with all local and National codes and should be referenced accordingly.

| | Page |
|--------------------------|------|
| Warnings | 2 |
| Safety Instructions | 3 |
| General | 4 |
| Handling | 4 |
| Receiving & Inspection | 4 |
| Storage | 5 |
| Installation | 5 |
| Ventilation | 6 |
| Accessibility | 6 |
| Transformer Sound Levels | 6 |
| Cable Connections | 7 |
| Grounding | 8 |
| Altering the Transformer | 8 |
| Before Energization | 9 |
| Operation | 9 |
| Maintenance | 10 |
| Dry-out of Transformers | 11 |
| Accessories | 12 |



The pictures used in this guide are only a representation and may vary from the actual product.

Disclaimer of Liability

The recommended practices in this manual are for general applications and are supplied without liability for errors or omissions. Technical data are subject to change at any time without notice and any necessary corrections will be included in subsequent editions.

Special requirements should be referenced back to the manufacturer and/or their representative.

*Note: this guide is Trilingual
(English, French, Spanish)




Literature No.: **TIT3IM**
Issue Date: January 2019

This guide covers the recommendations for the installation, operation and maintenance of encapsulated dry-type transformers which utilize DQT type enclosures. It is emphasized that these abbreviated instructions should be used in conjunction with all standards and local codes covering such work and should be referenced accordingly.

These recommended practices are for general applications and any special requirements should be referenced back to the transformer manufacturer and/or their representative.

It is further recommended that installation work be governed by all applicable National, State and Local codes standards and regulations and ANSI/IEEE C57.94. This is the IEEE recommended practice for Installation, Application, Operation and Maintenance of Dry-type General Purpose Distribution and Power Transformers. All work should be performed in accordance with NFPA 70E Standard for Electrical Safety in the Workplace and CSA Z462, Workplace Electrical Safety. Always use appropriate personal protective equipment (PPE).

This manual contains warnings to observe in order to ensure personal safety and prevent property damage. Read these instructions carefully and look at the equipment to become familiar with the device before trying to install, operate, service or maintain it. The notices referring to personal safety are highlighted in the manual by a safety alert symbol, notices referring only to property damage have no safety alert symbol. These notices shown below are graded according to the degree of danger. If more than one degree of danger is present, the warning representing the highest degree of danger will be used.

| | |
|---|---|
|  | DANGER DANGER indicates an imminently hazardous situation which, if not avoided, will result in death or serious injury, and/or substantial property damage. |
|  | WARNING WARNING indicates a potentially hazardous situation which, if not avoided, can result in death or serious injury, and/or substantial property damage. |
|  | CAUTION CAUTION indicates a potentially hazardous situation which, if not avoided, can result in minor or moderate injury and/or property damage. |

Important Note:

Electrical equipment should be installed, operated, serviced, and maintained, only by qualified personnel. No responsibility is assumed by the manufacturer for any consequences arising out of the use of this material.

Safety Precautions

Please check resin level before drilling hole for conduit and site conduit properly so it does not come in contact with resin.

**DANGER****HAZARD OF ELECTRIC SHOCK, EXPLOSION OR ARC FLASH**

Refer to nameplate for ratings and voltages.
This equipment must only be installed and serviced by qualified electrical personnel.
Follow all requirements in NFPA 70E and CSA Z462 for safe work practice and personal protective equipment (PPE).
Turn off all power supplying this equipment before working on or inside equipment.
Always use a properly rated voltage sensing device to confirm power is off.
Replace all devices, doors, and covers before turning on power to this equipment.

Failure to follow these instructions will result in serious injury or death.

Class 1, Division 2, Hazardous Location

Installation Requirements

If this unit is designed for use in Class 1, Division 2, Groups A, B, C & D hazardous locations then also refer to notes below:

- (1) **Power, input and output (I/O) wiring must be in accordance with Class 1, Division 2 wiring methods as per Article 501-10 (b) of the National Electrical Code.**
- (2) **WARNING - EXPLOSION HAZARD - DO NOT DISCONNECT EQUIPMENT WHILE THE CIRCUIT IS LIVE OR UNLESS THE AREA IS KNOWN TO BE FREE OF IGNITABLE CONCENTRATIONS.**
- (3) **WARNING - EXPLOSION HAZARD - SUBSTITUTION OF ANY COMPONENT MAY IMPAIR SUITABILITY FOR CLASS I, DIVISION 2.**

1. Do not lift or move a transformer without proper equipment and properly trained personnel. Ensure that the transformer is only lifted using the listing provisions provided. Always use lifting provisions provided by the manufacturer. Rolling and skidding are recommended only on transformers with a pre-ordered skidding base.
2. Do not off-load the transformer until it has been fully inspected for damages. If any damages are identified the transformer should not be energized and the transformer manufacturer should be contacted immediately.
3. Only use terminals for electrical connections. The transformer terminals are not designed to support the weight of line or load cable.
4. Connections should only be made in accordance with the nameplate diagram or connection drawings and the applicable local codes and standards.
5. Make sure all power (including back-fed control and possible capacitor charge) is disconnected and all windings are grounded before attempting any work on the transformer or inside the enclosure. (zero energy)
6. Make certain all ground connections, line terminals and selected tap connections are completed and tightened before energizing the transformer.
7. Do not attempt to change any primary or secondary connections or taps while the transformer is energized.
8. Do not tamper with control panels, alarms, interlocks, or control circuits if provided.
9. Do not adjust or remove any accessories or cover plates while the transformer is energized.
10. No cables should come in contact with or any live parts except the terminal that it is intended for. Ensure that minimum clearances are maintained at all times.
11. This equipment must only be installed and serviced by qualified electrical personnel.
12. Follow all requirements in NFPA 70E and CSA Z462 for safe work practice and personal protective equipment (PPE).
13. Replace all devices, doors, and covers before turning on power to this equipment.
14. Modifications of any kind to the equipment are not permitted. Besides voiding the warranty such actions may result in hazardous situations of which the person(s) performing the modifications will be solely liable.

General



DANGER

HAZARD OF ELECTRIC SHOCK, EXPLOSION OR ARC FLASH

Refer to nameplate for ratings and voltages.
 This equipment must only be installed and serviced by qualified electrical personnel.
 Follow all requirements in NFPA 70E and CSA Z462 for safe work practice and personal protective equipment (PPE).
 Turn off all power supplying this equipment before working on or inside equipment.
 Always use a properly rated voltage sensing device to confirm power is off.
 Replace all devices, doors, and covers before turning on power to this equipment.

Failure to follow these instructions will result in death or serious injury.

Three-phase encapsulated transformers are manufactured to provide optimum performance for a lifetime of uninterrupted service. Careful attention to the following instructions is recommended for safe and reliable operation.

Installation, operation and maintenance of transformers should be performed by authorized personnel, trained and qualified in the installation, repair and maintenance of electrical equipment.

As any other electrical equipment, transformers must be installed according to the requirements of all applicable national and local electrical codes. ANSI/IEEE C57-94 may also be referred to for recommended installation, application, operation and maintenance of three-phase encapsulated transformers.

Handling



WARNING

Failure to follow lifting procedures can result in death, serious injury, or property damage.

Transformers are palletized and can either be lifted via a forklift truck or hoisted by the lifting lugs provided.

Appropriate lifting equipment should be used relative to the size of each transformer. For safety purposes and to protect the transformer, spreader bars are recommended.

No attempt should be made to lift or move a transformer from any points on the unit other than those indicated. Refer to page 17 (lifting brackets). Avoid subjecting transformer to impact, jolting and other rough handling that may damage the transformer.

Ensure the transformers are transported in upright position - avoid tilting and tipping.

Receiving & Inspection

Immediately after receiving the transformer, it should be inspected for any transit damage and for correctness against the shipping documents.

The unit should be examined for any breaks in its packaging, dented or damaged enclosures or missing parts from the packing list.

If any damage is noted, a claim should be filed immediately with the carrier and a second copy of all pertinent information relative to the order and the circumstances should be immediately communicated to the transformer manufacturers local sales office.

If the examination of the unit takes place outdoors, caution should be exercised to protect the unit against factors that may present further damage.

Storage



WARNING

Failure to follow storage requirements can result in death or serious injury, and property damage.
- Deterioration of product

Transformers that will not be immediately installed and energized, should be stored in a clean dry environment away from any environmental airborne contaminants. Transformers should be stored in such a way not to represent any type of hazard. Stacking transformers one on top of another without proper shelving is not permitted.

It is recommended that transformers be stored in a heated building with uniform temperature and adequate air circulation to prevent condensation with the protective plastic wrap still installed for long term storage. If storage in a heated building is not possible, transformers must be properly protected from contaminants and moisture preferably in a non heated building. We recommend that electric heating be installed inside the transformer to maintain a uniform temperature above the ambient and to prevent condensation. In extreme cases they may be stored in temperatures no lower than -40°C (-40°F). Special care should be given to prevent the formation of condensation inside the stored transformers. Units that are to be energized after being stored at a low temperature or after being stored for a long time must be warmed to -25°C (-13°F) with warm air or radiant heat. Once the unit reaches this temperature and its free of condensation and any other contaminants resulting from the storage process, it is safe to be energized.

Installation



DANGER

HAZARD OF ELECTRIC SHOCK, EXPLOSION OR ARC FLASH

Failure to follow these Installation instructions and all applicable local and national codes when installing and connecting a transformer will result in death or serious injury and/ or substantial property damage.

Before drilling holes, please ensure proper clearance is allowed to the resin for both conduit and conduit nut.

Indoor/Outdoor Transformers with Type 4, 4X or 12 Enclosures.

All three-phase encapsulated transformers are supplied with standard type 4 enclosure which also meets type 12. Type 4 enclosure offer much greater protection against a variety of elements such as dust, dirt, snow, moisture, rain etc. Units may be installed indoors, or outdoors where applicable.

For any outdoor location, the appropriate applicable codes must be followed including cable installation and hardware suitable for outdoor service. Before outdoor installations, verify that adequate site drainage exists to prevent groundwater from entering the transformers.

Water tight couplings are strongly recommended to be installed for any holes drilled in the enclosure. When drilling holes, note the resin level.

Three-phase encapsulated transformers must be installed in an upright position on walls, floors, posts, beams or other locations capable of supporting their weight with the proper accessories attached.

Installation (continued)

Ventilation



WARNING

Failure to follow the ventilation instructions can result in death, serious injury or property damage.

Encapsulated transformers are required to be installed in an area where they can be cooled by means of the free circulation of air where the average ambient temperature is 30°C (86°F) and should not exceed 40°C (104°F) at any time unless low temperature rise designs are selected.

Adequate ventilation is essential for transformers to meet their nameplate kVA capability. Multiple encapsulated transformers should be located at least 2 inches apart on units up to 10kVA and at least 4 inches apart on units over 10kVA, away from any other obstructions to allow free, clean circulation of air.

Accessibility



CAUTION

Failure to follow accessibility instructions can result in injury and/or property damage.

NEC standards require that transformers be accessible for inspection and located accordingly.

However, transformers should not be located in areas where stored items are likely to interfere with either natural air convection or the capability to have them inspected. Passage ways or other areas where people could be exposed to live parts during inspection should also be avoided.

Adequate protection should be provided under any circumstances.

Transformer Sound Levels

Transformers are an electrically energized apparatus and by their nature during normal operation will emit a certain level of sound.

Transformers are required to meet NEMA standards for the maximum sound levels permissible. These sound level standards vary from 40 to 67 dB and as such may be an annoyance if located in close proximity to where people work or reside.

Care should therefore be exercised in selecting sites for transformers particularly in sensitive areas like hospitals, classrooms, medical or office facilities.

The following guidelines may be helpful:

- ➔ Units should be mounted away from corners or reflecting walls or ceilings.
- ➔ Flexible conduit should be considered to make the incoming/ outgoing connections.
- ➔ Depending on the environment, to reduce noise acoustically absorbing materials could be considered for walls and ceilings around the unit.
- ➔ The location of the unit should be as far as practical from areas where sound levels could be considered undesirable.

Cable Connections



DANGER

HAZARD OF ELECTRIC SHOCK, EXPLOSION OR ARC FLASH

Failure to follow these instructions will result in death, serious injury or property damage.

Never attempt to change connections or taps unless the transformer is de-energized and all windings grounded.



WARNING

Failure to follow lifting procedures can result in death, serious injury, or property damage.

The connecting cable size is determined from the line current rating of the transformers primary and secondary windings and may be selected from the information in appendix A (page 14). Use wire rated for at least 90°C (194°F) and sized on the basis of 75°C (167°F) ampacity. Use with AL9CU-AL-CU lugs. Electrical Connector Lugs, if provided, are to be used with SIW, Class B or Class C cables or wires only.

For three-phase encapsulated transformers, pre-punched knockouts are not provided. Use the appropriate cable connector suitable for the application. Please refer to Appendix D for cable entry locations. If a transformer must be relocated to make the necessary cable connections, all safety requirements and the related lifting procedures must be followed.

Cable Connection Requirements

Side entry of cables is recommended.

- ➔ For standard non-ventilated DQT type 4 enclosures, bottom entry is permitted only in the areas defined in Appendix D.
- ➔ Offset connectors can be used to help with cable connections to terminal pads, to reduce the bending space for the cables

Cable connection lugs of plated copper may be used to connect to the transformer terminals. Terminals should be cleaned and electrical joint compounds are recommended for use on all electrical connections.

Make certain to insulate any unused wire leads with marrette connectors and electrical tapes where applicable.

Refer to the transformer nameplate for primary and secondary voltage connection combinations and primary and/or secondary tap positions as applicable.

Transformers received from the factory will have tap jumpers installed on the nominal, or 100%, voltage position. The taps may still be coated with impregnation material and insulation.

To change taps, it is necessary to gently remove all contaminants and insulation from the surface of the top and bottom of the taps (eye-loop or lugs) by sanding the lugs to the bare metal.

The surface of the tap lead should be clean and coated subsequently with electrical compound on all non-plated contacts between the jumper terminal and the tap. Assemble jumpers to taps as per Appendix D (Drawing 1 for single conductor eye-loops and tap lugs or Drawing 2 for double conductor eye-loop taps).

**DANGER****HAZARD OF ELECTRIC SHOCK, EXPLOSION OR ARC FLASH**

After installation of cables and connectors, the minimum clearance prescribed by the applicable codes and standards for the respective voltage class must be maintained from energized parts to all case parts.

Failure to install cables and connectors as per all applicable codes and standards and the attached guidelines will result in serious personal injury or death and property damage.

The following table may be used as a guideline for minimum clearances at altitudes not exceeding 1000 m (3300 ft.). Above 1000 m (3300 ft.) please consult factory.

| Transformer Voltage Class | Minimum Clearance (mm) | Minimum Clearance (in.) |
|---------------------------|------------------------|-------------------------|
| 1.2 KV | 25 | 1 |
| 2.5 KV | 51 | 2 |
| 5.0 KV | 102 | 4 |
| 8.7 KV | 135 | 5.3 |
| 15 KV | 203 | 8 |
| 18 KV | 254 | 10 |
| 25 KV | 305 | 12 |
| 34.5 KV | 406 | 16 |

Note: "Some specific component parts of a transformer may require clearances different than those indicated above. For those exceptions, you should comply with the instructions provided in the assembly drawings or installation procedure."

Grounding**DANGER****HAZARD OF ELECTRIC SHOCK, EXPLOSION OR ARC FLASH**

Failure to properly ground the transformer as per all applicable codes and standards will result in serious personal injury or death.

All core and coil assemblies are solidly grounded to the enclosure internally and accessible to ensure that all conductive metal parts have the same potential.

To ensure the safety in operation, the transformer must be properly grounded before energizing. Most transformers have a main ground location identified accordingly. If a main ground location is not provided, it is the responsibility of the installing contractor to make and verify the necessary ground connections.

This grounding should be in accordance with all national and local electrical codes and standards.

Altering the Transformer**DANGER****HAZARD OF ELECTRIC SHOCK, EXPLOSION OR ARC FLASH**

Misapplication or misuse of this equipment may result in serious personal injury or death and property damage.

The application of this equipment is the responsibility of the customer or their agent. Misapplication or misuse may result in serious personal injury or death and/or property damage.

Any modifications to this equipment need to be compliant with all applicable codes and standards, and certain modifications may jeopardize Warranty terms. It is the responsibility of the individual(s) performing any equipment modifications to (i) ensure that the applicable performance and safety requirements are still met by the modified equipment; and, (ii) confirm that proposed modifications will not void the Manufacturer's Warranty.

Before Energization



DANGER

HAZARD OF ELECTRIC SHOCK, EXPLOSION OR ARC FLASH

Failure to install the transformer in accordance with all applicable codes/ standards and the instructions in this booklet will result in serious personal injury or death and property damage.

For the safe and proper operation of the transformer, please check and verify the following:

- a) Ensure correct phase connections. Refer to the nameplate vector diagram.
- b) The load on a delta secondary winding with a 120 volt center tap should not exceed the normal current rating of the winding. This center tap is designed for a max. of 5% of the nameplate kVA.
- c) The enclosure should be grounded with the appropriately sized conductor as per local codes and standards requirements.
- d) The total load among all the phases should be balanced as much as possible for optimum performance of the transformers windings. The kVA loading on each phase must not exceed 1/3 of the nameplate kVA rating of the transformer.
- e) The appropriate clearance and tightness of all electrical connections should be checked.
- f) Following the proper safety precautions, after energizing and before connecting any loads, please measure and verify the output voltage matches nameplate specifications.
- g) If there is any reason to suspect that the transformer has been exposed to moisture during transit or storage, it should be checked for dryness before energization. This can be done by performing an insulation resistance test (Megger Test). If any exposure to moisture is suspected, consult factory.

Operation



DANGER

HAZARD OF ELECTRIC SHOCK, EXPLOSION OR ARC FLASH

Failure to properly operate the transformer as per all applicable codes and standards and the attached instructions will result in serious personal injury or death.

Under full load operating conditions, encapsulated dry-type transformers may appear warm to the touch, particularly on the cover of the unit.

Standards permit the temperatures of the cover to reach 65°C (149°F) over ambient.

Three-phase encapsulated transformers are designed to operate continuously at their full nameplate kVA rating under normal operating conditions.

ANSI C57.96 provides guidelines for loading transformers under different operating conditions including:

- ➔ Ambient temperatures that differ from the ambient temperatures required for transformer operation. ANSI recommends a maximum ambient of 40°C.
- ➔ Short time overload as it relates to time and temperature

**WARNING**

Failure to identify and correct the root causes for the transformer overheating can result in death or personal injury, property damage or severely reduced transformer life expectancy.

and the corresponding loss of life of the transformer.

- Overload that results in a reduction of life expectancy of the transformer.

If the transformer is experiencing increased operating temperatures, the following contributing factors should be considered and immediately corrected:

- Rigorous motor starting loads or other impact type loading. For this type of applications a specific transformer type is required.
- Over-excitation of unit due to excess supply line voltage or current.
- Ambient temperatures above standard.
- Overload beyond ANSI C57.96 guidelines.
- Harmonic distortions of the supply line voltage and currents.

Three-phase encapsulated transformers may be shut down and stored for extended periods of time without any deterioration. Care must be exercised to clean and dry units prior to energization, as previously outlined. Proper packaging and moisture prevention measures during storing are essential. Perform insulation resistance (megger) before re-energizing.

Maintenance

**DANGER****HAZARD OF ELECTRIC SHOCK, EXPLOSION OR ARC FLASH**

Failure to de-energize, isolate and ground the transformer terminals and to verify the ground potential on all terminals before performing any work on the transformer will result in serious personal injury or death.

Inserting any objects through the ventilation openings while the transformer is energized will result in serious personal injury or death.

Under normal operating conditions and environments, three-phase encapsulated transformers require periodic care and inspection. This is essential if the unit is installed in harsh environmental conditions (for ex. outside, environments with high levels of pollutants and dust, etc.).

Internal maintenance must be performed only with the transformer de-energized, isolated and with all the terminals grounded.

Maintenance typically includes internal cleaning, tightening of links and bolted connections to prescribed torque levels, servicing and inspection of auxiliary devices and an infrared scan or thermal image of the transformer.


All bolted connections at terminals must be in good condition. We recommend under scheduled annual maintenance or at shorter regular intervals that connections be checked for proper torque values and any signs or oxidation, arching and improper electrical connection. If any improper connections are identified they must be corrected immediately.

| RECOMMENDED TORQUE VALUES FOR BOLTED ELECTRICAL CONNECTIONS | | | |
|---|----------------------------|--------------------------------|------------------------------|
| BOLT SIZE | CARBON ST. | BRASS | S.S STEEL |
| | GRADE 5 ft-lbs [Nm] ±5% | ALLOY CU270 ft-lbs [Nm] ±5% | B8 OR B8M ft-lbs [Nm] ±5% |
| 1/4-20 | 7 [10] | 3.8 [5] | 5 [6] |
| 3/8-16 | 20 [27] | 14 [18] | 15 [20] |
| 1/2-13 | 60 [70] | 33 [45] | 37 [50] |
| 8 mm | 20 [23] | 12 [14] | 12 [14] |
| 12 mm | 60 [70] | 33 [45] | 37 [50] |

*Note: The above torque values are for dry, unlubricated bolts.

The ground connection should also be checked to ensure a low impedance connection.

The door fit and gasket condition should be checked for a proper fit and seal.




WARNING

Failure to follow storage requirements can result in death or serious injury, and property damage.

Dry-Out of Transformers

Transformers that have been exposed to flood conditions, may not be able to be dried out appropriately. The insulation resistance, primary to core, secondary to core and primary to secondary, should be greater than 1kV MEGOHMS. Contact the transformer manufacturer for appropriate action instructions.



DANGER

HAZARD OF ELECTRIC SHOCK, EXPLOSION OR ARC FLASH

Failure to follow the attached dry-out procedures before energizing transformers previously exposed to moisture will result in serious personal injury or death and property damage.

Accessories



DANGER

HAZARD OF ELECTRIC SHOCK, EXPLOSION OR ARC FLASH

When installing transformers (regardless of the location) the installing contractor is responsible for the proper installation in accordance with the attached instructions and all applicable codes and standards (including Seismic). Failure to do so will result in serious personal injury or death and property damage.

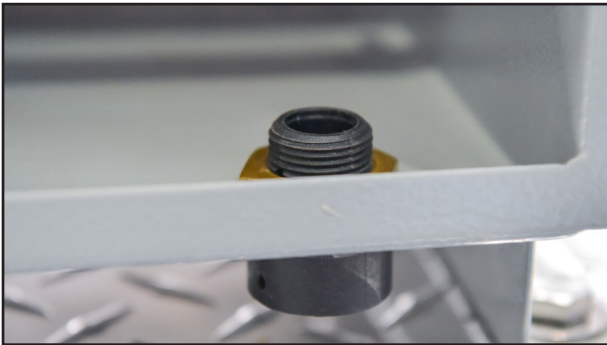
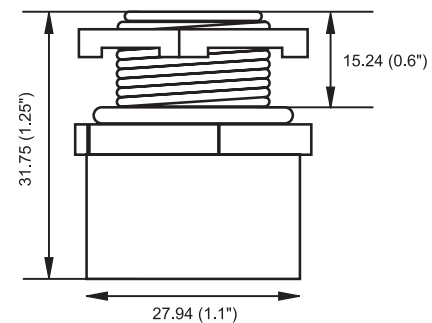


Figure 1.

Encapsulated transformers are available with a number of accessories to facilitate installation. Consult your local distributor for the purchase of any of the items accessories that are stocked in inventory. Some frequently used accessories include:

1) Breather drain plugs are strongly recommended for type 4/4X enclosures when there is temperature variations (i.e. night/day operations) and when condensation may be present.

When breather drain is mounted at the bottom of enclosure, this unique design provides effective drainage of moisture due to condensation from within enclosure without compromising type 4/4X integrity.



***Please ensure the drain plug is installed as per Fig. 1.

Ensure the drain holes are air cleaned from any obstruction before insalling.

2) Connectors (Lugs)

Connectors for the installation of dry-type transformers are readily available. These connectors are suitable for use with either copper or aluminum cables.

Connectors should be sized, installed and connected to cables in accordance with your local electrical code requirements using the best practices to ensure safe and reliable operation. Cable surfaces should be properly cleaned and electrical compound should be used for all connections.

Selecting Connectors

- a) Determine the primary current for the required transformer from the Appendix A.
- b) Similarly, determine the secondary current rating for the transformer from Appendix A.

APPENDIX A**AMPACITY RATINGS FOR CONNECTIONS**

A. For a three phase transformer

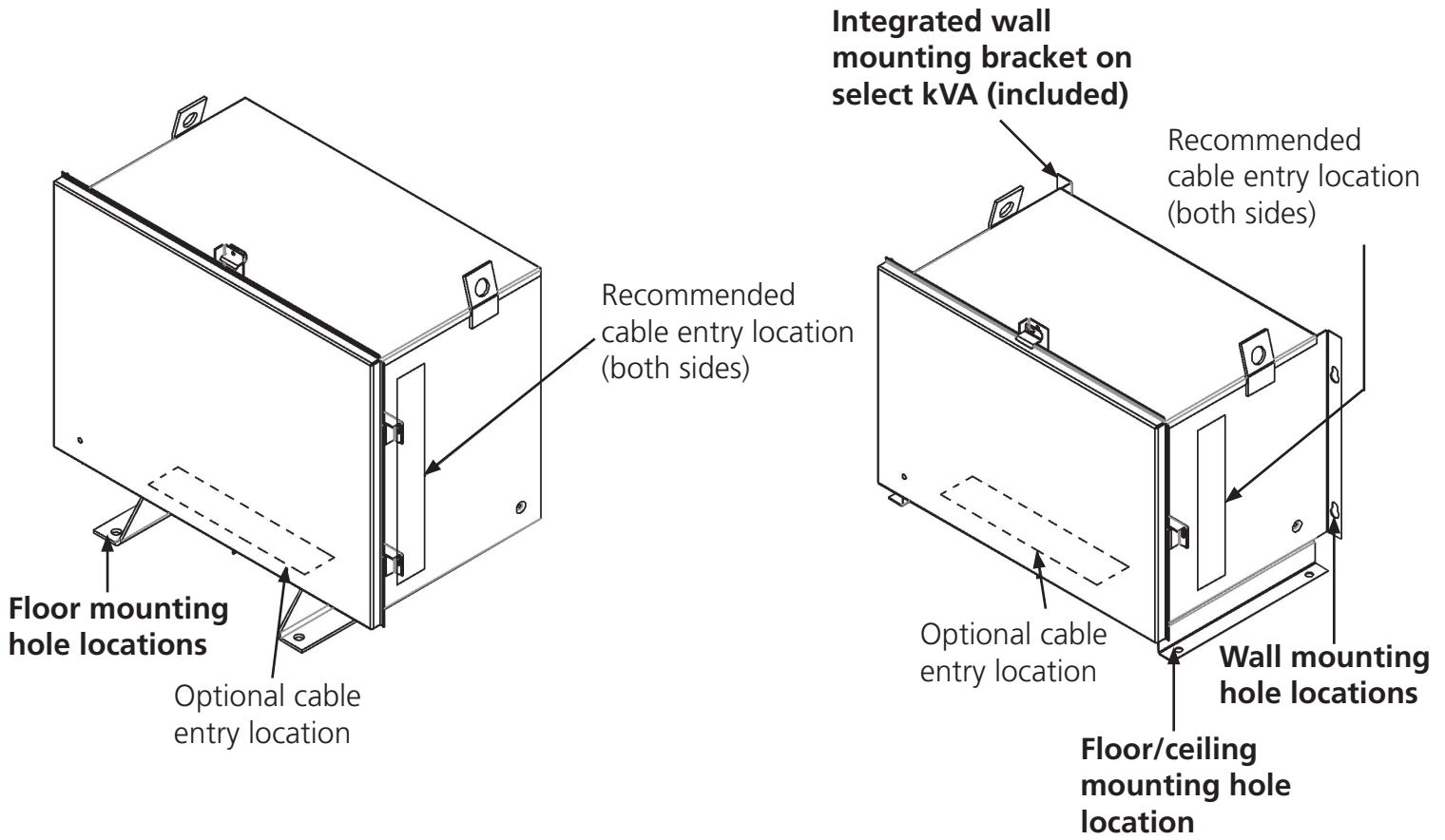
$$\text{Line Amperes} = \frac{\text{Volt Amperes}}{1.732 \times \text{Line Volts}}$$

**Full Load Current Table
Three Phase Transformer**

| kVA | Current in Amperes | | | |
|-------|--------------------|------|------|------|
| | 208V | 240V | 480V | 600V |
| 3 | 8.33 | 7.22 | 3.61 | 2.89 |
| 6 | 16.7 | 14.4 | 7.22 | 5.77 |
| 9 | 25.0 | 21.7 | 10.8 | 8.66 |
| 15 | 41.6 | 36.1 | 18.0 | 14.4 |
| 30 | 83.3 | 72.2 | 36.1 | 28.9 |
| 45 | 125 | 108 | 54.1 | 43.3 |
| 75 | 208 | 180 | 90.2 | 72.2 |
| 100 | 278 | 241 | 120 | 96.2 |
| 112.5 | 312 | 271 | 135 | 108 |
| 150 | 416 | 361 | 180 | 144 |

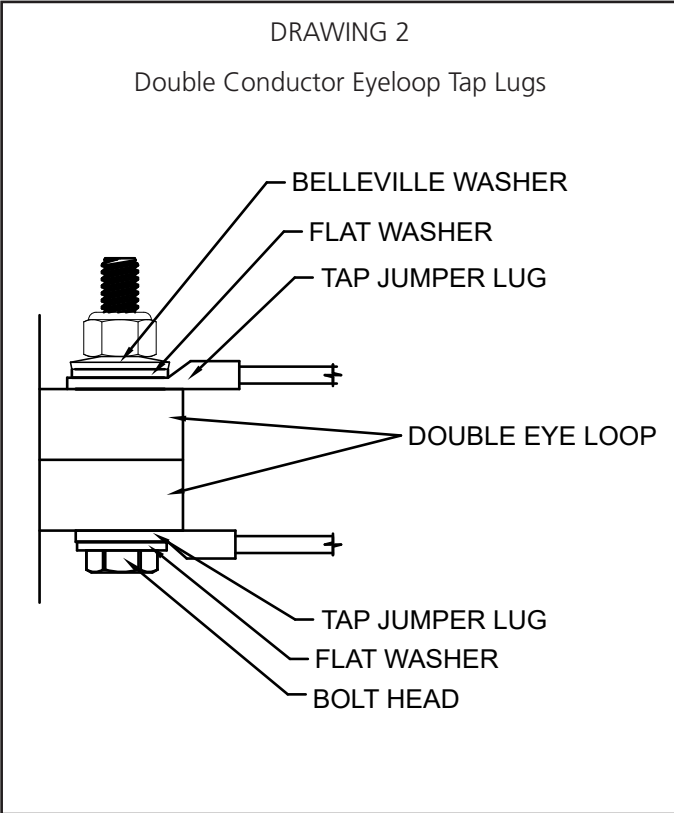
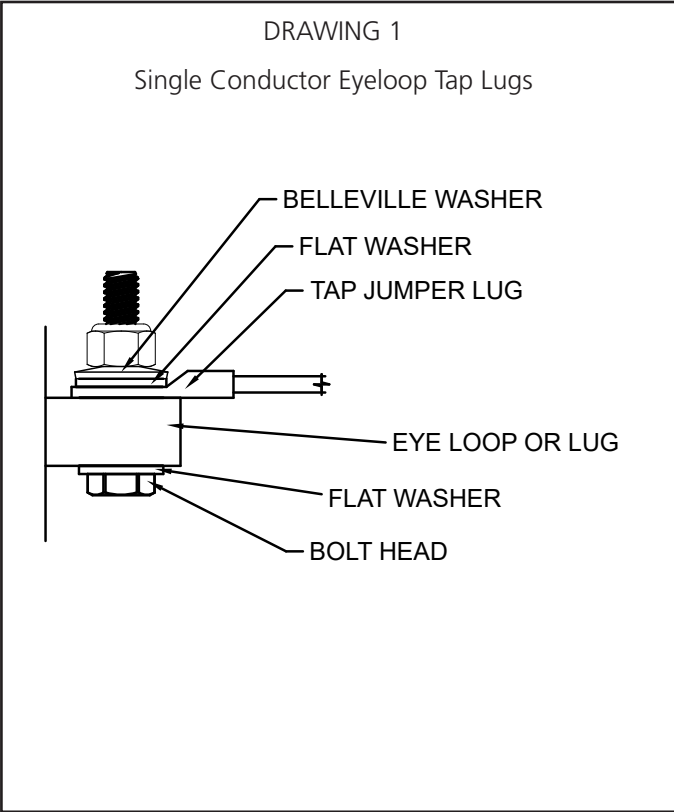
APPENDIX B

LOCATION OF WALL MOUNTING BRACKETS FOR DQT SERIES TYPE 4 ENCLOSURES



APPENDIX C

Jumper Assembly Drawings



APPENDIX D
Recommended Cable Entry Locations

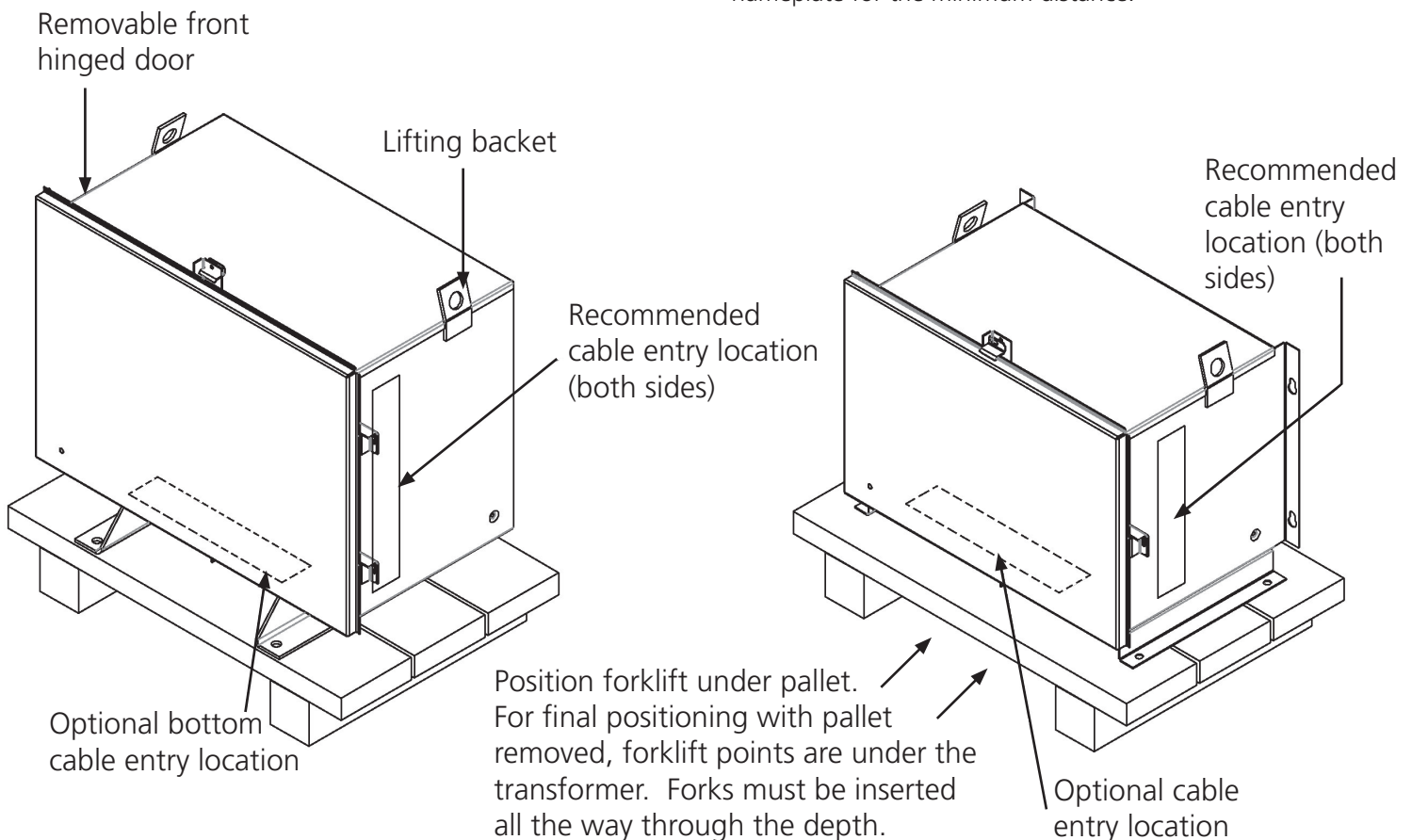
FIGURE 1

Typical Type 4, DQT Non-ventilated Enclosure Assembly for Three Phase.

Notes:

1. Handling - units are designed to be raised by a fork lift from underneath the pallet. Final positioning of the unit with the pallet removed can be via a fork lift under the transformer with the forks between the channels.
2. Shipping - units are shipped on pallets which are to be removed at installation.
3. Installation - This transformer can be installed indoor or outdoor providing a degree of protection against falling rain, sleet and external ice formation.
4. All encapsulated transformers should be located away from any wall or any other obstruction, please refer to the nameplate for the minimum distance.

Before drilling holes, please ensure proper clearance is allowed to the resin for both conduit and conduit nut.



Installation, fonctionnement et entretien

Pour des transformateurs encapsulés triphasés intérieurs/extérieurs utilisant des boîtiers de type DQT.

Ce guide donne des recommandations concernant l'installation, le fonctionnement et l'entretien de transformateurs triphasés encapsulés à basse tension. Il est important de comprendre que ces consignes abrégées doivent être suivies en conformité avec toutes les normes locales et nationales et doivent être vérifiées dans ce contexte.

| | Page |
|------------------------------------|------|
| Avertissement | 18 |
| Consignes de sécurité | 19 |
| Généralités | 20 |
| Manutention | 20 |
| Réception et inspection | 20 |
| Entreposage | 21 |
| Installation | 21 |
| Ventilation | 22 |
| Accessibilité | 22 |
| Niveaux de bruit du transformateur | 22 |
| Branchement des câbles | 23 |
| Mise à la terre | 24 |
| Modification du transformateur | 24 |
| Avant la mise sous tension | 25 |
| Fonctionnement | 25 |
| Entretien | 26 |
| Séchage des transformateurs | 27 |
| Accessoires | 28 |



Les images utilisées dans ce guide ne sont qu'une représentation et peuvent varier du produit réel.

Exclusion de responsabilité

Les méthodes recommandées dans ce manuel concernent les applications générales et sont données sans responsabilité en cas d'erreur ou d'omission. Les données techniques sont sujettes à modification à tout moment et sans préavis et les corrections nécessaires seront incluses dans les éditions suivantes.

Toute exigence particulière doit être précédée d'une vérification auprès du fabricant ou de son représentant.

*Remarque : Ce guide contient des explications en trois langues (anglais, français, espagnol)

N° de document : **DIM16**
Date de parution : Octobre 2017

Ce guide donne des recommandations concernant l'installation, le fonctionnement et l'entretien de transformateurs à sec encapsulés à basse tension utilisant des boîtiers de type DQT. Il est important de comprendre que ces consignes abrégées doivent être suivies en conformité avec les normes et codes locaux relatifs à ce type de travail et doivent être vérifiées dans ce contexte.

Les méthodes recommandées dans ce guide concernent des applications générales. Toute utilisation particulière doit faire l'objet d'une vérification auprès du fabricant du transformateur ou de son représentant.

Il est également recommandé que les travaux d'installation soient régis par toutes les normes et réglementations des codes nationaux, régionaux et locaux applicables, ainsi que par ANSI/IEEE C57.94. Il s'agit de la méthode IEEE recommandée pour l'installation, l'application, le fonctionnement et l'entretien des transformateurs secs d'usage général. Tous les travaux doivent être réalisés conformément à la norme NFPA 70E concernant la sécurité en matière d'électricité au travail et à la norme CSA Z462, concernant la sécurité en matière d'électricité au travail. Assurez-vous de toujours utiliser un équipement de protection individuelle (EPI) approprié.

Ce manuel contient des avertissements qui doivent être respectés afin d'assurer la sécurité des personnes et d'éviter les dommages matériels. Lisez attentivement ces instructions et examinez le matériel pour vous familiariser avec l'appareil avant de tenter de l'installer, de le faire fonctionner, de l'entretenir ou de le réparer. Les avis concernant la sécurité des personnes sont mis en évidence dans le manuel par un symbole de sécurité, les avertissements concernant uniquement les dommages matériels n'ont pas de symbole de sécurité. Les avis ci-dessous sont classés en fonction du degré de danger. Si plus d'un degré de danger est présent, l'avertissement représentant le degré de danger le plus élevé sera utilisé.

| | |
|--|---|
| | DANGER |
| | DANGER indique une situation extrêmement dangereuse qui, si elle n'est pas évitée, entraînera la mort ou des blessures graves et/ou des dommages matériels importants. |
| | AVERTISSEMENT |
| | AVERTISSEMENT indique une situation potentiellement dangereuse qui, si elle n'est pas évitée, peut entraîner la mort, des blessures graves et/ou des dommages matériels importants. |
| | ATTENTION |
| | ATTENTION indique une situation potentiellement dangereuse qui, si elle n'est pas évitée, peut entraîner des blessures mineures ou modérées et/ou des dommages matériels. |

Remarques importantes :

Le matériel électrique doit être installé, utilisé, entretenu et réparé par du personnel qualifié. Le fabricant n'assume aucune responsabilité pour les conséquences découlant de l'utilisation de ce matériel.

Consignes de sécurité

Veillez vérifier le niveau de résine avant de percer le trou et placez le conduit correctement afin qu'il ne soit pas en contact avec la résine.



DANGER

RISQUE DE CHOC ÉLECTRIQUE, D'EXPLOSION OU D'ARC ÉLECTRIQUE

Consultez la plaque signalétique pour les valeurs nominales et les tensions.

Cet équipement ne doit être installé et réparé que par du personnel qualifié.

Respectez toutes les exigences des normes NFPA 70E et CSA Z462 en matière de pratiques de travail sécuritaire et équipement de protection individuelle (EPI).

Éteignez l'alimentation de cet équipement avant de travailler sur ou dans l'équipement.

Utilisez toujours un dispositif détecteur de tension électrique correctement calibré pour vous assurer que le courant est coupé.

Remettez en place tous les appareils, les portes et les couvercles avant de mettre cet équipement sous tension.

Le non-respect des instructions entraînera des blessures graves, voire mortelles.

Emplacements dangereux de classe 1, division 2.

Exigences d'installation

Si cette unité est conçue pour des zones dangereuses de classe 1, division 2, groupes A, B, C et D, consultez les remarques ci-dessous :

- (1) **L'alimentation ainsi que le câblage d'entrée et de sortie (I/O) doivent être conformes avec la classe 1, division 2 selon l'article 501-10 (b) du Code national de l'électricité.**
- (2) **AVERTISSEMENT - RISQUE D'EXPLOSION - NE PAS DÉBRANCHER L'ÉQUIPEMENT LORSQUE LE CIRCUIT EST SOUS TENSION OU SI LA ZONE EST EXEMPTÉ DE MATÉRIEL INFLAMMABLE.**
- (3) **AVERTISSEMENT - RISQUE D'EXPLOSION - LA SUBSTITUTION DE TOUT ÉLÉMENT PEUT ENTRAVER LES CARACTÉRISTIQUES DE LA CLASSE I, DIVISION 2.**

1. Ne levez pas et ne déplacez pas un transformateur sans disposer de l'équipement et du personnel qualifié appropriés. Assurez-vous que le transformateur n'est levé qu'à l'aide des accessoires fournis. Utilisez toujours tous les accessoires de levage fournis par le fabricant. Il est recommandé de faire rouler et glisser les transformateurs équipés à l'origine d'un sabot.
2. Ne déchargez pas le transformateur tant que l'inspection complète n'a pas été effectuée. Si des dommages sont identifiés, le transformateur ne doit pas être mis sous tension et le fabricant du transformateur doit être contacté immédiatement.
3. N'utilisez les bornes que pour les branchements électriques. Les bornes de connexion du transformateur ne sont pas conçues pour supporter le poids d'un câble d'alimentation ou de charge.
4. Les branchements doivent respecter le schéma de la plaque signalétique ou les diagrammes de connexion et les codes et normes locaux applicables.
5. Vérifiez que la source d'alimentation (y compris les commandes rétroalimentées et la charge potentielle du condensateur) est coupée et que tous les enroulements sont mis à la terre avant de commencer tout travail sur le transformateur ou à l'intérieur du boîtier.
6. Vérifiez que toutes les liaisons à la terre, les bornes de lignes et les prises sélectionnées sont complètes et bien serrées avant de mettre le transformateur sous tension.
7. Ne tentez pas de changer des prises (primaires ou secondaires), alors que le transformateur est sous tension.
8. N'altérez pas les panneaux de commande, les alarmes, les verrouillages, ni les circuits de commande, le cas échéant.
9. Ne réglez pas et ne retirez pas les accessoires ou les plaques de recouvrement lorsque le transformateur est sous tension.
10. Aucun câble d'alimentation ne doit entrer en contact avec une pièce sous tension, sauf la borne qui est prévue à cet effet. Veillez à conserver les dégagements minimaux prévus en tout temps.
11. Cet équipement ne doit être installé et réparé que par du personnel qualifié.
12. Respectez toutes les exigences des normes NFPA 70E et CSA Z462 en matière de pratiques de travail sécuritaire et équipement de protection individuelle (EPI).
13. Remettez en place tous les appareils, les portes et les couvercles avant de mettre cet équipement sous tension.
14. Les modifications de cet équipement ne sont pas autorisées. En plus d'annuler la garantie, de telles actions peuvent entraîner des situations dangereuses dont la personne effectuant les modifications sera responsable.

Généralités



DANGER

RISQUE DE CHOC ÉLECTRIQUE, D'EXPLOSION OU D'ARC ÉLECTRIQUE

Consultez la plaque signalétique pour les valeurs nominales et les tensions.

Cet équipement ne doit être installé et réparé que par du personnel qualifié.

Respectez toutes les exigences des normes NFPA 70E et CSA Z462 en matière de pratiques de travail sécuritaire et équipement de protection individuelle (EPI).

Éteignez l'alimentation de cet équipement avant de travailler sur ou dans l'équipement.

Utilisez toujours un dispositif détecteur de tension électrique correctement calibré pour vous assurer que le courant est coupé.

Remettez en place tous les appareils, les portes et les couvercles avant de mettre cet équipement sous tension.

Le non-respect de ces exigences peut entraîner des blessures graves, voire mortelles.

Les transformateurs triphasés encapsulés sont fabriqués pour fournir un rendement optimal pendant une durée de vie utile sans interruption. Il est recommandé de porter une attention particulière aux consignes suivantes afin d'obtenir un fonctionnement fiable et sûr.

L'installation, le fonctionnement et l'entretien des transformateurs doivent être effectués par du personnel autorisé formé et qualifié pour l'installation, la réparation et l'entretien des équipements électriques.

Comme pour tout appareil électrique, les transformateurs doivent être installés en conformité avec les codes nationaux et locaux de l'électricité. Veuillez également vous reporter à la norme ANSI/IEEE C57-94 pour des recommandations portant sur l'installation, l'utilisation, le fonctionnement et l'entretien de transformateurs triphasés encapsulés.

Manutention



AVERTISSEMENT

Le non-respect des procédures de levage peut entraîner des blessures graves, voire mortelles, ainsi que des dommages matériels.

Les transformateurs sont posés sur palettes pouvant être soulevées à l'aide d'un chariot élévateur à fourche ou levées par les anneaux de levage fournis.

L'équipement de levage doit être adapté à la taille de chaque transformateur. Il est recommandé d'utiliser des barres d'écartement pour les besoins de sécurité et de protection du transformateur.

En aucun cas, un transformateur ne doit être soulevé ou déplacé en utilisant d'autres points d'ancrage que ceux indiqués sur l'appareil. Veuillez consulter la page 17 (supports de levage). Évitez de soumettre le transformateur à des chocs, des secousses et d'autres manipulations brusques qui pourraient l'endommager.

Assurez-vous que les transformateurs sont transportés en position verticale; évitez de les incliner et de les faire basculer.

Réception et inspection

Immédiatement après avoir reçu le transformateur, une inspection doit être effectuée pour vérifier la présence de dommages éventuels survenus durant le transport ainsi que l'exactitude des documents d'expédition.

L'emballage sera examiné afin d'y détecter des bris, de voir si les boîtiers sont bosselés ou abîmés et si des pièces inscrites sur le bordereau de marchandises sont manquantes.

Si des dommages sont constatés, une réclamation doit immédiatement être effectuée avec le transporteur et une deuxième copie des renseignements concernant la commande et les problèmes survenus sera communiquée immédiatement au bureau des ventes locales des fabricants de transformateurs.

Si l'examen de l'unité a lieu à l'extérieur, vous devez prendre des précautions afin de le protéger contre les facteurs susceptibles de causer davantage de dommages.

Entreposage



AVERTISSEMENT

Le non-respect des exigences en matière d'entreposage peut entraîner des blessures graves, voire mortelles, ainsi que des dommages matériels.
- Détérioration du produit

Les transformateurs qui ne sont pas immédiatement installés et mis sous tension doivent être entreposés dans un endroit propre et sec, à l'abri des contaminants atmosphériques environnants. Les transformateurs doivent être entreposés de manière à ne présenter aucun type de danger. Empiler des transformateurs les uns sur les autres sans support approprié n'est pas autorisé.

Il est recommandé d'entreposer les transformateurs dans un immeuble chauffé avec une température uniforme et une circulation d'air adéquate afin d'éviter toute condensation avec la pellicule en plastique toujours installée pour un entreposage à long terme. S'il n'est pas possible de les entreposer dans un bâtiment chauffé, les transformateurs doivent être correctement protégés des contaminants et de l'humidité, de préférence dans un bâtiment non chauffé. Nous recommandons d'installer un chauffage électrique à l'intérieur du transformateur afin de maintenir une température uniforme supérieure à la température ambiante et d'éviter la condensation. Dans des cas extrêmes, ils peuvent être entreposés à des températures de -40 °C (-40 °F) ou plus. Un soin particulier doit être apporté pour empêcher la formation de condensation à l'intérieur des transformateurs entreposés. Les unités devant être mises sous tension après avoir été entreposées à basse température ou après une longue période doivent être chauffées à -25 °C (-13 °F) avec de l'air chaud ou une chaleur provenant d'un appareil de chauffage par rayonnement. Une fois que l'appareil a atteint cette température et qu'il est exempt de condensation et de tout autre contaminant résultant de l'entreposage, il peut être mis sous tension.

Installation



DANGER

RISQUE DE CHOC ÉLECTRIQUE, D'EXPLOSION OU D'ARC ÉLECTRIQUE

Le non-respect de ces instructions d'installation et des codes locaux et nationaux applicables lors de l'installation et du raccordement d'un transformateur entraînera la mort ou des blessures graves et/ou des dommages matériels importants.

Avant de percer des trous, veuillez vous assurer qu'il y a un dégagement approprié dans la résine pour le conduit et son écrou.

Transformateurs intérieurs/extérieurs avec boîtiers de type 4, 4X ou 12.

Tous les transformateurs triphasés encapsulés sont dotés d'un boîtier standard de type 4, qui répond également aux exigences du type 12. Les boîtiers de type 4 procurent une protection bien plus grande contre une variété d'éléments, notamment la poussière, la saleté, la neige, l'humidité, la pluie, etc. Les appareils peuvent être installés à l'intérieur ou à l'extérieur, le cas échéant.

Pour les installations à l'extérieur, les codes en vigueur qui s'appliquent à l'installation doivent être respectés, notamment ceux concernant l'installation des câbles et le matériel convenant à une utilisation extérieure. Avant d'effectuer une installation à l'extérieur, assurez-vous que le site est suffisamment drainé pour empêcher l'eau souterraine de pénétrer dans les transformateurs.

Il est fortement recommandé d'installer des couplages étanches à l'eau pour tous les trous percés dans le boîtier. Lors du perçage de trous, notez le niveau de résine.

Il est possible d'installer les transformateurs triphasés encapsulés debout contre un mur, un plancher, un poteau, une poutre ou un autre endroit pouvant supporter leur poids avec les accessoires adéquats fixés.

Installation (suite)

Ventilation



AVERTISSEMENT

Le non-respect des procédures de ventilation peut entraîner des blessures graves, voire mortelles, ainsi que des dommages matériels.

Les transformateurs encapsulés doivent être installés dans un endroit où ils pourront être refroidis par la circulation de l'air. La température ambiante moyenne doit être de 30 °C (86 °F) et ne jamais excéder 40 °C (104 °F), sauf si les modèles à faible échauffement sont sélectionnés.

Une bonne ventilation est indispensable pour que les transformateurs atteignent la capacité en kVA indiquée sur leur plaque signalétique. Plusieurs transformateurs encapsulés doivent être installés à au moins 5 cm (2 po) l'un de l'autre sur les unités jusqu'à 10 kVA et à au moins 10 cm (4 po) l'un de l'autre pour des unités de plus de 10 kVA, loin des murs ou d'autres obstacles, pour permettre la libre circulation de l'air frais.

Accessibilité



ATTENTION

Le non-respect des procédures d'accessibilité peut entraîner des blessures et des dommages matériels.

Il est prévu par les normes du Code national de l'électricité que les transformateurs soient accessibles pour l'inspection et que l'emplacement de l'installation soit choisi dans cette optique.

Ils ne doivent donc pas être installés dans des locaux renfermant des objets entreposés risquant de faire obstacle à la circulation de l'air et aux inspections. Les passages et les endroits dans lesquels des personnes risquent d'être exposées à des pièces sous tension au cours de l'inspection doivent également être évités.

Une protection adéquate doit être assurée en toutes circonstances.

Niveaux de bruit du transformateur

Les transformateurs sont des appareils alimentés électriquement et de par leur nature, en fonctionnement normal, ils émettent un certain niveau de son.

Les transformateurs doivent respecter les normes NEMA en matière de niveau sonore. Ces normes varient de 40 à 67 dB, ce qui peut constituer une source de gêne pour les personnes qui travaillent ou résident à proximité.

Il faut donc choisir avec soin leur emplacement d'installation et tout particulièrement dans les zones sensibles comme les hôpitaux, les écoles, les établissements médicaux et les bureaux.

Les lignes directrices suivantes pourront se révéler utiles pour déterminer le bon emplacement d'installation :

- Les unités doivent être installées loin des angles et des murs ou plafonds réfléchissants.
- Des branchements doivent être envisagés pour établir les connexions entrantes/sortantes.
- Selon l'environnement, pour réduire le bruit, des matériaux absorbants acoustiquement pourraient être installés sur les murs et les plafonds se trouvant autour du transformateur.
- L'unité doit se trouver aussi loin que possible des zones où les niveaux sonores pourraient être considérés comme indésirables.

Branchement des câbles



DANGER

RISQUE DE CHOC ÉLECTRIQUE, D'EXPLOSION OU D'ARC ÉLECTRIQUE

Le non-respect de ces instructions peut entraîner la mort, des blessures graves ou des dommages matériels.

Ne remplacez jamais des branchements ni des prises, sauf si le transformateur est débranché et que toutes les bobines sont mises à la terre.



AVERTISSEMENT

Le non-respect des procédures de levage peut entraîner des blessures graves, voire mortelles, ainsi que des dommages matériels.

La grandeur du câble de branchement dépend du courant nominal des enroulements primaires et secondaires du transformateur et peut être sélectionnée à partir de l'appendice A (page 14). Utilisez des câbles supportant une température d'au moins 90 °C (194 °F) et calibrés pour courant produisant une température de 75 °C (167 °F). Utilisez avec des prises AL9CU-AL-CU. Les prises de connecteur électrique, si fournies, doivent être utilisées uniquement avec des câbles ou des fils SIW, de classe B ou de classe C.

Des alvéoles perforées ne sont pas fournies pour les transformateurs triphasés encapsulés. Utilisez le connecteur de câble approprié pour l'utilisation. Veuillez vous reporter à l'appendice D pour l'emplacement du passage de câble. Si un transformateur doit être déplacé pour effectuer les connexions de câble nécessaires, les exigences de sécurité et les procédures de levage correspondantes doivent être suivies.

Exigences du branchement des câbles

Il est recommandé de passer les câbles sur le côté.

- ➔ Pour les boîtiers standard non ventilés DQT de type 4, l'entrée par le dessous est autorisée uniquement dans les zones définies à l'appendice D.
- ➔ Les connecteurs décalés peuvent être utilisés pour faciliter la connexion des câbles aux bornes, afin de réduire l'espace de flexion des câbles.

Des prises de connexion de câble plaquées cuivre peuvent être utilisées pour brancher les bornes des transformateurs. Les bornes doivent être nettoyées et il est recommandé d'utiliser de la pâte à joints pour application électrique sur tous les branchements.

Veuillez à bien isoler les fils inutilisés avec des capuchons de connexion et du ruban isolant, le cas échéant.

Veuillez vous reporter à la plaque signalétique du transformateur pour connaître les combinaisons de tension primaire et/ou secondaire ainsi que l'emplacement des prises primaires, le cas échéant.

Les cavaliers des transformateurs livrés d'usine seront positionnés sur la tension nominale ou 100 %. Les prises seront recouvertes d'un matériel d'imprégnation et d'un isolant.

Pour changer les prises, il est nécessaire de retirer délicatement les contaminants et les isolants de la surface des prises supérieures et inférieures (anneau ou prises) en ponçant les prises sur le métal.

La surface de la prise doit être propre et enduite d'une pâte à joints sur tous les contacts non plaqués entre le cavalier et la prise. Connectez les cavaliers aux prises comme indiqué à l'appendice D (schéma 1 pour les anneaux et les prises ou schéma 2 pour les prises du conducteur double).

**DANGER****RISQUE DE CHOC ÉLECTRIQUE, D'EXPLOSION OU D'ARC ÉLECTRIQUE**

Après l'installation des câbles et des connecteurs, le dégagement minimal prescrit par les codes et les normes applicables pour la classe de tension respective doit être maintenu pour toutes les pièces sous tension.

Ne pas installer les câbles et les connecteurs conformément aux codes et aux normes applicables et aux directives ci-jointes entraînera des blessures graves, voire mortelles, ainsi que des dommages matériels.

Le tableau suivant constitue un guide d'espacement minimum à une altitude maximale de 1 000 m (3 300 pi). Pour les altitudes supérieures à 1 000 m (3 300 pi), consultez le fabricant.

| Catégorie de tension du transformateur | Dégagement minimal (en mm) | Dégagement minimal (en po) |
|--|----------------------------|----------------------------|
| 1,2 kV | 25 | 1 |
| 2,5 kV | 51 | 2 |
| 5,0 kV | 102 | 4 |
| 8,7 kV | 135 | 5,3 |
| 15 kV | 203 | 8 |
| 18 kV | 254 | 10 |
| 25 kV | 305 | 12 |
| 34,5 kV | 406 | 16 |

Remarque : Certaines pièces du transformateur ont besoin de moins d'espace de dégagement que ce qui est indiqué ci-dessus. Pour ces exceptions, respectez les consignes données dans les schémas ou la procédure d'installation de l'appareil.

Mise à la terre**DANGER****RISQUE DE CHOC ÉLECTRIQUE, D'EXPLOSION OU D'ARC ÉLECTRIQUE**

Ne pas effectuer une mise à la terre correctement, conformément aux codes et aux normes applicables, entraînera des blessures graves, voire mortelles.

Tous les noyaux d'induit et toutes les bobines sont solidement reliés à la prise de terre et accessibles à l'intérieur du boîtier afin que toutes les pièces conductrices en métal soient sur le même potentiel.

Pour assurer la sécurité du fonctionnement, le transformateur doit être correctement mis à la terre avant d'être mis sous tension. Un emplacement principal de mise à la terre est identifié pour la plupart des transformateurs. Si l'emplacement principal de mise de la terre n'est pas fourni, il incombe à l'installateur d'installer et de vérifier les connexions de mise à la terre nécessaires.

La mise à la terre doit être effectuée en conformité avec les normes et les codes locaux et nationaux.

Modification du transformateur**DANGER****RISQUE DE CHOC ÉLECTRIQUE, D'EXPLOSION OU D'ARC ÉLECTRIQUE**

Une mauvaise application ou une mauvaise utilisation de cet équipement peut entraîner des blessures graves, voire mortelles, ainsi que des dommages matériels.

Le client ou son agent est responsable de l'application de cet équipement. Une mauvaise application ou une mauvaise utilisation peut entraîner des blessures graves, voire mortelles et/ou des dommages matériels.

Toute modification apportée à cet équipement doit être conforme à tous les codes et normes applicables, et certaines modifications peuvent compromettre les conditions de la garantie. Il incombe aux personnes effectuant les modifications de l'équipement de : (i) s'assurer que l'équipement modifié respecte les exigences de fonctionnement et de sécurité applicables; et, (ii) confirmer que les modifications proposées n'annuleront pas la garantie du fabricant.

Avant la mise sous tension



DANGER

RISQUE DE CHOC ÉLECTRIQUE, D'EXPLOSION OU D'ARC ÉLECTRIQUE

Ne pas installer le transformateur conformément aux codes et aux normes applicables et aux instructions de ce livret entraînera des blessures graves, voire mortelles, ainsi que des dommages matériels.

Pour un fonctionnement adéquat et sans danger du transformateur, veuillez vérifier ce qui suit :

- a) Vérifiez les liaisons du couple de disjoncteurs. Consultez le diagramme vectoriel de la plaque signalétique.
- b) La charge de l'enroulement delta secondaire comportant une prise centrale de 120 volts ne doit pas dépasser le courant nominal normal de l'enroulement. La prise centrale est conçue pour recevoir un maximum de 5 % des kVA indiqués.
- c) Le boîtier doit être mis à la terre à l'aide d'un conducteur de taille adaptée selon les normes et codes locaux.
- d) Dans la mesure du possible, la charge totale de toutes les phases doit être répartie pour une performance optimale des enroulements du transformateur. La charge en kVA de chaque phase ne doit pas dépasser 1/3 de la valeur nominale en kVA du transformateur.
- e) Le dégagement et l'étanchéité appropriés de toutes les connexions électriques doivent être vérifiés.
- f) En respectant les précautions de sécurité appropriées, après avoir mis l'unité sous tension et avant de connecter des charges, veuillez mesurer et vérifier que la tension de sortie correspond aux spécifications de la plaque signalétique.
- g) Si vous pensez que le transformateur a été exposé à l'humidité pendant le transport ou le stockage, vérifiez s'il est sec avant de le mettre sous tension. Cela peut être fait en effectuant un test d'induction de résistance (test avec un mégohmmètre). Si vous suspectez une exposition à l'humidité, consultez l'usine.

Fonctionnement



DANGER

RISQUE DE CHOC ÉLECTRIQUE, D'EXPLOSION OU D'ARC ÉLECTRIQUE

Ne pas faire fonctionner le transformateur conformément aux codes et aux normes en vigueur et aux instructions ci-jointes entraînera des blessures graves, voire mortelles.

Lorsqu'il fonctionne en pleine charge, un transformateur à sec encapsulé peut s'avérer très chaud au toucher, particulièrement la partie supérieure de l'appareil.

Les normes permettent que les boîtiers de ce type d'appareil puissent atteindre jusqu'à 65 °C (149 °F) de plus que la température ambiante.

Les transformateurs triphasés encapsulés sont conçus pour fonctionner en permanence selon la pleine capacité de kVA indiquée sur la plaque signalétique, dans des conditions de fonctionnement normales.

Les normes C57.96 de l'ANSI donnent des directives pour le chargement des transformateurs dans différentes conditions de fonctionnement, notamment :

- ➔ Des températures ambiantes différentes des températures ambiantes requises pour le fonctionnement du transformateur. ANSI recommande une température ambiante maximale de 40 °C.



AVERTISSEMENT

Si les causes profondes de la surchauffe du transformateur ne sont pas identifiées et corrigées, cela peut entraîner la mort ou des blessures, des dégâts matériels ou une réduction considérable de la durée de vie du transformateur.

- La surcharge brève en fonction du temps et de la température, ainsi que la perte de vie utile du transformateur.
- La surcharge entraînant une réduction de la durée de vie du transformateur.

Si le transformateur subit une augmentation de la température, les facteurs suivants doivent être immédiatement examinés et corrigés :

- Démarrage de charge brusque ou autre type de charge par choc. Un type de transformateur spécifique est requis pour ces types d'applications.
- Surexcitation de l'unité à la suite d'une alimentation excessive en tension ou en courant.
- Températures ambiantes supérieures à la normale.
- Surcharge supérieure aux directives C57.96 de l'ANSI.
- Distorsions harmoniques du voltage de la ligne d'alimentation et des courants.

Les transformateurs triphasés encapsulés peuvent être arrêtés et entreposés pour des périodes prolongées sans subir de détérioration. Vous devez soigneusement nettoyer et sécher les appareils avant de les mettre sous tension, comme indiqué préalablement. Un emballage approprié et des mesures visant à prévenir l'humidité pendant l'entreposage sont essentiels. Effectuez un test d'induction de résistance (mégohmmètre) avant de réactiver l'unité.

Entretien



DANGER

RISQUE DE CHOC ÉLECTRIQUE, D'EXPLOSION OU D'ARC ÉLECTRIQUE

Le fait de ne pas mettre hors tension, isoler et mettre à la terre les bornes du transformateur et ne pas vérifier la mise hors tension des bornes avant d'effectuer des travaux sur le transformateur entraînera des blessures graves, voire mortelles.

Insérer des objets dans les ouvertures de ventilation lorsque le transformateur est sous tension peut entraîner des blessures graves voire mortelles.

Dans des conditions de fonctionnement et des environnements normaux, les transformateurs triphasés encapsulés ne nécessitent pas d'entretien et d'inspection. Ceci est essentiel si l'unité est installée dans des conditions environnementales difficiles (par exemple à l'extérieur, dans des environnements fortement pollués et poussiéreux, etc.).

L'entretien interne doit être effectué sur un transformateur éteint, isolé, et dont les bornes sont mises à la terre.

L'entretien comprend généralement le nettoyage interne, le serrage des barrettes et des connexions boulonnées au niveau de couple prescrit, l'entretien et l'inspection des appareils auxiliaires, ainsi qu'un balayage infrarouge ou une image thermique du transformateur.

Toutes les connexions boulonnées aux bornes doivent être en bon état. Nous recommandons, dans le cadre de l'entretien annuel ou à des intervalles réguliers plus rapprochés, de vérifier les couples de serrage, ainsi que les signes de corrosion, d'oxydation, de cambreur et de mauvais raccordement électrique. Si de mauvaises connexions sont identifiées, elles doivent être corrigées immédiatement.

**FORCE DE SERRAGE RECOMMANDÉE DES
CONNEXIONS ÉLECTRIQUES BOULONNÉES**

| TAILLE DU BOULON | ACIER AU CARBONE | LAITON | ACIER INOX |
|---------------------|----------------------|----------------------|----------------------|
| | CATÉGORIE 5 | ALLIAGE CU270 | B8 OU B8M |
| | pi-lb [N.m] ± 5 % | pi-lb [N.m] ± 5 % | pi-lb [N.m] ± 5 % |
| 1/4-20 | 7 [10] | 3,8 [5] | 5 [6] |
| 3/8-16 | 20 [27] | 14 [18] | 15 [20] |
| 1/2-13 | 60 [70] | 33 [45] | 37 [50] |
| 8 mm | 20 [23] | 12 [14] | 12 [14] |
| 12 mm | 60 [70] | 33 [45] | 37 [50] |

Il est nécessaire de vérifier également la liaison à la terre pour garantir que le branchement est de faible impédance.

L'ajustement et l'étanchéité de la porte doivent être vérifiés.

***Remarque : Les valeurs de couple ci-dessus sont valables pour les boulons secs non lubrifiés.**



AVERTISSEMENT

Le non-respect des exigences en matière d'entreposage peut entraîner des blessures graves, voire mortelles, ainsi que des dommages matériels.

Séchage des transformateurs



DANGER

RISQUE DE CHOC ÉLECTRIQUE, D'EXPLOSION OU D'ARC ÉLECTRIQUE

Ne pas suivre les procédures de séchage ci-jointes avant de mettre sous tension les transformateurs précédemment exposés à l'humidité peut entraîner des blessures graves, voire mortelles, ainsi que des dommages matériels.

Il peut être difficile de sécher correctement des transformateurs ayant été soumis à une inondation. La résistance à l'isolation, de l'enroulement primaire à la bobine, de l'enroulement secondaire à la bobine et de l'enroulement primaire à l'enroulement secondaire, doit être supérieure à 1 kV mégohms. Communiquez avec le fabricant du transformateur pour connaître la marche à suivre appropriée.

Accessoires



DANGER

RISQUE DE CHOC ÉLECTRIQUE, D'EXPLOSION OU D'ARC ÉLECTRIQUE

Lors de l'installation de transformateurs (quel que soit l'emplacement), l'entrepreneur chargé de l'installation est responsable de la bonne installation, conformément aux instructions ci-jointes et aux codes et aux normes applicables (y compris sismique). Le non-respect de cette consigne entraînera des blessures graves, voire mortelles, ainsi que des dommages matériels.

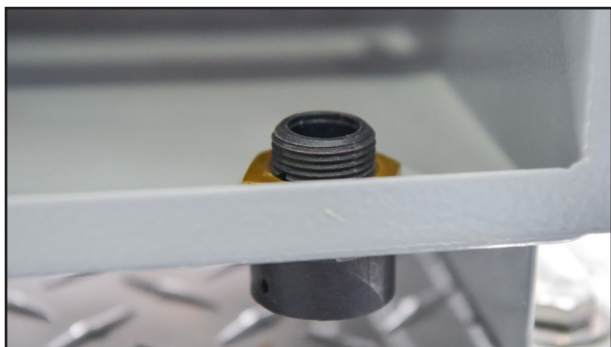
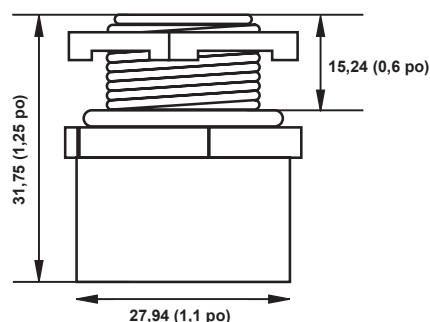


Figure 1.

Les transformateurs encapsulés sont offerts avec plusieurs accessoires afin de faciliter l'installation. Veuillez consulter votre détaillant ou distributeur pour l'achat d'accessoire pouvant être entreposés. Certains accessoires fréquemment utilisés incluent :

1) Des bouchons de mise à l'air libre sont fortement recommandés pour les boîtiers de type 4/4X lorsque des variations de température peuvent se produire (fonctionnement de jours et de nuits) et en cas de formation de condensation.

Lorsque le bouchon de mise à l'air libre est installé sous boîtier, cette conception unique permet d'évacuer de façon efficace l'humidité créée par la condensation de l'intérieur du boîtier sans compromettre l'intégrité du type 4/4X.



***Veuillez vous assurer que le bouchon de mise à l'air libre est installé conformément à la Fig. 1.

Assurez-vous que les orifices de drainage ne sont pas obstrués avant l'installation.

2) Connecteurs (prises)

Les connecteurs pour l'installation de transformateurs à sec sont facilement utilisables. Ces connecteurs conviennent aux câbles en aluminium et en cuivre.

La taille, l'installation et la connexion des connecteurs doivent respecter les exigences du code de l'électricité en appliquant les meilleures pratiques afin d'assurer un fonctionnement fiable et sûr. Les surfaces des câbles doivent être nettoyées et vous devez utiliser une pâte à joints pour application électrique sur toutes les connexions.

Choix des connecteurs

- Déterminez le courant primaire pour le transformateur requis de l'appendice A.
- De même, déterminez le courant secondaire pour le transformateur de l'appendice A.

APPENDICE A**COURANT ADMISSIBLE POUR BRANCHEMENTS**

A. Pour un transformateur triphasé

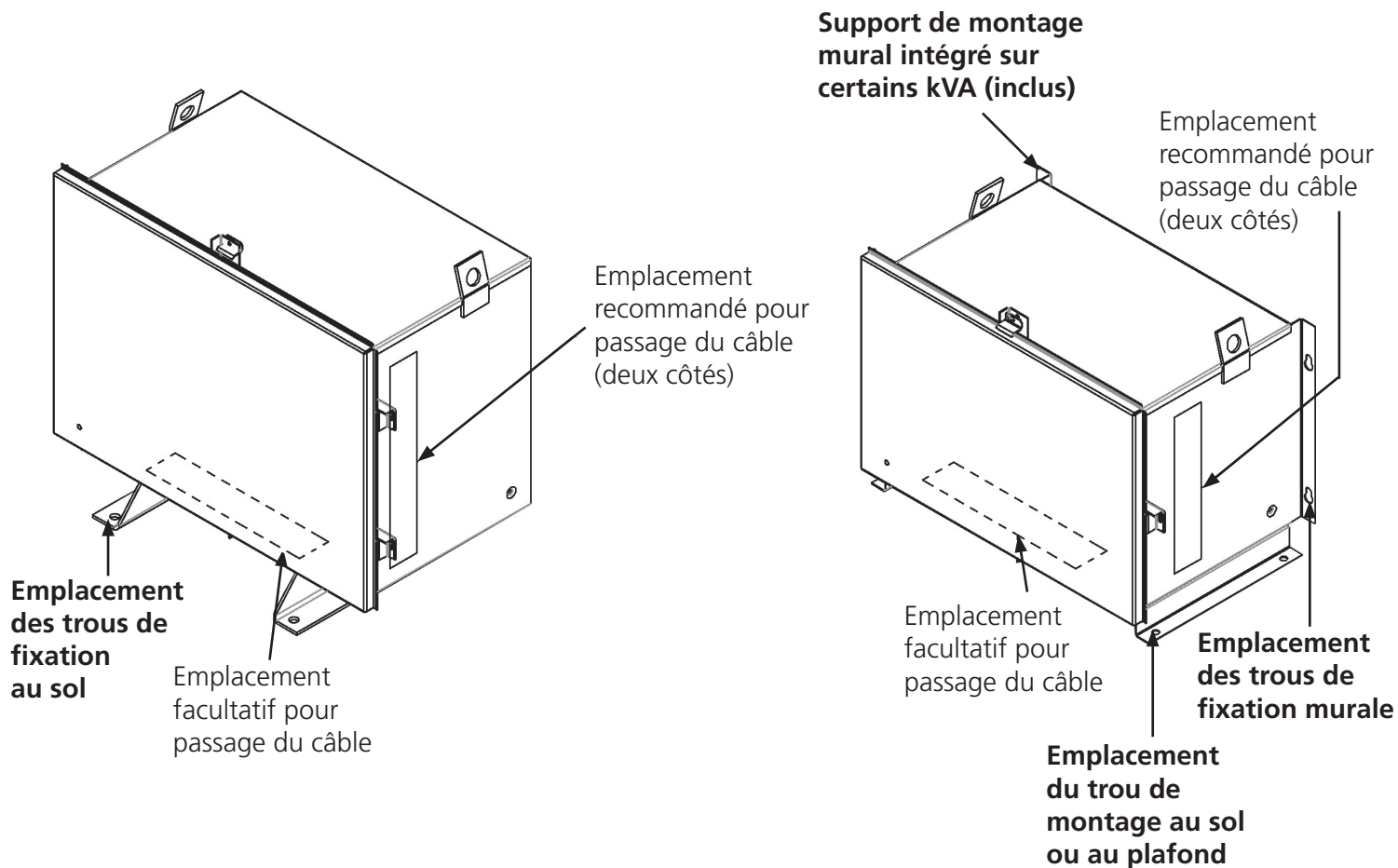
$$\text{Rangée ampères} = \frac{\text{Voltampères}}{1,732 \times \text{rangée ampères}}$$

**Tableau de courant pleine charge
Transformateur triphasé**

| Puissance | Courant en ampères | | | |
|-----------|--------------------|-------|-------|-------|
| | 208 V | 240 V | 480 V | 600 V |
| 3 | 8,33 | 7,22 | 3,61 | 2,89 |
| 6 | 16,7 | 14,4 | 7,22 | 5,77 |
| 9 | 25,0 | 21,7 | 10,8 | 8,66 |
| 15 | 41,6 | 36,1 | 18,0 | 14,4 |
| 30 | 83,3 | 72,2 | 36,1 | 28,9 |
| 45 | 125 | 108 | 54,1 | 43,3 |
| 75 | 208 | 180 | 90,2 | 72,2 |
| 100 | 278 | 241 | 120 | 96,2 |
| 112,5 | 312 | 271 | 135 | 108 |
| 150 | 416 | 361 | 180 | 144 |

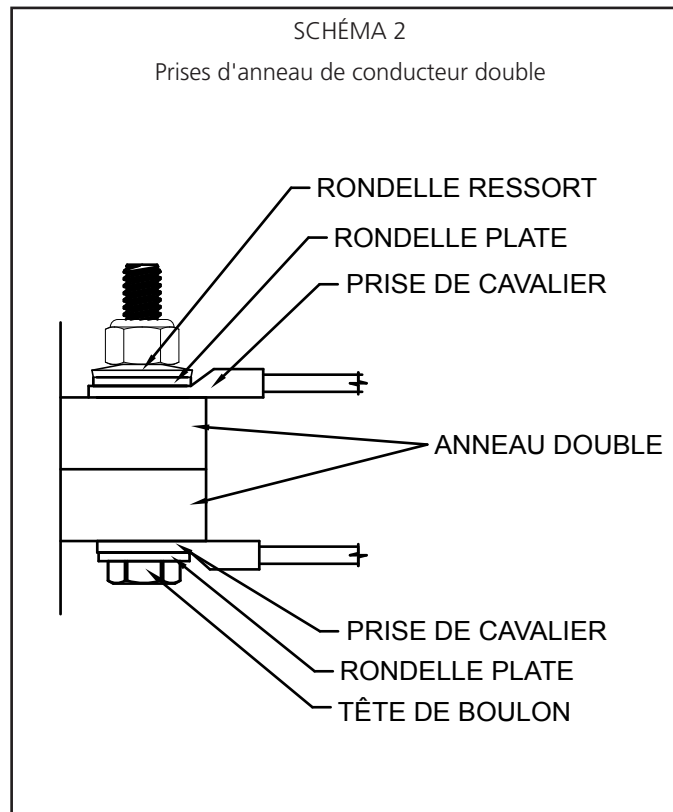
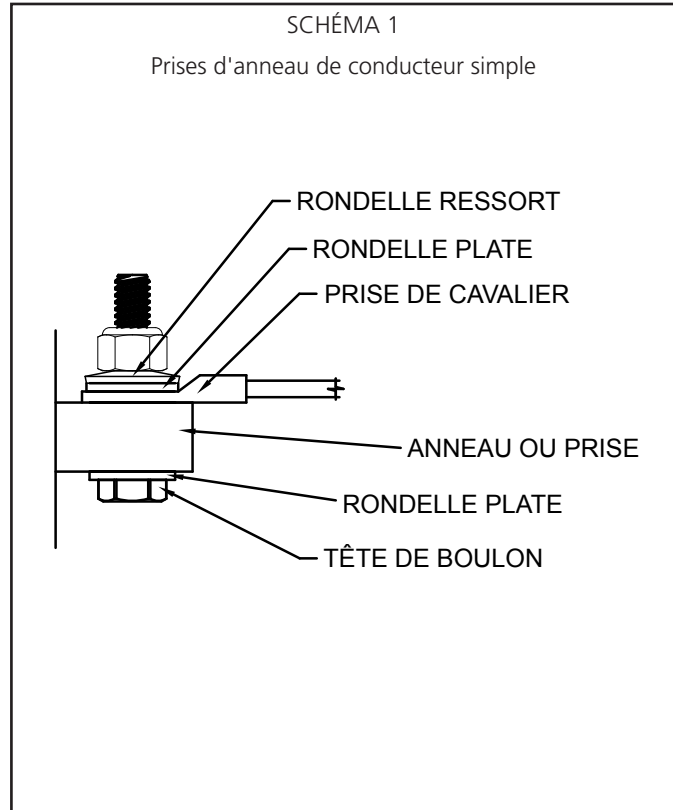
APPENDICE B

EMPLACEMENT DES SUPPORTS DE MONTAGE MURAL POUR BOÎTIER DE TYPE 4 DE LA SÉRIE DQT



APPENDICE C

Schéma des cavaliers



APPENDICE D

Emplacement recommandé pour passage du câble

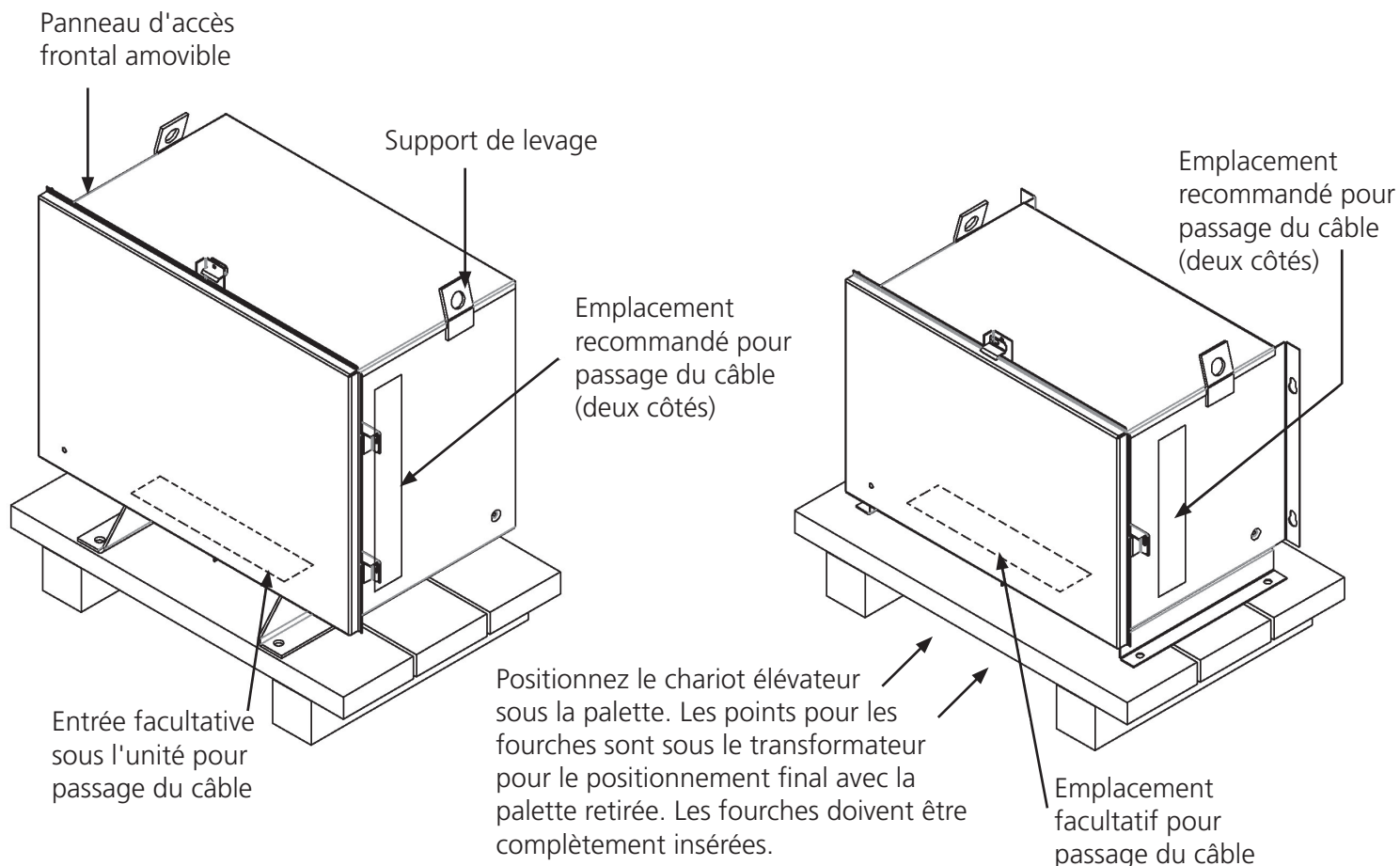
FIGURE 1

Boîtier DQT standard non ventilé de type 4 pour unité triphasée.

Remarques :

1. Manutention - Les appareils sont construits de manière à pouvoir être soulevés par la palette au moyen d'un chariot à fourche. Le positionnement final de l'unité sans les palettes peut se faire avec le chariot à fourche dont les fourches sont glissées entre les canaux du transformateur.
2. Expédition - Les appareils sont transportés sur palettes qui seront retirées au moment de l'installation.
3. Installation - Ce transformateur peut être installé à l'intérieur ou à l'extérieur, offrant un degré de protection contre la pluie, la neige et la formation de glace à l'extérieur de l'unité.
4. Les transformateurs encapsulés doivent être éloignés des murs et de toutes autres obstructions (consultez la plaque signalétique pour le dégagement minimal).

Avant de percer des trous, veuillez vous assurer qu'il y a un dégagement approprié dans la résine pour le conduit et son écrou.



Guía de Instalación, Operación y Mantenimiento

Para transformadores encapsulados trifásicos al aire libre/en interiores que utilizan carcasas tipo DQT.

Este manual contiene recomendaciones para la instalación, operación y mantenimiento de transformadores de bajo voltaje encapsulados trifásicos. Se hace hincapié en que estas instrucciones abreviadas deben utilizarse en conjunto con todos los códigos locales y nacionales, y deben ser referenciados en consecuencia.



Las imágenes utilizadas en esta guía solo son una representación y pueden variar en comparación con el producto real.

Descargo de responsabilidad

Las prácticas recomendadas en este manual corresponden a aplicaciones generales y se suministran sin responsabilidad alguna por errores u omisiones. Los datos técnicos están sujetos a cambios en cualquier momento y sin previo aviso y las correcciones necesarias se incluirán en las siguientes ediciones.

Los requisitos especiales deben ser referenciados al fabricante o a su representante.

Página

| | |
|------------------------------------|----|
| Advertencias | 34 |
| Instrucciones de seguridad | 35 |
| Información general | 36 |
| Manipulación | 36 |
| Recepción e inspección | 36 |
| Almacenamiento | 37 |
| Instalación | 37 |
| Ventilación | 38 |
| Accesibilidad | 38 |
| Niveles de ruido del transformador | 38 |
| Conexiones de cable | 39 |
| Puesta a tierra | 40 |
| Modificación del transformador | 40 |
| Antes de la energización | 41 |
| Funcionamiento | 41 |
| Mantenimiento | 42 |
| Secado de los transformadores | 43 |
| Accesorios | 44 |

Esta guía contiene recomendaciones para la instalación, operación y mantenimiento de transformadores encapsulados de tipo seco que usan carcasas tipo DQT. Se hace hincapié en que estas instrucciones abreviadas deben utilizarse en conjunto con todas las normas y los códigos locales que cubren dicho trabajo, y deben ser referenciados en consecuencia.

Estas prácticas recomendadas son para aplicaciones generales y cualquier requerimiento especial debe referenciarse al fabricante del transformador o su representante.

Además, se recomienda que el trabajo de instalación se rija por todos los códigos, estándares y regulaciones nacionales, estatales y locales aplicables, y ANSI/IEEE C57.94. Esta es la práctica IEEE recomendada para la instalación, aplicación, operación y mantenimiento de transformadores de tipo seco de alimentación y distribución de propósito general. Todo el trabajo debe realizarse de acuerdo con el Estándar para seguridad eléctrica en el lugar de trabajo 70E de la NFPA y CSA Z462, Seguridad eléctrica en el lugar de trabajo. Siempre use el equipo de protección personal (PPE) apropiado.

Este manual contiene advertencias a considerar a fin de garantizar la seguridad personal y evitar daños materiales. Lea atentamente estas instrucciones y observe el equipo para familiarizarse con el dispositivo antes de instalarlo, manipularlo, revisarlo o realizar su mantenimiento. Los avisos sobre la seguridad personal están resaltados en el manual con un símbolo de alerta de seguridad. Los avisos relativos solo a daños materiales no llevan dicho símbolo. Estos avisos que se muestran a continuación se ordenan de acuerdo con el grado de peligro. Si hay más de un grado de peligro presente, se utilizará la advertencia que represente el grado de peligro más alto.

| | |
|---|--|
|  | <h2>PELIGRO</h2> |
| | <p>PELIGRO: indica una situación de peligro inminente que, de no evitarse, provocará la muerte o lesiones graves, y/o daños materiales considerables.</p> |
|  | <h2>ADVERTENCIA</h2> |
| | <p>ADVERTENCIA: indica una situación potencialmente peligrosa que, de no evitarse, puede provocar la muerte o lesiones graves, y/o daños materiales considerables.</p> |
|  | <h2>PRECAUCIÓN</h2> |
| | <p>PRECAUCIÓN: indica una situación potencialmente peligrosa que, de no evitarse, puede provocar lesiones leves o moderadas, y/o daños materiales.</p> |

Nota importante:

La instalación, manipulación, reparación y mantenimiento del equipo eléctrico debe estar a cargo solo de personal calificado. El fabricante no asume responsabilidad alguna de las consecuencias que deriven de la utilización de este material.

Precauciones de seguridad

Verifique el nivel de resina antes de perforar un orificio para conductos y ubique el conducto como corresponde de manera tal que no entre en contacto con la resina.



PELIGRO

PELIGRO DE DESCARGA ELÉCTRICA, EXPLOSIÓN O ARCO ELÉCTRICO

Consulte la placa de identificación para ver las clasificaciones y los voltajes.

La instalación y el mantenimiento de este equipo deberán ser realizados solamente por personal de equipos eléctricos calificado.

Siga todos los requisitos de la norma NFPA 70E y CSA Z462 sobre la práctica de trabajo seguro y el equipo de protección personal (PPE).

Apague el suministro de alimentación de este equipo antes de realizar cualquier trabajo en o dentro del equipo.

Utilice siempre un dispositivo de detección de tensión adecuado para confirmar que la alimentación esté apagada.

Coloque todos los dispositivos, las puertas y las cubiertas antes de energizar este equipo.

El incumplimiento de estas instrucciones provocará lesiones graves o la muerte.

Ubicación peligrosa Clase 1, División 2

Requisitos de instalación

Si esta unidad está diseñada para utilizarse en ubicaciones peligrosas Clase 1, División 2, Grupos A, B, C y D, entonces consulte también las notas que se encuentran a continuación:

- (1) **La electricidad, el cableado de entrada y salida (E/S) debe cumplir con los métodos de cableado Clase 1, División 2 conforme con el Artículo 501-10 (b) del Código Nacional de Electricidad.**
- (2) **ADVERTENCIA - PELIGRO DE EXPLOSIÓN - NO DESCONECTE EL EQUIPO MIENTRAS EL CIRCUITO ESTÉ CONECTADO O A MENOS QUE SEPA QUE EL ÁREA ESTÁ LIBRE DE CONCENTRACIONES INFLAMABLES.**
- (3) **ADVERTENCIA - PELIGRO DE EXPLOSIÓN - LA SUSTITUCIÓN DE CUALQUIER COMPONENTE PUEDE ALTERAR LA IDONEIDAD PARA CLASE I, DIVISIÓN 2.**

1. No levante ni mueva el transformador sin contar con el equipo adecuado y personal capacitado apropiadamente. Asegúrese de que el transformador solo se levante conforme a las disposiciones provistas. Siempre use las disposiciones de elevación proporcionadas por el fabricante. El rodamiento y deslizamiento se recomienda solo en los transformadores con una base de deslizamiento solicitada con antelación.
2. No descargue el transformador hasta que haya sido completamente inspeccionado en busca de daños. Si se identifican daños, el transformador no debe ser energizado y se debe contactar al fabricante del transformador de inmediato.
3. Utilice únicamente terminales para las conexiones eléctricas. Los terminales del transformador no están diseñados para soportar el peso del cable de guía o de carga.
4. Las conexiones deben hacerse solo de acuerdo con el diagrama de la placa de identificación o los dibujos de conexión y los códigos y estándares locales aplicables.
5. Asegúrese de que toda la energía (incluido el control de alimentación trasera y la carga posible del condensador) esté desconectada y que todos los bobinados estén conectados a tierra antes de realizar cualquier trabajo en el transformador o en el interior de la carcasa. (energía cero)
6. Asegúrese de que todas las conexiones a tierra, los terminales de línea y las conexiones de toma seleccionadas estén completos y ajustados antes de energizar el transformador.
7. No intente cambiar las conexiones o tomas primarias o secundarias mientras el transformador está energizado.
8. No manipule los paneles de control, las alarmas, los bloqueos internos o los circuitos de control, si vinieran provistos.
9. No ajuste o retire ningún accesorio o placa de cubierta mientras el transformador está energizado.
10. Ningún cable debe entrar en contacto con cualquier parte viva, excepto con la terminal correspondiente. Asegúrese de que se mantengan las distancias mínimas en todo momento.
11. La instalación y el mantenimiento de este equipo deberán ser realizados solamente por personal de equipos eléctricos calificado.
12. Siga todos los requisitos de la norma NFPA 70E y CSA Z462 sobre la práctica de trabajo seguro y el equipo de protección personal (PPE).
13. Coloque todos los dispositivos, las puertas y las cubiertas antes de energizar este equipo.
14. Está prohibido realizar modificaciones de ningún tipo en el equipo. Aparte de anular la garantía, dichas acciones pueden dar pie a situaciones peligrosas por las que las personas que realizan las modificaciones serán las únicas responsables.

Información general



PELIGRO

PELIGRO DE DESCARGA ELÉCTRICA, EXPLOSIÓN O ARCO ELÉCTRICO

Consulte la placa de identificación para ver las clasificaciones y los voltajes.

La instalación y el mantenimiento de este equipo deberán ser realizados solamente por personal de equipos eléctricos calificado.

Siga todos los requisitos de la norma NFPA 70E y CSA Z462 sobre la práctica de trabajo seguro y el equipo de protección personal (PPE).

Apague el suministro de alimentación de este equipo antes de realizar cualquier trabajo en o dentro del equipo.

Utilice siempre un dispositivo de detección de tensión adecuado para confirmar que la alimentación esté apagada. Coloque todos los dispositivos, las puertas y las cubiertas antes de energizar este equipo.

El incumplimiento de estas instrucciones provocará la muerte o lesiones graves.

Los transformadores encapsulados trifásicos están fabricados para proporcionar un óptimo rendimiento durante toda una vida de servicio ininterrumpido. Se recomienda prestar minuciosa atención a estas instrucciones para un funcionamiento seguro y confiable.

La instalación, el funcionamiento y el mantenimiento de los transformadores deben ser realizados por personal autorizado, capacitado y calificado para la instalación, la reparación y el mantenimiento de equipo eléctrico.

Al igual que cualquier otro equipo eléctrico, los transformadores deben instalarse de acuerdo con los requisitos de todos los códigos eléctricos nacionales y locales aplicables. También puede consultarse ANSI/IEEE C57-94 para conocer las recomendaciones de instalación, aplicación, funcionamiento y mantenimiento de los transformadores encapsulados trifásicos.

Manipulación



ADVERTENCIA

El incumplimiento de los procedimientos de levantamiento puede provocar la muerte, lesiones graves o daños materiales.

Los transformadores están en tarimas y pueden levantarse con un montacargas o pueden levantarse con los ganchos proporcionados.

Se debería usar el equipo de levantamiento apropiado en función del tamaño de cada transformador. Para fines de seguridad y para proteger el transformador, se recomienda utilizar barras separadoras.

No debe intentarse levantar ni mover un transformador desde ningún punto de la unidad aparte de los indicados. Consulte la página 17 (soportes de levantamiento). Evite someter al transformador a impactos, sacudidas y otros tipos de manipulación tosca que puedan dañarlo.

Asegúrese de transportar los transformadores en posición vertical. Evite inclinarlos.

Recepción e inspección

Inmediatamente después de recibir el transformador, debe revisarse en busca de daños de tránsito y debe verificarse su estado correcto comparando con los documentos de envío.

La unidad debe examinarse en busca de rupturas en su empaque, abolladuras y daños en la estructura o partes de la lista del empaque que falten.

Si se observa algún daño, se debe presentar una reclamación inmediatamente con el transportista y una segunda copia con toda la información pertinente relativa a la orden y las circunstancias se debe comunicar inmediatamente a la oficina local de ventas de los fabricantes de transformadores.

Si se lleva a cabo el examen de la unidad al aire libre, se debe tener precaución para proteger la unidad contra factores que puedan representar un mayor peligro.

Almacenamiento



ADVERTENCIA

El incumplimiento de los requisitos de almacenamiento puede provocar la muerte o lesiones graves y daños materiales.

- Deterioro del producto

Los transformadores que no sean instalados y alimentados de inmediato deben guardarse en un ambiente seco y limpio lejos de cualquier contaminante ambiental transportado por el aire. Los transformadores deben guardarse de tal manera que no representen ningún tipo de peligro. Está prohibido apilar los transformadores uno sobre otro sin una estantería apropiada.

Se recomienda guardar los transformadores en un edificio calefaccionado, con temperatura uniforme y circulación de aire adecuada para evitar la condensación con la envoltura de plástico protectora aún instalada para un almacenamiento a largo plazo. Si no es posible almacenar los transformadores en un edificio calefaccionado, estos deben protegerse debidamente contra los contaminantes y la humedad, preferentemente en un edificio no calefaccionado. Recomendamos instalar calefacción eléctrica dentro del transformador para mantener una temperatura uniforme superior a la temperatura ambiente y para evitar la condensación. En casos extremos, estos pueden almacenarse a temperaturas de no menos de -40 °C (-40 °F). Se debe prestar especial atención para evitar la formación de condensación dentro de los transformadores almacenados. Las unidades que deben energizarse después de almacenarse a una temperatura baja o después de almacenarse durante un período prolongado deben calentarse a -25 °C (-13 °F) con aire caliente o calor radiante. Una vez que la unidad alcance esta temperatura y esté libre de condensación y cualquier otro contaminante derivado del proceso de almacenamiento, es seguro energizarla.

Instalación



PELIGRO

PELIGRO DE DESCARGA ELÉCTRICA, EXPLOSIÓN O ARCO ELÉCTRICO

El incumplimiento de estas Instrucciones de instalación y todos los códigos locales y nacionales vigentes al momento de instalar y conectar un transformador provocará la muerte o lesiones graves y daños materiales importantes.

Antes de perforar los orificios, asegúrese de dejar el espacio correspondiente para la resina tanto para los conductos como para la tuerca de los conductos.

Transformadores de interior/externo con carcasas tipo 4, 4X o 12.

Todos los transformadores encapsulados trifásicos se suministran con una carcasa estándar tipo 4 que también cumple con los requisitos de la tipo 12. La carcasa tipo 4 ofrece mucho más protección contra diversos elementos tales como polvo, suciedad, nieve, humedad, lluvia, etc. Las unidades pueden instalarse en el interior o al aire libre, según corresponda.

Para cualquier ubicación al aire libre, deben aplicarse los códigos vigentes y apropiados, incluida la instalación del cable y el uso de hardware adecuado para el servicio al aire libre. Antes de realizar la instalación al aire libre, verifique que haya un drenaje adecuado en el lugar para evitar que ingrese agua subterránea a los transformadores.

Se recomienda firmemente instalar acopladores herméticos en los orificios o cualquier otro agujero perforado en la carcasa. Cuando perforo los orificios, observe el nivel de resina.

Los transformadores encapsulados trifásicos deben instalarse en posición vertical en las paredes, los pisos, los postes, las vigas u otros lugares capaces de soportar el peso con los accesorios correspondientes conectados.

Instalación (*continuación*)

Ventilación



ADVERTENCIA

El incumplimiento de las instrucciones de ventilación puede provocar la muerte, lesiones graves o daños materiales.

Los transformadores encapsulados deben instalarse en un área donde puedan enfriarse mediante la circulación de aire libre con una temperatura ambiente promedio de 30 °C (86 °F) y esta no debe exceder los 40 °C (104 °F) en cualquier momento a menos que se seleccionen diseños con aumento de temperatura baja.

La ventilación adecuada es fundamental para que los transformadores cumplan con su capacidad de kVA indicada en la placa. Cuando sea necesario colocar múltiples transformadores encapsulados, estos deberían ubicarse como mínimo a 2 pulgadas de distancia en unidades de hasta 10 kVA y como mínimo a 4 pulgadas de distancia en unidades de más de 10 kVA, lejos de cualquier otra obstrucción para permitir la circulación libre y limpia de aire.

Accesibilidad



PRECAUCIÓN

El incumplimiento de las instrucciones de accesibilidad puede provocar lesiones o daños materiales.

Los estándares NEC requieren que se pueda acceder a los transformadores para inspeccionarlos y que se ubiquen como corresponda.

Sin embargo, los transformadores no deben estar ubicados en áreas donde sea probable que los objetos almacenados interfieran con la convección de aire natural o con la capacidad de inspeccionarlos. También deben evitarse las vías de paso u otras áreas donde las personas puedan estar expuestas a partes conectadas durante la inspección.

Se debe proporcionar la protección adecuada bajo cualquier circunstancia.

Niveles de ruido del transformador

Los transformadores son aparatos con energía eléctrica y, por su naturaleza, durante el funcionamiento emiten un cierto nivel de sonido.

Los transformadores deben cumplir con los estándares NEMA para el máximo nivel de sonido permitido. Estas normas de nivel de sonido varían de 40 a 67 dB y como tal puede ser molesto si se encuentra cerca del lugar de trabajo o la vivienda de las personas.

Por lo tanto, se debe tener cuidado al seleccionar los lugares para ubicar los transformadores particularmente en áreas sensibles como hospitales, salones de clase, consultorios médicos u oficinas.

Las siguientes pautas pueden ser de ayuda:

- Las unidades deben montarse lejos de las esquinas o paredes o techos reflectantes.
- Debe considerarse un conducto flexible para realizar las conexiones entrantes/salientes.
- Según el ambiente, debe considerarse utilizar materiales de absorción acústica para reducir el ruido en las paredes y los techos alrededor de la unidad.
- La ubicación de la unidad debe estar lo más lejos posible de áreas donde los niveles de sonido puedan considerarse indeseables.

Conexiones de cable



PELIGRO

PELIGRO DE DESCARGA ELÉCTRICA, EXPLOSIÓN O ARCO ELÉCTRICO

El incumplimiento de estas instrucciones provocará la muerte, lesiones graves o daños materiales.

Nunca intente cambiar las conexiones o tomas a menos que el transformador no esté energizado y todos los devanados estén conectados a tierra.



ADVERTENCIA

El incumplimiento de los procedimientos de levantamiento puede provocar la muerte, lesiones graves o daños materiales.

El tamaño del cable de conexión está determinado por la clasificación de corriente de línea de los devanados primarios y secundarios de los transformadores y puede seleccionarse en la información del apéndice A (página 14). Utilice un cable clasificado para al menos 90 °C (194 °F) y con un tamaño basado en 75 °C (167 °F) de ampacidad. Utilice con agarraderas AL9CU-AL-CU. Las agarraderas del conector eléctrico, si vinieran provistas, se deben utilizar solo con cables SIW, de clase B o de clase C o solo con alambres.

Para los transformadores encapsulados trifásicos, no se proporcionan orificios previamente perforados. Use el conector para cable apropiado para la aplicación. Consulte el Apéndice D para ver las ubicaciones de entrada de los cables. Si es necesario reubicar un transformador para realizar las conexiones de cable necesarias, se deben respetar todos los requisitos de seguridad y los procedimientos de levantamiento relacionados.

Requisitos de las conexiones de cable

Se recomienda la entrada lateral de los cables.

- En el caso de las carcasas estándares no ventiladas DQT tipo 4, se permite la entrada inferior solo en las áreas definidas en el Apéndice E.
- Se puede usar conectores acodados que ayudan con las conexiones de cables a las terminales, para reducir el espacio de curva en los cables.

Se pueden utilizar paneles de conexión de cables de cobre enchapado para conectar a las terminales de los transformadores. Las terminales deben limpiarse y se recomienda utilizar compuestos para las juntas eléctricas en todas las conexiones eléctricas.

Asegúrese de aislar todos los cables conductores con conectores Marrette y cintas eléctricas, cuando corresponda.

Consulte la placa del transformador para ver las combinaciones de conexiones de voltaje primarias y secundarias, y las posiciones de toma primarias y secundarias según corresponda.

Los transformadores recibidos de fábrica tendrán cables de toma instalados en la posición de voltaje nominal o de 100 %. Las tomas aún pueden estar recubiertas de material de impregnación y aislamiento.

Para cambiar las tomas, es necesario retirar delicadamente todos los contaminantes y el aislamiento de la superficie de la parte superior e inferior de las tomas (ojo o paneles) lijando los paneles hasta llegar al metal desnudo.

La superficie del cable de toma debe estar limpia y recubierta posteriormente con compuesto eléctrico sobre todos los contactos no enchapados entre el terminal de puente y la toma. Acople los puentes a las tomas según el apéndice D (dibujo 1 para ojos de conductor simple y paneles de toma o dibujo 2 para tomas de ojo del conductor doble).

**PELIGRO****PELIGRO DE DESCARGA ELÉCTRICA, EXPLOSIÓN O ARCO ELÉCTRICO**

Después de la instalación de los cables y los conectores, el espacio mínimo indicado por los códigos y las normas vigentes para la respectiva clase de voltaje debe mantenerse desde las piezas energizadas hasta todas las piezas del estuche.

Si no se instalan los cables y conectores de conformidad con los códigos y las normas vigentes y las pautas adjuntas se producirán lesiones personales o la muerte y daños materiales.

La siguiente tabla puede utilizarse como pauta para los espacios mínimos de altitud que no excedan los 1000 m (3300 pies). Por encima de 1000 m (3300 pies), consulte a la fábrica.

| Clase de voltaje del transformador | Espacio mínimo (mm) | Espacio mínimo (pulg.) |
|------------------------------------|---------------------|------------------------|
| 1.2 KV | 25 | 1 |
| 2.5 KV | 51 | 2 |
| 5.0 KV | 102 | 4 |
| 8.7 KV | 135 | 5.3 |
| 15 KV | 203 | 8 |
| 18 KV | 254 | 10 |
| 25 KV | 305 | 12 |
| 34.5 KV | 406 | 16 |

Nota: "Algunos componentes específicos de un transformador pueden requerir indicaciones de espacios diferentes de los indicados anteriormente. Para estas excepciones, debe cumplir con las instrucciones que se proporcionan en los planos de ensamblaje o en el procedimiento de instalación".

Puesta a tierra**PELIGRO****PELIGRO DE DESCARGA ELÉCTRICA, EXPLOSIÓN O ARCO ELÉCTRICO**

Si el transformador no cuenta con la conexión a tierra apropiada de conformidad con todos los códigos y las normas vigentes, se producirán lesiones personales graves o la muerte.

Todos los conjuntos de núcleo y bobinas están sólidamente puestos a tierra y conectados a la carcasa internamente para asegurar que todas las piezas de metal conductor tengan el mismo potencial.

Para asegurar un funcionamiento seguro, el transformador debe estar correctamente puesto a tierra antes de que sea conectado. La mayoría de los transformadores tienen una ubicación a tierra principal identificada como corresponde. Si no se proporciona una ubicación a tierra principal, es responsabilidad del contratista que instala realizar y verificar las conexiones a tierra necesarias.

Esta puesta a tierra debe guardar conformidad con todos los códigos y estándares eléctricos nacionales y locales.

Modificación del transformador**PELIGRO****PELIGRO DE DESCARGA ELÉCTRICA, EXPLOSIÓN O ARCO ELÉCTRICO**

La aplicación incorrecta o el mal uso de este equipo pueden causar heridas graves o la muerte del personal y daños materiales.

La aplicación de este equipo es responsabilidad del cliente o de su agente. La aplicación incorrecta o el mal uso pueden causar heridas graves o la muerte del personal o daños materiales.

Cualquier modificación a este equipo debe cumplir con todos los códigos y estándares aplicables, y ciertas modificaciones pueden poner el riesgo los términos de la garantía. Es responsabilidad del/los individuo(s) que realice(n) cualquier modificación al equipo (i) asegurar que los requisitos de desempeño y seguridad siguen cumpliendo con las modificaciones realizadas al equipo; y, (ii) confirmar que las modificaciones propuestas no invalidarán la garantía del fabricante.

Antes de la energización



PELIGRO

PELIGRO DE DESCARGA ELÉCTRICA, EXPLOSIÓN O ARCO ELÉCTRICO

Si el transformador no se instala de conformidad con todos los códigos y las normas vigentes y las instrucciones que aparecen en este manual, se producirán lesiones personales graves o la muerte y daños materiales.

Para un funcionamiento seguro y apropiado del transformador, revise y verifique lo siguiente:

- Asegure conexiones correctas de fase. Consulte el diagrama del vector de la placa.
- La carga en un devanado secundario en delta con una toma central de 120 voltios no debe superar la clasificación normal de corriente del devanado. Esta toma central está diseñada para un máximo de 5 % del kVA de la placa.
- El gabinete debe ser puesto a tierra con el conductor de tamaño apropiado según los requisitos de los códigos y estándares locales.
- La carga total entre todas las fases debe equilibrarse lo más que se pueda para un rendimiento óptimo de los devanados de los transformadores. La carga kVA en cada fase no debe superar 1/3 de la clasificación kVA de la placa del transformador.
- Debe verificarse la separación y el ajuste apropiados de todas las conexiones eléctricas.
- Siguiendo las precauciones de seguridad apropiadas, después de energizar y antes de conectar cualquier carga, mida y verifique que el voltaje de salida coincida con las especificaciones de la placa.
- Si existe alguna razón para sospechar que el transformador ha estado expuesto a la humedad durante el tránsito o almacenamiento, debe verificarse si está seco antes de conectarse. Esto puede realizarse mediante una prueba de resistencia al aislamiento (Prueba Megger). Si se sospecha que hubo exposición a la humedad, consulte con la fábrica.

Funcionamiento



PELIGRO

PELIGRO DE DESCARGA ELÉCTRICA, EXPLOSIÓN O ARCO ELÉCTRICO

Si el transformador no se opera de manera apropiada de conformidad con todos los códigos y las normas vigentes y las instrucciones adjuntas, se producirán lesiones personales graves o la muerte.

Bajo condiciones operativas de carga completa, los transformadores encapsulados tipo seco pueden parecer tibios al tacto, particularmente en la cubierta de la unidad.

Los estándares permiten que las temperaturas de la cubierta alcancen los 65 °C (149 °F) sobre el ambiente.

Los transformadores encapsulados trifásicos están diseñados para funcionar de forma continua según la clasificación de kVA completa indicada en su placa bajo condiciones operativas normales.

ANSI C57.96 brinda pautas para cargar transformadores bajo diferentes condiciones operativas que incluyen las siguientes:

- ➔ Temperaturas ambiente que difieren de las temperaturas ambiente requeridas para el funcionamiento del transformador. ANSI recomienda una temperatura ambiente máxima de 40 °C.
- ➔ Sobrecarga de corto tiempo relacionada con el tiempo y la temperatura y la correspondiente pérdida de vida útil del transformador.



ADVERTENCIA

Si no se identifican y corrigen las causas de origen del sobrecalentamiento del transformador se puede producir la muerte o lesiones personales, daños materiales o una reducción importante en la expectativa de vida útil del transformador.

- Sobrecarga que da lugar a una reducción de la expectativa de vida útil del transformador.

Si el transformador es sometido a temperaturas operativas mayores, deben considerarse y corregirse inmediatamente los siguientes factores que contribuyen a ello:

- Cargas de arranque del motor rigurosas u otra carga tipo impacto. Para este tipo de aplicaciones se requiere un tipo específico de transformador.
- Sobreexcitación de la unidad debido a un exceso de voltaje o corriente de la línea de suministro.
- Temperaturas ambiente por encima del estándar.
- Sobrecarga más allá de las pautas ANSI C57.96.
- Distorsiones armónicas del voltaje y corrientes de la línea de suministro.

Los transformadores encapsulados trifásicos pueden apagarse y almacenarse durante períodos prolongados de tiempo sin sufrir ningún deterioro. Se debe ejercer precaución para limpiar y secar las unidades antes de conectarlas a la corriente, como se indicó anteriormente. Es fundamental un empaque adecuado y medidas para prevenir la humedad durante el almacenamiento. Realice la resistencia al aislamiento (Megger) antes de volver a conectarlo.

Mantenimiento



PELIGRO

PELIGRO DE DESCARGA ELÉCTRICA, EXPLOSIÓN O ARCO ELÉCTRICO

Si no desconecta la corriente, aísla ni conecta a tierra los terminales del transformador ni verifica el potencial de tierra en todos los terminales antes de realizar cualquier trabajo en el transformador, se producirán lesiones personales graves o la muerte.

Si inserta cualquier objeto a través de las aberturas de ventilación mientras el transformador está conectado a la corriente, se producirán lesiones personales graves o la muerte.

Bajo condiciones y ambientes de operación normales, los transformadores encapsulados trifásicos requieren un cuidado e inspección periódicos. Esto es fundamental si la unidad está instalada en condiciones ambientales difíciles (por ejemplo, afuera, ambientes con altos niveles de contaminantes y polvo, etc.).

Debe realizarse un mantenimiento interno solo con el transformador desconectado de la corriente, aislado y con todos los terminales puestos a tierra.

El mantenimiento normalmente incluye limpieza interna, ajuste de enlaces y conexiones con perno a niveles de torsión prescritos, servicio e inspección de dispositivos auxiliares y un escaneo infrarrojo o imagen térmica del transformador.

Todas las conexiones con perno en los terminales deben estar en buen estado. Recomendamos que bajo un mantenimiento anual programado o a intervalos regulares más cortos, se revisen las conexiones en busca de valores de torsión apropiados y signos de oxidación, arqueamiento y conexión eléctrica inapropiada. Si se identifican conexiones inapropiadas, deben corregirse de inmediato.

VALORES DE TORSIÓN RECOMENDADOS PARA CONEXIONES ELÉCTRICAS CON PERNOS

| TAMAÑO DEL PERNO | ACERO CARBONO GRADO 5 pies-libras [Nm] ±5% | BRONCE ALEACIÓN CU270 pies-libras [Nm] ±5% | ACERO INOXIDABLE B8 O B8M pies-libras [Nm] ±5% |
|------------------|---|---|---|
| 1/4-20 | 7 [10] | 3.8 [5] | 5 [6] |
| 3/8-16 | 20 [27] | 14 [18] | 15 [20] |
| 1/2-13 | 60 [70] | 33 [45] | 37 [50] |
| 8 mm | 20 [23] | 12 [14] | 12 [14] |
| 12 mm | 60 [70] | 33 [45] | 37 [50] |

También debe revisarse la conexión a tierra para asegurar una conexión de baja impedancia.

Se debe verificar el calce de la puerta y el estado de la junta para determinar que se ajuste bien y esté bien sellado.

***Nota: los valores de torsión anteriores son para pernos secos, no lubricados.**



ADVERTENCIA

El incumplimiento de los requisitos de almacenamiento puede provocar la muerte o lesiones graves y daños materiales.

Secado de los transformadores



PELIGRO

PELIGRO DE DESCARGA ELÉCTRICA, EXPLOSIÓN O ARCO ELÉCTRICO

El incumplimiento de los procedimientos de secado adjuntos antes de conectar los transformadores previamente expuestos a la humedad a la electricidad causará lesiones personales graves o la muerte y daños materiales.

Es posible que los transformadores que han estado expuestos a condiciones de inundación no se sequen adecuadamente. La resistencia del aislamiento, núcleo a primario, núcleo a secundario y primario a secundario debe ser mayor a 1 kV MEGAOHMOS. Comuníquese con el fabricante del transformador para recibir instrucciones apropiadas.

Accesorios



PELIGRO

PELIGRO DE DESCARGA ELÉCTRICA, EXPLOSIÓN O ARCO ELÉCTRICO

Al instalar transformadores (sin importar la ubicación), el contratista que instala es responsable de una instalación correcta de conformidad con las instrucciones adjuntas y todos los códigos y estándares aplicables (incluidos los sísmicos). Si no se cumple con esto, se producirán lesiones personales graves o la muerte, o daños materiales.

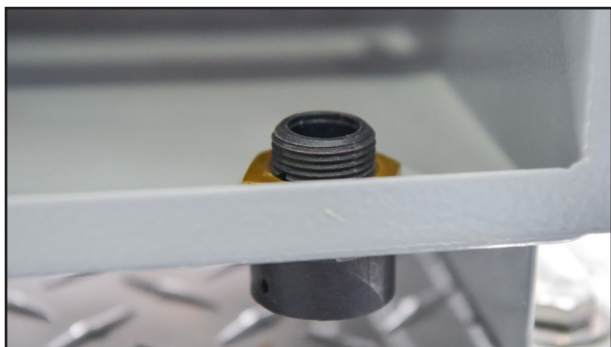
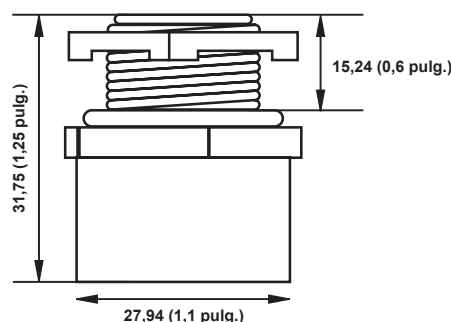


Figura 1.

Los transformadores encapsulados están disponibles con diversos accesorios para facilitar la instalación. Consulte con su distribuidor local para comprar cualquiera de los accesorios del producto que estén en existencias en el inventario. Algunos accesorios de uso frecuente incluyen:

1) Tapones de vaciado de respiradero, muy recomendados para las carcasas tipo 4/4X cuando hay variaciones de temperatura (p. ej., operaciones nocturnas/diurnas) y cuando es posible que haya condensación.

Cuando se coloca un vaciado de respiradero en la parte inferior de la carcasa, este diseño único permite el drenaje efectivo de la humedad que se forma debido a la condensación desde el interior de la carcasa sin comprometer la integridad de la carcasa tipo 4/4X.



***Asegúrese de que el tapón de vaciado esté instalado como se muestra en la Fig. 1.

Asegúrese de que los orificios de vaciado se limpien con aire para eliminar cualquier obstrucción antes de su instalación.

2) Conectores (paneles)

Los conectores para la instalación de transformadores tipo seco están disponibles. Estos conectores son apropiados para utilizarse con cables de cobre o aluminio.

Los conectores deben dimensionarse, instalarse y conectarse a los cables de acuerdo con los requisitos de su código eléctrico local siguiendo las mejores prácticas para asegurar un funcionamiento seguro y confiable. Las superficies de los cables deben limpiarse correctamente y se debe utilizar un compuesto eléctrico para todas las conexiones.

Selección de conectores

- a) Determine la corriente primaria para el transformador requerido del Apéndice A.
- b) De forma similar, determine la corriente nominal secundaria para el transformador indicada en el Apéndice A.

APÉNDICE A**CLASIFICACIONES DE AMPACIDAD PARA LAS CONEXIONES**

A. Para un transformador trifásico

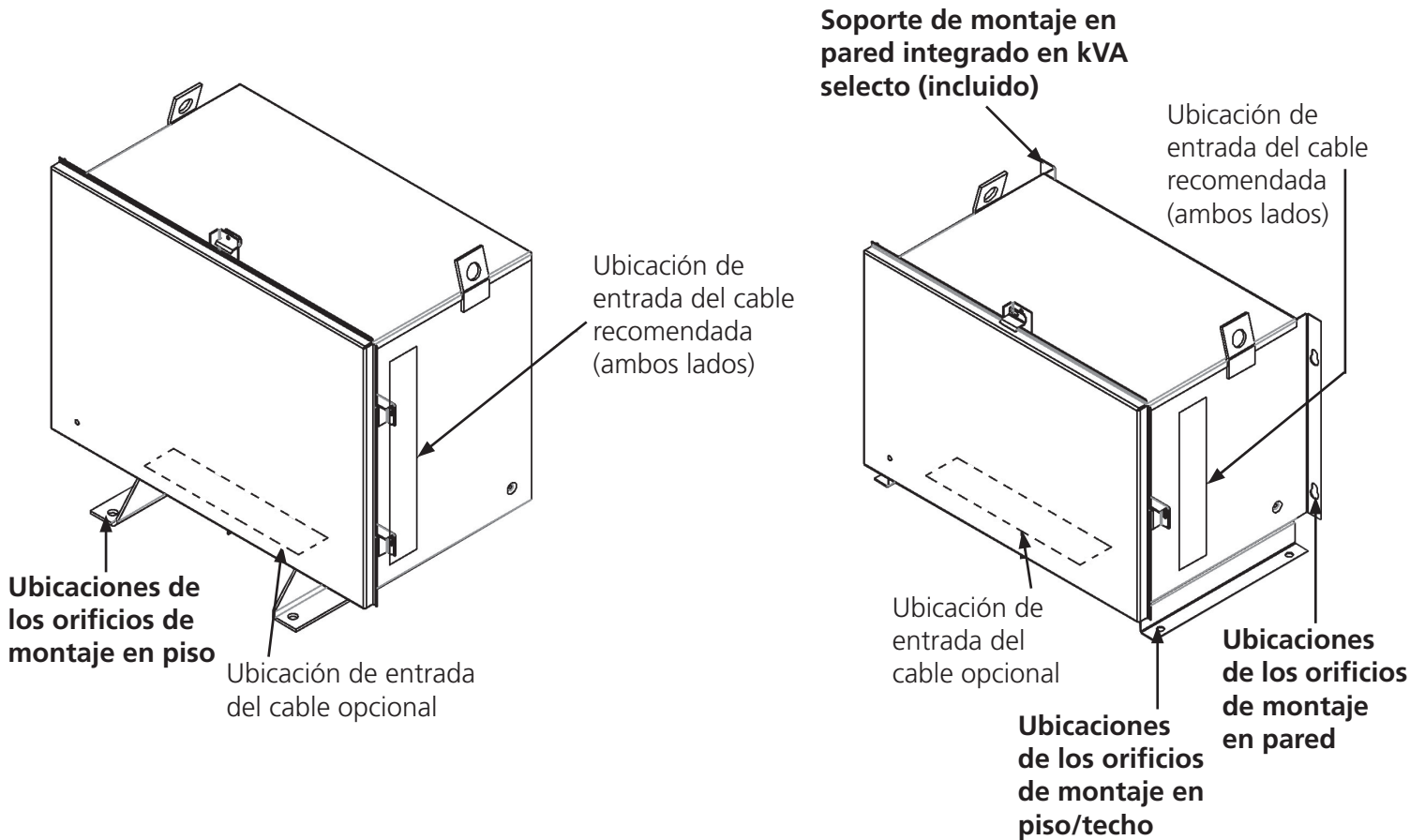
$$\text{Amperes de línea} = \frac{\text{Amperes de voltios}}{1.732 \times \text{Voltios de línea}}$$

**Tabla de corriente de carga plena
Transformador trifásico**

| kVA | Corriente en amperios | | | |
|-------|-----------------------|-------|-------|-------|
| | 208 V | 240 V | 480 V | 600 V |
| 3 | 8,33 | 7,22 | 3,61 | 2,89 |
| 6 | 16,7 | 14,4 | 7,22 | 5,77 |
| 9 | 25,0 | 21,7 | 10,8 | 8,66 |
| 15 | 41,6 | 36,1 | 18,0 | 14,4 |
| 30 | 83,3 | 72,2 | 36,1 | 28,9 |
| 45 | 125 | 108 | 54,1 | 43,3 |
| 75 | 208 | 180 | 90,2 | 72,2 |
| 100 | 278 | 241 | 120 | 96,2 |
| 112,5 | 312 | 271 | 135 | 108 |
| 150 | 416 | 361 | 180 | 144 |

APÉNDICE B

UBICACIÓN DE SOPORTES DE MONTAJE EN PARED PARA CARCASAS TIPO 4 DE LA SERIE DQT

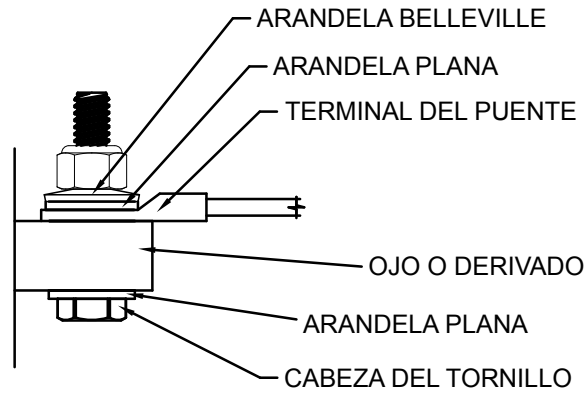


APÉNDICE C

Dibujos del conjunto del puente

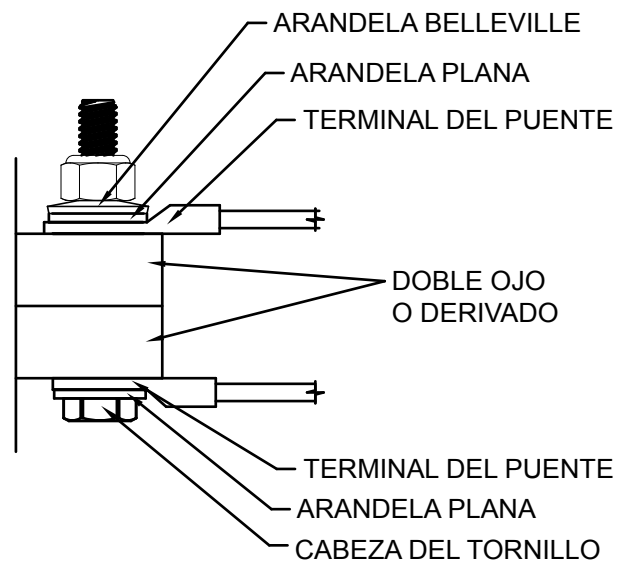
DIBUJO 1

Paneles de toma con ojo de un solo conductor



DIBUJO 2

Paneles de toma con ojo de doble conductor



APÉNDICE D
Ubicaciones de entrada del cable recomendada

FIGURA 1

Conjunto de carcasa no ventilada DQT típico tipo 4 para tres fases

Notas:

1. Manipulación: las unidades están diseñadas para que las levante un montacargas desde debajo de la tarima. El posicionamiento final de la unidad con la tarima extraída puede ser mediante un montacargas debajo del transformador con la horquilla entre los canales.
2. Envío: las unidades se envían sobre tarimas que deben extraerse en la instalación.
3. Instalación: este transformador puede instalarse en interiores o exteriores mientras se ofrezca un grado de protección contra la lluvia, el granizo y la formación externa de hielo.
4. Todos los transformadores encapsulados deben estar ubicados lejos de cualquier pared u otra obstrucción; consulte la placa para conocer la distancia mínima.

Antes de perforar los orificios, asegúrese de dejar el espacio correspondiente para la resina tanto para los conductos como para la tuerca de los conductos.

