

Installation, Operation, and Maintenance Guide

HPS Centurion® R Iron Core Reactors

This manual covers the recommendations for the installation, operation and maintenance of Centurion® R reactors. It is emphasized that these abbreviated instructions should be used in conjunction with all local and National codes and should be referenced accordingly.



	Page
Warnings	2
Safety Instructions	3
Part Number Key	4
Technical Specification	5
Selection Tables	6
Core and Coil Specification Charts	13
Enclosed Specification Charts	17
Receiving & Inspection	21
Lifting Procedures	21
Storage	22
Installation Precautions	22
Mechanical Installation	23
Electrical Installation	23
Frame size	24
Enclosure Style	27
Termination	29
Connection Diagrams	30
Dry-Out	31
Location	32
Sound Levels	33
Field Testing	33
Maintenance	35
Cleaning	35
Field Service	36

Disclaimer of Liability

The recommended practices in this manual are for general applications and are supplied without liability for errors or omissions. Technical data are subject to change and any necessary corrections are included in subsequent editions. Special requirements should be referenced back to the manufacturer and/or their representative.

This guide covers the recommendations for the installation, operation and maintenance of reactors with or without enclosure. It is emphasized that these abbreviated instructions should be used in conjunction with all standards and local codes covering such work and should be referenced accordingly.

These recommended practices are for general applications and any special requirements should be referenced back to the reactor manufacturer and/or their representative.

It is further recommended that installation work be governed by ANSI/IEEE C57.94. This is the IEEE recommended practice for Installation, Application, Operation and Maintenance of Reactors.

This manual contains warnings to observe in order to ensure personal safety and prevent property damage. Read these instructions carefully and look at the equipment to become familiar with the device before trying to install, operate, service or maintain it. The notices referring to personal safety are highlighted in the manual by a safety alert symbol, notices referring only to property damage have no safety alert symbol. These notices shown below are graded according to the degree of danger. If more than one degree of danger is present, the warning representing the highest degree of danger will be used.



DANGER

DANGER indicates an imminently hazardous situation which, if not avoided, will result in death or serious injury, and/or substantial property damage.



WARNING

WARNING indicates a potentially hazardous situation which if not avoided, can result in death or serious injury, and/or substantial property damage.



CAUTION

CAUTION indicates a potentially hazardous situation which, if not avoided, can result in minor or moderate injury or property damage.

Important Note:

Electrical equipment should be installed, operated, serviced, and maintained, only by qualified personnel. No responsibility is assumed by the manufacturer for any consequences arising out of the use of this material.

NOTICE

NOTICE indicates a potentially hazardous situation which, if not avoided, can result in property damage.

Safety Precautions



DANGER

HAZARD OF ELECTRIC SHOCK, EXPLOSION OR ARC FLASH

Refer to nameplate for ratings.

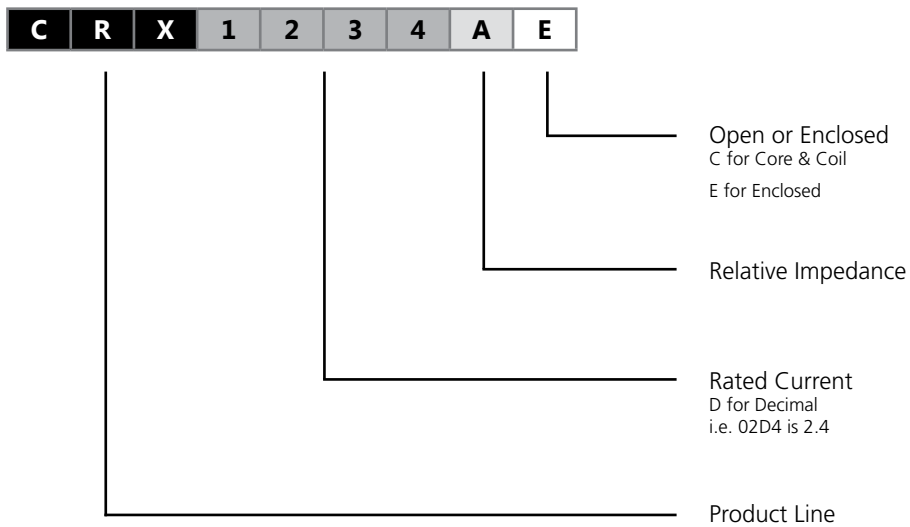
This equipment must only be installed and serviced by qualified electrical personnel. Follow all requirements in NFPA 70E and CSA 462 for safe work practice and personal protective equipment (PPE).

Turn off all power supplying this equipment before working on or inside equipment. Always use a properly rated voltage sensing device to confirm power is off. Replace all devices, doors, and covers before turning on power to this equipment.

Failure to follow these instructions will result in death or serious injury.

1. Do not lift or move a reactor without proper equipment and experienced personnel. Lifting provisions are provided inside of the enclosure on the core/coil only. Always use lifting provisions provided by the manufacturer.
2. Do not off-load the reactor until a full inspection has been completed.
3. Only use terminals for electrical connections. Uni-strut supports can be added in the field providing proper clearances are maintained.
4. Connections should only be made in accordance with the nameplate diagram or connection drawings.
5. Make sure all power (including back-fed control and capacitor charge) is disconnected and all windings are grounded before attempting any work on the reactor.
6. Make certain all line terminals are complete and tightened before energizing the reactor.
7. Do not attempt to change any primary or secondary connections while the reactor is energized.
8. Do not remove any accessories or cover plates while the reactor is energized.
9. No supply cables should come in contact with the core or coil or any live part except the terminal that it is intended for. Ensure that minimum clearances are maintained. (refer to Field Testing section)
10. This equipment must only be installed and serviced by qualified electrical personnel.
11. Follow all requirements in NFPA 70E and CSA 462 for safe work practice and personal protective equipment (PPE).
12. Replace all devices, doors, and covers before turning on power to this equipment.
13. Cover the core and coil with a suitable protective drop cloth if there is drilling, grinding, or painting to be done.
14. You are not allowed to perform any modification to the equipment (as this may affect warranty and cause a hazardous situation) without HPS's prior authorization.

Part Number Key



Rated current is the RMS current. Selection tables are located on pages 6 to 12. The horse power and rms current in the selection table are based on NEC motor sizing table. Always check against the actual application's current requirements.

Core and Coil units

Specification charts are found on pages 13 to 16. Optional enclosure with hardware kits are sold separately and part numbers can be found in the specification table under heading Enclosure Part Number.



Enclosed units

Specification charts are found on pages 17 to page 20.

Technical Specification

System Voltage Rating:	120 V, 208 V, 240 V, 480 V, 600 V, (690 V de-rated)
Impedance Rating:	1.5%, 3%, 5%
Inductance:	<ul style="list-style-type: none">- Nominal Inductance +15/-10% at rated current- 95% of nominal inductance at 110% of rated current- 80% of nominal inductance at 150% of rated current- 50% of nominal inductance at 200% of rated current
Cooling Method:	Natural convection
Insulation System:	<ul style="list-style-type: none">- 70°C rise over average 50°C ambient for 130°C Temperature Class- 115°C rise over average 50°C ambient for 180°C and 220°C Temperature Classes
Altitude (de-rating):	Per NEMA ST-20
Fundamental Frequency:	50/60 Hz Rated
Dielectric Strength:	4000 Volts RMS (2200 Volts peak repetitive.)
Approvals:	CE, CSA, UL
Warranty:	10 years

Selection Tables

Single Phase

HP Rating	Single Phase - 120 Volt - 60 Hz					
	3% Impedance			5% Impedance		
	Amps	Core & Coil Part Num.	Enclosed Part Num.	Amps	Core & Coil Part Num.	Enclosed Part Num.
0.25	2.08	CRX03D5BC	CRX03D5BE	2.08	CRX03D5CC	CRX03D5CE
0.5	4.16	CRX07D5AC	CRX07D5AE	4.16	CRX06D6CC	CRX06D6CE
0.75	6.25	CRX10D7BC	CRX10D7BE	6.25	CRX0017AC	CRX0017AE
1	8.33	CRX0024CC	CRX0024CE	8.33	CRX0022AC	CRX0022AE
1.5	12.5	CRX0024CC	CRX0024CE	12.5	CRX16D7DC	CRX16D7DE
2	16.7	CRX0024AC	CRX0024AE	16.7	CRX16D7BC	CRX16D7BE
3	25	CRX0031AC	CRX0031AE	25	CRX0024AC	CRX0024AE
5	41.6	CRX0059AC	CRX0059AE	41.6	CRX0059CC	CRX0059CE
7.5	62.5	CRX0075AC	CRX0075AE	62.5	CRX0059AC	CRX0059AE
10	83.3	CRX0114AC	CRX0114AE	83.3	CRX0088AC	CRX0088AE

HP Rating	Single Phase - 240 Volt - 60 Hz					
	3% Impedance			5% Impedance		
	Amps	Core & Coil Part Num.	Enclosed Part Num.	Amps	Core & Coil Part Num.	Enclosed Part Num.
0.25	1.04	CRX02D1AC	CRX02D1AE	1.04	CRX0002CC	CRX0002CE
0.5	2.08	CRX02D4DC	CRX02D4DE	2.08	CRX02D7AC	CRX02D7AE
0.75	3.13	CRX03D5BC	CRX03D5BE	3.13	CRX02D4DC	CRX02D4DE
1	4.17	CRX0011CC	CRX0011CE	4.17	CRX04D8AC	CRX04D8AE
1.5	6.25	CRX06D6CC	CRX06D6CE	6.25	CRX0011CC	CRX0011CE
2	8.33	CRX10D7DC	CRX10D7DE	8.33	CRX0011AC	CRX0011AE
3	12.5	CRX10D7BC	CRX10D7BE	12.5	CRX0017AC	CRX0017AE
5	20.8	CRX0024CC	CRX0024CE	20.8	CRX0021AC	CRX0021AE
7.5	31.2	CRX0052BC	CRX0052BE	31.2	CRX0034AC	CRX0034AE
10	41.6	CRX0059CC	CRX0059CE	41.6	CRX0052AC	CRX0052AE

Selection Tables *continued*

Three Phase

HP Rating	Three Phase 208 Volt - 60 Hz					
	3% Impedance			5% Impedance		
	Amps	Core & Coil Part Num.	Enclosed Part Num.	Amps	Core & Coil Part Num.	Enclosed Part Num.
0.5	2.4	CRX02D4BC	CRX02D4BE	2.4	CRX02D4DC	CRX02D4DE
0.75	3.5	CRX03D5AC	CRX03D5AE	3.5	CRX03D5DC	CRX03D5DE
1	4.6	CRX04D6BC	CRX04D6BE	4.6	CRX04D6CC	CRX04D6CE
1.5	6.6	CRX06D6BC	CRX06D6BE	6.6	CRX06D6CC	CRX06D6CE
2	7.5	CRX07D5AC	CRX07D5AE	7.5	CRX07D5DC	CRX07D5DE
3	10.7	CRX10D7BC	CRX10D7BE	10.7	CRX10D7DC	CRX10D7DE
5	16.7	CRX16D7BC	CRX16D7BE	16.7	CRX16D7DC	CRX16D7DE
7.5	24	CRX0024AC	CRX0024AE	24	CRX0024CC	CRX0024CE
10	31	CRX0031BC	CRX0031BE	31	CRX0031CC	CRX0031CE
15	46	CRX0046BC	CRX0046BE	46	CRX0046CC	CRX0046CE
20	59	CRX0059AC	CRX0059AE	59	CRX0059CC	CRX0059CE
25	75	CRX0075AC	CRX0075AE	75	CRX0075CC	CRX0075CE
30	88	CRX0088BC	CRX0088BE	88	CRX0088CC	CRX0088CE
40	114	CRX0114AC	CRX0114AE	114	CRX0114CC	CRX0114CE
50	143	CRX0143AC	CRX0143AE	143	CRX0143DC	CRX0143DE
60	170	CRX0170BC	CRX0170BE	170	CRX0170DC	CRX0170DE
75	211	CRX0211BC	CRX0211BE	211	CRX0211CC	CRX0211CE
100	273	CRX0273BC	CRX0273BE	273	CRX0273CC	CRX0273CE
125	343	CRX0343BC	CRX0343BE	343	CRX0343CC	CRX0343CE
150	396	CRX0396BC	CRX0396BE	396	CRX0396DC	CRX0396DE
200	528	CRX0528BC	CRX0528BE	528	CRX0528CC	CRX0528CE

Selection Tables *continued*

Three Phase

HP Rating	Three Phase 240 Volt - 60 Hz					
	3% Impedance			5% Impedance		
	Amps	Core & Coil Part Num.	Enclosed Part Num.	Amps	Core & Coil Part Num.	Enclosed Part Num.
0.5	2.4	CRX02D4AC	CRX02D4AE	2.4	CRX02D4CC	CRX02D4CE
0.75	3.5	CRX03D5BC	CRX03D5BE	3.5	CRX03D5CC	CRX03D5CE
1	4.6	CRX04D6AC	CRX04D6AE	4.6	CRX04D6DC	CRX04D6DE
1.5	6.6	CRX06D6AC	CRX06D6AE	6.6	CRX06D6DC	CRX06D6DE
2	7.5	CRX07D5BC	CRX07D5BE	7.5	CRX07D5CC	CRX07D5CE
3	10.7	CRX10D7AC	CRX10D7AE	10.7	CRX10D7CC	CRX10D7CE
5	16.7	CRX16D7AC	CRX16D7AE	16.7	CRX16D7CC	CRX16D7CE
7.5	24	CRX0024BC	CRX0024BE	24	CRX0024DC	CRX0024DE
10	31	CRX0031AC	CRX0031AE	31	CRX0031DC	CRX0031DE
15	46	CRX0046AC	CRX0046AE	46	CRX0046DC	CRX0046DE
20	59	CRX0059BC	CRX0059BE	59	CRX0059DC	CRX0059DE
25	75	CRX0075BC	CRX0075BE	75	CRX0075DC	CRX0075DE
30	88	CRX0088AC	CRX0088AE	88	CRX0088DC	CRX0088DE
40	114	CRX0114BC	CRX0114BE	114	CRX0114DC	CRX0114DE
50	143	CRX0143BC	CRX0143BE	143	CRX0143CC	CRX0143CE
60	170	CRX0170AC	CRX0170AE	170	CRX0170CC	CRX0170CE
75	211	CRX0211AC	CRX0211AE	211	CRX0211DC	CRX0211DE
100	273	CRX0273AC	CRX0273AE	273	CRX0273DC	CRX0273DE
125	343	CRX0343AC	CRX0343AE	343	CRX0343DC	CRX0343DE
150	396	CRX0396AC	CRX0396AE	396	CRX0396CC	CRX0396CE
200	528	CRX0528AC	CRX0528AE	528	CRX0528DC	CRX0528DE

Selection Tables *continued*

Three Phase

HP Rating	Three Phase 480 Volt - 60 Hz		
	1.5% Impedance		
	Amps	Core & Coil Part Num.	Enclosed Part Num.
0.5	2.4	CRX02D4AC	CRX02D4AE
0.75	3.5	CRX03D5BC	CRX03D5BE
1	4.6	CRX04D6AC	CRX04D6AE
1.5	6.6	CRX06D6AC	CRX06D6AE
2	7.5	CRX07D5BC	CRX07D5BE
3	10.7	CRX10D7AC	CRX10D7AE
5	16.7	CRX16D7AC	CRX16D7AE
7.5	24	CRX0024BC	CRX0024BE
10	31	CRX0031AC	CRX0031AE
15	46	CRX0046AC	CRX0046AE
20	59	CRX0059BC	CRX0059BE
25	75	CRX0075BC	CRX0075BE
30	88	CRX0088AC	CRX0088AE
40	114	CRX0114BC	CRX0114BE
50	143	CRX0143BC	CRX0143BE
60	170	CRX0170AC	CRX0170AE
75	211	CRX0211AC	CRX0211AE
100	273	CRX0273AC	CRX0273AE
125	343	CRX0343AC	CRX0343AE
150	396	CRX0396AC	CRX0396AE
200	528	CRX0528AC	CRX0528AE

Selection Tables *continued*

Three Phase

HP Rating	Three Phase 480 Volt - 60 Hz					
	3% Impedance			5% Impedance		
	Amps	Core & Coil Part Num.	Enclosed Part Num.	Amps	Core & Coil Part Num.	Enclosed Part Num.
0.5	1.1	CRX01D1AC	CRX01D1AE	1.1	CRX01D1BC	CRX01D1BE
0.75	1.6	CRX01D6AC	CRX01D6AE	1.6	CRX01D6BC	CRX01D6BE
1	2.1	CRX02D1AC	CRX02D1AE	2.1	CRX02D1BC	CRX02D1BE
1.5	3	CRX0003AC	CRX0003AE	3	CRX0003BC	CRX0003BE
2	3.4	CRX03D4AC	CRX03D4AE	3.4	CRX03D4BC	CRX03D4BE
3	4.8	CRX04D8AC	CRX04D8AE	4.8	CRX04D8BC	CRX04D8BE
5	7.6	CRX07D6AC	CRX07D6AE	7.6	CRX07D6BC	CRX07D6BE
7.5	11	CRX0011BC	CRX0011BE	11	CRX0011CC	CRX0011CE
10	14	CRX0014AC	CRX0014AE	14	CRX0014BC	CRX0014BE
15	21	CRX0021AC	CRX0021AE	21	CRX0021BC	CRX0021BE
20	27	CRX0027BC	CRX0027BE	27	CRX0027CC	CRX0027CE
25	34	CRX0034AC	CRX0034AE	34	CRX0034BC	CRX0034BE
30	40	CRX0040AC	CRX0040AE	40	CRX0040BC	CRX0040BE
40	52	CRX0052BC	CRX0052BE	52	CRX0052DC	CRX0052DE
50	65	CRX0065AC	CRX0065AE	65	CRX0065BC	CRX0065BE
60	77	CRX0077AC	CRX0077AE	77	CRX0077DC	CRX0077DE
75	96	CRX0096AC	CRX0096AE	96	CRX0096BC	CRX0096BE
100	124	CRX0124AC	CRX0124AE	124	CRX0124BC	CRX0124BE
125	156	CRX0156AC	CRX0156AE	156	CRX0156BC	CRX0156BE
150	180	CRX0180AC	CRX0180AE	180	CRX0180BC	CRX0180BE
200	240	CRX0240AC	CRX0240AE	240	CRX0240BC	CRX0240BE
250	302	CRX0302AC	CRX0302AE	302	CRX0302BC	CRX0302BE
300	361	CRX0361AC	CRX0361AE	361	CRX0361BC	CRX0361BE
350	414	CRX0414AC	CRX0414AE	414	CRX0414BC	CRX0414BE
400	477	CRX0477AC	CRX0477AE	477	CRX0477BC	CRX0477BE
450	515	CRX0515AC	CRX0515AE	515	CRX0515BC	CRX0515BE
500	590	CRX0590AC	CRX0590AE	590	CRX0590BC	CRX0590BE
600	720	CRX0720AC	CRX0720AE	77	CONSULT FACTORY	
700	840	CRX0840AC	CRX0840AE	96	CONSULT FACTORY	
800	960	CRX0960AC	CRX0960AE	124	CONSULT FACTORY	
900	1080	CRX1080AC	CRX1080AE	156	CONSULT FACTORY	
1000	1200	CRX1200AC	CRX1200AE	180	CONSULT FACTORY	

Selection Tables *continued*

Three Phase

HP Rating	Three Phase 600 Volt - 60 Hz					
	3% Impedance			5% Impedance		
	Amps	Core & Coil Part Num.	Enclosed Part Num.	Amps	Core & Coil Part Num.	Enclosed Part Num.
0.5	1	CRX0001AC	CRX0001AE	1	CRX0001BC	CRX0001BE
0.75	1.4	CRX01D4AC	CRX01D4AE	1.4	CRX01D4BC	CRX01D4BE
1	1.8	CRX01D8AC	CRX01D8AE	1.8	CRX01D8BC	CRX01D8BE
1.5	2.6	CRX02D6AC	CRX02D6AE	2.6	CRX02D6BC	CRX02D6BE
2	2.7	CRX02D7AC	CRX02D7AE	2.7	CRX02D7BC	CRX02D7BE
3	3.9	CRX03D9AC	CRX03D9AE	3.9	CRX03D9BC	CRX03D9BE
5	6.1	CRX06D1AC	CRX06D1AE	6.1	CRX06D1BC	CRX06D1BE
7.5	9	CRX0009AC	CRX0009AE	9	CRX0009BC	CRX0009BE
10	11	CRX0011AC	CRX0011AE	11	CRX0011DC	CRX0011DE
15	17	CRX0017AC	CRX0017AE	17	CRX0017BC	CRX0017BE
20	22	CRX0022AC	CRX0022AE	22	CRX0022BC	CRX0022BE
25	27	CRX0027AC	CRX0027AE	27	CRX0027DC	CRX0027DE
30	32	CRX0032AC	CRX0032AE	32	CRX0032BC	CRX0032BE
40	41	CRX0041AC	CRX0041AE	41	CRX0041BC	CRX0041BE
50	52	CRX0052AC	CRX0052AE	52	CRX0052CC	CRX0052CE
60	62	CRX0062AC	CRX0062AE	62	CRX0062BC	CRX0062BE
75	77	CRX0077BC	CRX0077BE	77	CRX0077CC	CRX0077CE
100	99	CRX0099AC	CRX0099AE	99	CRX0099BC	CRX0099BE
125	125	CRX0125AC	CRX0125AE	125	CRX0125BC	CRX0125BE
150	144	CRX0144AC	CRX0144AE	144	CRX0144BC	CRX0144BE
200	192	CRX0192AC	CRX0192AE	192	CRX0192BC	CRX0192BE
250	242	CRX0242AC	CRX0242AE	242	CRX0242BC	CRX0242BE
300	289	CRX0289AC	CRX0289AE	289	CRX0289BC	CRX0289BE
350	336	CRX0336AC	CRX0336AE	336	CRX0336BC	CRX0336BE
400	382	CRX0382AC	CRX0382AE	382	CRX0382BC	CRX0382BE
450	412	CRX0412AC	CRX0412AE	412	CRX0412BC	CRX0412BE
500	472	CRX0472AC	CRX0472AE	472	CRX0472BC	CRX0472BE

Selection Tables *continued*

HP Rating	Three Phase 690 Volt - 60 Hz					
	2.6% Impedance			4.5% Impedance		
	Amps	Core & Coil Part Num.	Enclosed Part Num.	Amps	Core & Coil Part Num.	Enclosed Part Num.
0.5	1	CRX0001AC	CRX0001AE	1	CRX0001BC	CRX0001BE
0.75	1.4	CRX01D4AC	CRX01D4AE	1.4	CRX01D4BC	CRX01D4BE
1	1.8	CRX01D8AC	CRX01D8AE	1.8	CRX01D8BC	CRX01D8BE
1.5	2.6	CRX02D6AC	CRX02D6AE	2.6	CRX02D6BC	CRX02D6BE
2	2.7	CRX02D7AC	CRX02D7AE	2.7	CRX02D7BC	CRX02D7BE
3	3.9	CRX03D9AC	CRX03D9AE	3.9	CRX03D9BC	CRX03D9BE
5	6.1	CRX06D1AC	CRX06D1AE	6.1	CRX06D1BC	CRX06D1BE
7.5	9	CRX0009AC	CRX0009AE	9	CRX0009BC	CRX0009BE
10	11	CRX0011AC	CRX0011AE	11	CRX0011DC	CRX0011DE
15	17	CRX0017AC	CRX0017AE	17	CRX0017BC	CRX0017BE
20	22	CRX0022AC	CRX0022AE	22	CRX0022BC	CRX0022BE
25	27	CRX0027AC	CRX0027AE	27	CRX0027DC	CRX0027DE
30	32	CRX0032AC	CRX0032AE	32	CRX0032BC	CRX0032BE
40	41	CRX0041AC	CRX0041AE	41	CRX0041BC	CRX0041BE
50	52	CRX0052AC	CRX0052AE	52	CRX0052CC	CRX0052CE
60	62	CRX0062AC	CRX0062AE	62	CRX0062BC	CRX0062BE
75	77	CRX0077BC	CRX0077BE	77	CRX0077CC	CRX0077CE
100	99	CRX0099AC	CRX0099AE	99	CRX0099BC	CRX0099BE
125	125	CRX0125AC	CRX0125AE	125	CRX0125BC	CRX0125BE
150	144	CRX0144AC	CRX0144AE	144	CRX0144BC	CRX0144BE
200	192	CRX0192AC	CRX0192AE	192	CRX0192BC	CRX0192BE
250	242	CRX0242AC	CRX0242AE	242	CRX0242BC	CRX0242BE
300	289	CRX0289AC	CRX0289AE	289	CRX0289BC	CRX0289BE
350	336	CRX0336AC	CRX0336AE	336	CRX0336BC	CRX0336BE
400	382	CRX0382AC	CRX0382AE	382	CRX0382BC	CRX0382BE
450	412	CRX0412AC	CRX0412AE	412	CRX0412BC	CRX0412BE
500	472	CRX0472AC	CRX0472AE	472	CRX0472BC	CRX0472BE

Core and Coil Specification Charts

RMS Amp	Core & Coil	Inductance (mH)	Watts Loss	Width	Depth	Height	Mtg. Width	Mtg. Depth	Mtg. Slot w x d	Diagram Figure	Termination Style Ref.	Frame Size	Enclosure Part Number	Weight (lb)
1	CRX0001AC	27.20	21	4.13	2.29	5.13	2.81	1.79	0.28 x 0.38	1	1	1A	CREN1	2.5
	CRX0001BC	47.09	12	4.13	2.29	5.13	2.81	1.79	0.28 x 0.38	1	1	1A	CREN1	2.5
1.1	CRX01D1AC	20.36	12	4.13	2.29	5.13	2.81	1.79	0.28 x 0.38	1	1	1A	CREN1	2.5
	CRX01D1BC	33.94	15	4.13	2.29	5.13	2.81	1.79	0.28 x 0.38	1	1	1A	CREN1	2.5
1.4	CRX01D4AC	20.36	12	4.13	2.29	5.13	2.81	1.79	0.28 x 0.38	1	1	1A	CREN1	2.5
	CRX01D4BC	33.94	15	4.13	2.29	5.13	2.81	1.79	0.28 x 0.38	1	1	1A	CREN1	2.5
1.6	CRX01D6AC	14.91	15	4.13	2.29	5.13	2.81	1.79	0.28 x 0.38	1	1	1A	CREN1	2.5
	CRX01D6BC	23.55	12	4.13	2.29	5.13	2.81	1.79	0.28 x 0.38	1	1	1A	CREN1	2.5
1.8	CRX01D8AC	14.91	15	4.13	2.29	5.13	2.81	1.79	0.28 x 0.38	1	1	1A	CREN1	2.5
	CRX01D8BC	27.20	21	4.13	2.29	5.13	2.81	1.79	0.28 x 0.38	1	1	1A	CREN1	2.5
2	CRX0002CC	20.00	15	4.13	2.29	5.13	2.81	1.79	0.28 x 0.38	1	1	1A	CREN1	3
2.1	CRX02D1AC	10.61	19	4.13	2.29	5.13	2.81	1.79	0.28 x 0.38	1	1	1A	CREN1	2.5
	CRX02D1BC	17.83	21	4.13	2.29	5.13	2.81	1.79	0.28 x 0.38	1	1	1A	CREN1	3
2.4	CRX02D4AC	4.67	29	4.13	2.29	5.13	2.81	1.79	0.28 x 0.38	1	1	1A	CREN1	3
	CRX02D4BC	4.08	9	4.13	2.29	5.13	2.81	1.79	0.28 x 0.38	1	1	1A	CREN1	2.5
	CRX02D4CC	7.06	22	4.13	2.29	5.13	2.81	1.79	0.28 x 0.38	1	1	1A	CREN1	3
	CRX02D4DC	7.06	22	4.13	2.29	5.13	2.81	1.79	0.28 x 0.38	1	1	1A	CREN1	3
2.6	CRX02D6AC	10.61	35	4.13	2.29	5.13	2.81	1.79	0.28 x 0.38	1	1	1A	CREN1	3
	CRX02D6BC	17.83	21	4.13	2.29	5.13	2.81	1.79	0.28 x 0.38	1	1	1A	CREN1	3
2.7	CRX02D7AC	10.61	19	4.13	2.29	5.13	2.81	1.79	0.28 x 0.38	1	1	1A	CREN1	2.5
	CRX02D7BC	17.83	21	4.13	2.29	5.13	2.81	1.79	0.28 x 0.38	1	1	1A	CREN1	3
3	CRX0003AC	7.06	22	4.13	2.29	5.13	2.81	1.79	0.28 x 0.38	1	1	1A	CREN1	3
	CRX0003BC	10.61	35	4.13	2.29	5.13	2.81	1.79	0.28 x 0.38	1	1	1A	CREN1	3
3.4	CRX03D4AC	7.06	22	4.13	2.29	5.13	2.81	1.79	0.28 x 0.38	1	1	1A	CREN1	3
	CRX03D4BC	10.61	35	4.13	2.29	5.13	2.81	1.79	0.28 x 0.38	1	1	1A	CREN1	3
3.5	CRX03D5AC	2.80	15	4.13	2.29	5.13	2.81	1.79	0.28 x 0.38	1	1	1A	CREN1	2.5
	CRX03D5BC	3.55	18	4.13	2.29	5.13	2.81	1.79	0.28 x 0.38	1	1	1A	CREN1	2.5
	CRX03D5CC	5.09	40	6.50	5.00	6.13	4.38	4.00	0.28 x 0.38	1	2	1D	CREN1	11
	CRX03D5DC	4.67	29	4.13	2.29	5.13	2.81	1.79	0.28 x 0.38	1	1	1A	CREN1	3
3.9	CRX03D9AC	7.06	22	4.13	2.29	5.13	2.81	1.79	0.28 x 0.38	1	1	1A	CREN1	3
	CRX03D9BC	10.61	35	4.13	2.29	5.13	2.81	1.79	0.28 x 0.38	1	1	1A	CREN1	3
4	CRX0004CC	9.10	26	4.13	2.29	5.13	2.81	1.79	0.28 x 0.38	1	1	1A	CREN1	3
4.6	CRX04D6AC	2.13	15	4.13	2.29	5.13	2.81	1.79	0.28 x 0.38	1	1	1A	CREN1	2.5
	CRX04D6BC	2.13	15	4.13	2.29	5.13	2.81	1.79	0.28 x 0.38	1	1	1A	CREN1	2.5
	CRX04D6CC	3.55	18	4.13	2.29	5.13	2.81	1.79	0.28 x 0.38	1	1	1A	CREN1	2.5
	CRX04D6DC	4.67	29	4.13	2.29	5.13	2.81	1.79	0.28 x 0.38	1	1	1A	CREN1	3
4.8	CRX04D8AC	4.70	22	4.13	2.29	5.13	2.81	1.79	0.28 x 0.38	1	1	1A	CREN1	3
	CRX04D8BC	7.78	35	4.13	3.51	5.13	2.87	2.63	0.28 x 0.38	1	1	1B	CREN1	4.5
6.1	CRX06D1AC	4.67	29	4.13	2.29	5.13	2.81	1.79	0.28 x 0.38	1	1	1A	CREN1	3
	CRX06D1BC	7.78	35	4.13	3.51	5.13	2.87	2.63	0.28 x 0.38	1	1	1B	CREN1	4.5
6.6	CRX06D6AC	1.48	18	4.13	2.29	5.13	2.81	1.79	0.28 x 0.38	1	1	1A	CREN1	2.5
	CRX06D6BC	1.48	18	4.13	2.29	5.13	2.81	1.79	0.28 x 0.38	1	1	1A	CREN1	2.5
	CRX06D6CC	2.33	24	4.13	2.29	5.13	2.81	1.79	0.28 x 0.38	1	1	1A	CREN1	3
	CRX06D6DC	3.06	31	4.13	3.51	5.13	2.87	2.63	0.28 x 0.38	1	1	1B	CREN1	4.5
7.5	CRX07D5AC	1.31	18	4.13	2.29	5.13	2.81	1.79	0.28 x 0.38	1	1	1A	CREN1	2.5
	CRX07D5BC	1.53	25	4.13	3.51	5.38	2.87	2.63	0.28 x 0.38	1	2	1C	CREN1	4.5
	CRX07D5CC	2.33	24	4.13	2.29	5.13	2.81	1.79	0.28 x 0.38	1	1	1A	CREN1	3
	CRX07D5DC	2.33	24	4.13	2.29	5.13	2.81	1.79	0.28 x 0.38	1	1	1A	CREN1	3
7.6	CRX07D6AC	3.06	31	4.13	3.51	5.13	2.87	2.63	0.28 x 0.38	1	1	1B	CREN1	4.5
	CRX07D6BC	5.09	40	6.50	5.00	6.13	4.38	4.00	0.28 x 0.38	1	2	1D	CREN1	11
8	CRX0008CC	7.50	39	6.50	5.00	6.13	4.38	4.00	0.28 x 0.38	1	2	1D	CREN1	12

All dimensions in inches
Refer to page 24-27 for drawings

Core and Coil Specification Charts *continued*

RMS Amp	Core & Coil	Inductance (mH)	Watts Loss	Width	Depth	Height	Mtg. Width	Mtg. Depth	Mtg. Slot w x d	Diagram Figure	Termination Style Ref.	Frame Size	Enclosure Part Number	Weight (lb)
9	CRX0009AC	3.06	31	4.13	3.51	5.13	2.87	2.63	0.28 x 0.38	1	1	1B	CREN1	4.5
	CRX0009BC	5.09	40	6.50	5.00	6.13	4.38	4.00	0.28 x 0.38	1	2	1D	CREN1	11
10.7	CRX10D7AC	0.95	30	4.13	3.51	5.38	2.87	2.63	0.28 x 0.38	1	2	1C	CREN1	4.5
	CRX10D7BC	0.95	30	4.13	3.51	5.38	2.87	2.63	0.28 x 0.38	1	2	1C	CREN1	4.5
	CRX10D7CC	1.64	37	4.13	3.51	5.38	2.87	2.63	0.28 x 0.38	1	2	1C	CREN1	4.5
	CRX10D7DC	1.53	25	4.13	3.51	5.38	2.87	2.63	0.28 x 0.38	1	2	1C	CREN1	4.5
11	CRX0011AC	2.57	36	4.13	3.51	5.38	2.87	2.63	0.28 x 0.38	1	2	1C	CREN1	5
	CRX0011BC	2.10	31	4.13	3.51	5.38	2.87	2.63	0.28 x 0.38	1	2	1C	CREN1	4.5
	CRX0011CC	3.40	39	6.50	5.00	6.13	4.38	4.00	0.28 x 0.38	1	2	1D	CREN1	11
	CRX0011DC	4.28	45	6.50	5.00	6.13	4.38	4.00	0.28 x 0.38	1	2	1D	CREN1	11
12	CRX0012CC	4.20	52	6.50	5.00	6.13	4.38	4.00	0.28 x 0.38	1	2	1D	CREN1	12
14	CRX0014AC	1.64	37	4.13	3.51	5.38	2.87	2.63	0.28 x 0.38	1	2	1C	CREN1	4.5
	CRX0014BC	2.73	57	6.50	5.00	6.13	4.38	4.00	0.28 x 0.38	1	2	1D	CREN1	11.5
16.7	CRX16D7AC	0.59	30	4.13	3.51	5.38	2.87	2.63	0.28 x 0.38	1	2	1C	CREN1	4.5
	CRX16D7BC	0.59	30	4.13	3.51	5.38	2.87	2.63	0.28 x 0.38	1	2	1C	CREN1	4.5
	CRX16D7CC	1.06	57	6.50	5.00	6.13	4.38	4.00	0.28 x 0.38	1	3	1D	CREN1	11.5
	CRX16D7DC	0.95	30	4.13	3.51	5.38	2.87	2.63	0.28 x 0.38	1	2	1C	CREN1	4.5
17	CRX0017AC	1.66	51	6.50	5.00	6.13	4.38	4.00	0.28 x 0.38	1	2	1D	CREN1	10.5
	CRX0017BC	2.73	57	6.50	5.00	6.13	4.38	4.00	0.28 x 0.38	1	2	1D	CREN1	11.5
21	CRX0021AC	1.06	57	6.50	5.00	6.13	4.38	4.00	0.28 x 0.38	1	3	1D	CREN1	11.5
	CRX0021BC	1.80	57	6.50	5.00	6.13	4.38	4.00	0.28 x 0.38	1	2	1D	CREN1	11.5
22	CRX0022AC	1.28	51	6.50	5.00	6.13	4.38	4.00	0.28 x 0.38	1	2	1D	CREN1	11
	CRX0022BC	2.14	77	6.50	5.00	6.13	4.38	4.00	0.28 x 0.38	1	2	1D	CREN1	12
24	CRX0024AC	0.41	35	4.13	3.51	5.38	2.87	2.63	0.28 x 0.38	1	2	1C	CREN1	4.5
	CRX0024BC	0.55	68	6.50	5.00	6.13	4.38	4.00	0.28 x 0.38	1	3	1D	CREN1	12
	CRX0024CC	0.68	47	6.50	5.00	6.13	4.38	4.00	0.28 x 0.38	1	2	1D	CREN1	11
	CRX0024DC	0.86	60	6.50	5.00	6.13	4.38	4.00	0.28 x 0.38	1	2	1D	CREN1	10.5
27	CRX0027AC	1.06	57	6.50	5.00	6.13	4.38	4.00	0.28 x 0.38	1	3	1D	CREN1	11.5
	CRX0027BC	0.86	60	6.50	5.00	6.13	4.38	4.00	0.28 x 0.38	1	2	1D	CREN1	10.5
	CRX0027CC	1.40	57	6.50	5.00	6.13	4.38	4.00	0.28 x 0.38	1	3	1D	CREN1	12.5
	CRX0027DC	1.77	93	7.12	4.69	6.38	4.80	3.27	0.38 x 0.50	2	3	2A	CREN2	11.5
31	CRX0031AC	0.32	31	6.50	5.00	6.13	4.38	4.00	0.28 x 0.38	1	3	1D	CREN1	10.5
	CRX0031BC	0.32	31	6.50	5.00	6.13	4.38	4.00	0.28 x 0.38	1	3	1D	CREN1	10.5
	CRX0031CC	0.55	68	6.50	5.00	6.13	4.38	4.00	0.28 x 0.38	1	3	1D	CREN1	12
	CRX0031DC	0.68	80	6.50	5.00	6.13	4.38	4.00	0.28 x 0.38	1	3	1D	CREN1	12.5
32	CRX0032AC	0.88	68	6.50	5.00	6.13	4.38	4.00	0.28 x 0.38	1	3	1D	CREN1	12
	CRX0032BC	1.43	80	7.12	4.69	6.38	4.80	3.27	0.38 x 0.50	2	3	2A	CREN2	12.5
34	CRX0034AC	0.68	80	6.50	5.00	6.13	4.38	4.00	0.28 x 0.38	1	3	1D	CREN1	12.5
	CRX0034BC	1.13	115	7.12	5.19	6.38	4.80	3.77	0.38 x 0.50	2	3	2B	CREN2	12
35	CRX0035CC	1.70	93	7.12	5.19	6.38	4.80	3.77	0.38 x 0.50	2	3	2B	CREN2	24
40	CRX0040AC	0.55	68	6.50	5.00	6.13	4.38	4.00	0.28 x 0.38	1	3	1D	CREN1	12
	CRX0040BC	0.94	105	7.12	4.69	6.38	4.80	3.27	0.38 x 0.50	2	3	2A	CREN2	12.5
41	CRX0041AC	0.68	80	6.50	5.00	6.13	4.38	4.00	0.28 x 0.38	1	3	1D	CREN1	12.5
	CRX0041BC	1.13	115	7.12	5.19	6.38	4.80	3.77	0.38 x 0.50	2	3	2B	CREN2	12
45	CRX0045CC	1.20	140	7.12	5.19	6.38	4.80	3.77	0.38 x 0.50	2	3	2B	CREN2	24
46	CRX0046AC	0.21	40	6.50	5.00	6.13	4.38	4.00	0.28 x 0.38	1	3	1D	CREN1	11
	CRX0046BC	0.21	40	6.50	5.00	6.13	4.38	4.00	0.28 x 0.38	1	3	1D	CREN1	11
	CRX0046CC	0.36	60	6.50	5.00	6.13	4.38	4.00	0.28 x 0.38	1	3	1D	CREN1	11.5
	CRX0046DC	0.45	130	7.12	4.69	6.38	4.80	3.27	0.38 x 0.50	2	3	2A	CREN2	19
52	CRX0052AC	0.50	70	7.12	4.69	6.38	4.80	3.27	0.38 x 0.50	2	3	2A	CREN2	15
	CRX0052BC	0.43	85	7.12	4.69	6.38	4.80	3.27	0.38 x 0.50	2	3	2A	CREN2	17

All dimensions in inches
Refer to page 24-27 for drawings

Core and Coil Specification Charts *continued*

RMS Amp	Core & Coil	Inductance (mH)	Watts Loss	Width	Depth	Height	Mtg. Width	Mtg. Depth	Mtg. Slot w x d	Diagram Figure	Termination Style Ref.	Frame Size	Enclosure Part Number	Weight (lb)
52	CRX0052CC	0.91	130	7.12	5.19	6.38	4.80	3.77	0.38 x 0.50	2	3	2B	CREN2	25
	CRX0052DC	0.74	170	7.12	5.19	6.38	4.80	3.77	0.38 x 0.50	2	3	2B	CREN2	25
59	CRX0059AC	0.17	55	6.50	5.00	6.13	4.38	4.00	0.28 x 0.38	1	3	1D	CREN1	11.5
	CRX0059BC	0.22	85	7.25	5.88	5.63	4.80	3.27	0.38 x 0.50	3	4	3A	CREN2	18
	CRX0059CC	0.30	75	7.12	4.69	6.38	4.80	3.27	0.38 x 0.50	2	3	2A	CREN2	16
	CRX0059DC	0.36	110	7.25	6.00	5.63	4.80	3.77	0.38 x 0.50	3	4	3C	CREN2	25
62	CRX0062AC	0.45	130	7.12	4.69	6.38	4.80	3.27	0.38 x 0.50	2	3	2A	CREN2	19
	CRX0062BC	0.74	170	7.12	5.19	6.38	4.80	3.77	0.38 x 0.50	2	3	2B	CREN2	25
65	CRX0065AC	0.34	110	7.25	6.00	5.63	4.80	3.77	0.38 x 0.50	3	4	3C	CREN2	25
	CRX0065BC	0.57	120	7.25	6.00	5.63	4.80	3.77	0.38 x 0.50	3	4	3C	CREN2	25
75	CRX0075AC	0.12	70	7.25	5.88	5.63	4.80	3.27	0.38 x 0.50	3	4	3A	CREN2	17
	CRX0075BC	0.19	95	7.25	5.88	5.63	4.80	3.27	0.38 x 0.50	3	4	3A	CREN2	18
	CRX0075CC	0.22	85	7.25	5.88	5.63	4.80	3.27	0.38 x 0.50	3	4	3A	CREN2	18
	CRX0075DC	0.29	105	7.25	6.00	5.63	4.80	3.77	0.38 x 0.50	3	4	3C	CREN2	21
77	CRX0077AC	0.29	105	7.25	6.00	5.63	4.80	3.77	0.38 x 0.50	3	4	3C	CREN2	21
	CRX0077BC	0.36	110	7.25	6.00	5.63	4.80	3.77	0.38 x 0.50	3	4	3C	CREN2	25
	CRX0077CC	0.60	216	9.25	6.25	7.00	6.00	3.70	0.44 x 1.0	3	4	3E	CREN2	30
	CRX0077DC	0.49	160	7.25	6.00	5.63	4.80	3.77	0.38 x 0.50	3	4	3C	CREN2	24
88	CRX0088AC	0.12	70	7.25	5.88	5.63	4.80	3.27	0.38 x 0.50	3	4	3A	CREN2	17
	CRX0088BC	0.12	70	7.25	5.88	5.63	4.80	3.27	0.38 x 0.50	3	4	3A	CREN2	17
	CRX0088CC	0.19	95	7.25	5.88	5.63	4.80	3.27	0.38 x 0.50	3	4	3A	CREN2	18
	CRX0088DC	0.24	120	7.25	6.00	5.63	4.80	3.77	0.38 x 0.50	3	4	3C	CREN2	24
96	CRX0096AC	0.24	120	7.25	6.00	5.63	4.80	3.77	0.38 x 0.50	3	4	3C	CREN2	24
	CRX0096BC	0.39	170	9.25	8.25	7.00	6.00	5.70	0.44 x 1.0	3	4	3N	CREN2	49
99	CRX0099AC	0.28	125	7.25	6.00	5.63	4.80	3.77	0.38 x 0.50	3	4	3C	CREN2	26
	CRX0099BC	0.48	210	9.25	8.00	7.00	6.00	5.45	0.44 x 1.0	3	4	3L	CREN2	48
114	CRX0114AC	0.09	70	7.25	6.00	5.63	4.80	3.27	0.38 x 0.50	3	5	3B	CREN2	18
	CRX0114BC	0.11	140	9.25	6.75	7.00	6.00	3.83	0.44 x 1.0	3	5	3F	CREN2	28
	CRX0114CC	0.14	110	9.25	7.25	7.00	6.00	4.33	0.44 x 1.0	3	5	3J	CREN2	33
	CRX0114DC	0.19	190	10.80	8.25	10.00	7.20	5.21	0.44 x 1.0	4	5	4A	CRECH2	52
124	CRX0124AC	0.19	190	10.80	8.25	10.00	7.20	5.21	0.44 x 1.0	4	5	4A	CRECH2	52
	CRX0124BC	0.30	185	9.25	8.63	7.00	6.00	5.20	0.44 x 1.0	3	5	3Q	CREN2	48
125	CRX0125AC	0.23	160	9.25	7.63	7.00	6.00	4.70	0.44 x 1.0	3	5	3K	CREN2	41
	CRX0125BC	0.38	250	10.80	9.13	10.00	7.20	6.08	0.44 x 1.0	4	5	4C	CRECH2	67
143	CRX0143AC	0.07	88	7.25	6.00	5.63	4.80	3.27	0.38 x 0.50	3	5	3B	CREN2	20
	CRX0143BC	0.10	130	9.25	7.00	7.00	6.00	3.95	0.44 x 1.0	3	5	3H	CREN2	34
	CRX0143CC	0.11	140	9.25	6.75	7.00	6.00	3.83	0.44 x 1.0	3	5	3F	CREN2	28
	CRX0143DC	0.11	140	9.25	6.75	7.00	6.00	3.83	0.44 x 1.0	3	5	3F	CREN2	28
144	CRX0144AC	0.19	190	10.80	8.25	10.00	7.20	5.21	0.44 x 1.0	4	5	4A	CRECH2	52
	CRX0144BC	0.35	240	10.80	9.50	10.00	7.20	6.33	0.44 x 1.0	4	5	4D	CRECH4	74
156	CRX0156AC	0.15	210	9.25	7.00	7.00	6.00	4.08	0.44 x 1.0	3	5	3G	CREN2	32
	CRX0156BC	0.24	260	9.25	8.63	7.00	6.00	5.70	0.44 x 1.0	3	5	3R	CRECH2	32
170	CRX0170AC	0.06	100	7.25	6.25	5.63	4.80	3.77	0.38 x 0.50	3	5	3D	CREN2	23
	CRX0170BC	0.06	100	7.25	6.25	5.63	4.80	3.77	0.38 x 0.50	3	5	3D	CREN2	23
	CRX0170CC	0.10	130	9.25	7.00	7.00	6.00	3.95	0.44 x 1.0	3	5	3H	CREN2	34
	CRX0170DC	0.10	130	9.25	7.00	7.00	6.00	3.95	0.44 x 1.0	3	5	3H	CREN2	34
180	CRX0180AC	0.13	180	9.25	8.88	7.00	6.00	5.95	0.44 x 1.0	3	5	3S	CRECH2	54
	CRX0180BC	0.21	250	10.80	8.38	10.00	7.20	5.33	0.44 x 1.0	4	5	4B	CRECH2	63
192	CRX0192AC	0.15	200	9.25	8.25	7.00	6.00	5.45	0.44 x 1.0	3	5	3P	CRECH2	53
	CRX0192BC	0.25	325	10.80	10.50	10.00	7.20	7.33	0.44 x 1.0	4	5	4E	CRECH2	90
200	CRX0200CC	0.11	195	9.25	7.63	7.00	6.00	4.70	0.44 x 1.0	3	5	3K	CRECH2	44

All dimensions in inches
Refer to page 24-27 for drawings

Core and Coil Specification Charts *continued*

RMS Amp	Core & Coil	Inductance (mH)	Watts Loss	Width	Depth	Height	Mtg. Width	Mtg. Depth	Mtg. Slot w x d	Diagram Figure	Termination Style Ref.	Frame Size	Enclosure Part Number	Weight (lb)
211	CRX0211AC	0.05	125	7.25	6.25	5.63	4.80	3.77	0.38 x 0.50	3	5	3D	CREN2	24
	CRX0211BC	0.05	125	7.25	6.25	5.63	4.80	3.77	0.38 x 0.50	3	5	3D	CREN2	24
	CRX0211CC	0.08	180	9.25	7.63	7.00	6.00	4.70	0.44 x 1.0	3	5	3K	CRECH2	39
	CRX0211DC	0.10	225	11.05	8.25	10.00	7.20	5.21	0.44 x 1.0	4	5	4G	CRECH2	58
240	CRX0240AC	0.10	225	11.05	8.25	10.00	7.20	5.21	0.44 x 1.0	4	5	4G	CRECH2	58
	CRX0240BC	0.16	435	13.75	11.63	12.50	9.00	8.70	0.44 x 1.0	4	5	4V	CRECH4	155
242	CRX0242AC	0.12	275	11.05	8.25	10.00	7.20	5.08	0.44 x 1.0	4	5	4F	CRECH2	59
	CRX0242BC	0.20	360	11.05	9.50	10.00	7.20	6.46	0.44 x 1.0	4	5	4M	CRECH4	87
273	CRX0273AC	0.04	130	9.25	8.13	7.00	6.00	5.20	0.44 x 1.0	3	5	3M	CRECH2	43
	CRX0273BC	0.04	130	9.25	8.13	7.00	6.00	5.20	0.44 x 1.0	3	5	3M	CRECH2	43
	CRX0273CC	0.06	200	11.05	9.13	10.00	7.20	6.08	0.44 x 1.0	4	5	4L	CRECH4	67
	CRX0273DC	0.08	310	13.75	9.00	12.50	9.00	6.05	0.44 x 1.0	4	5	4M	CRECH4	84
289	CRX0289AC	0.10	290	11.05	9.00	10.00	7.20	5.96	0.44 x 1.0	4	5	4K	CRECH4	75
	CRX0289BC	0.16	435	13.75	11.63	12.50	9.00	8.70	0.44 x 1.0	4	5	4V	CRECH4	155
302	CRX0302AC	0.08	310	13.75	9.00	12.50	9.00	6.05	0.44 x 1.0	4	5	4M	CRECH4	84
	CRX0302BC	0.13	475	13.75	11.38	14.50	9.00	8.42	0.44 x 1.0	4	5	4AA	CRECH4	171
336	CRX0336AC	0.08	360	13.75	9.38	14.50	9.00	6.42	0.44 x 1.0	4	5	4W	CRECH4	110
	CRX0336BC	0.13	475	13.75	11.38	14.50	9.00	8.42	0.44 x 1.0	4	5	4AA	CRECH4	171
343	CRX0343AC	0.03	200	11.05	8.63	10.00	7.20	5.58	0.44 x 1.0	4	5	4H	CRECH4	57
	CRX0343BC	0.03	200	11.05	8.63	10.00	7.20	5.58	0.44 x 1.0	4	5	4H	CRECH4	57
	CRX0343CC	0.05	230	11.05	8.88	10.00	7.20	5.83	0.44 x 1.0	4	5	4J	CRECH4	66
	CRX0343DC	0.06	325	13.75	9.38	12.50	9.00	6.42	0.44 x 1.0	4	5	4Q	CRECH4	95
361	CRX0361AC	0.06	325	13.75	9.38	12.50	9.00	6.42	0.44 x 1.0	4	5	4Q	CRECH4	95
	CRX0361BC	0.10	445	13.75	11.38	12.50	9.00	8.42	0.44 x 1.0	4	5	4U	CRECH5	147
382	CRX0382AC	0.07	435	13.75	10.38	12.50	9.00	7.30	0.44 x 1.0	4	5	4S	CRECH5	116
	CRX0382BC	0.12	580	13.75	11.50	14.50	9.00	8.67	0.44 x 1.0	4	5	4AB	CRECH5	180
396	CRX0396AC	0.03	200	11.05	8.63	10.00	7.20	5.58	0.44 x 1.0	4	5	4H	CRECH4	57
	CRX0396BC	0.03	200	11.05	8.63	10.00	7.20	5.58	0.44 x 1.0	4	5	4H	CRECH4	57
	CRX0396CC	0.04	300	13.75	9.38	12.50	9.00	6.42	0.44 x 1.0	4	5	4Q	CRECH4	92
	CRX0396DC	0.04	300	13.75	9.38	12.50	9.00	6.42	0.44 x 1.0	4	5	4Q	CRECH4	92
412	CRX0412AC	0.07	435	13.75	10.38	12.50	9.00	7.30	0.44 x 1.0	4	5	4S	CRECH5	116
	CRX0412BC	0.11	550	13.75	10.88	12.50	9.00	7.92	0.44 x 1.0	4	5	4T	CRECH5	146
414	CRX0414AC	0.06	400	13.75	10.13	12.50	9.00	7.17	0.44 x 1.0	4	5	4R	CRECH5	125
	CRX0414BC	0.08	505	13.75	11.38	12.50	9.00	8.42	0.44 x 1.0	4	5	4U	CRECH5	143
472	CRX0472AC	0.06	400	13.75	10.13	12.50	9.00	7.17	0.44 x 1.0	4	5	4R	CRECH5	125
	CRX0472BC	0.10	560	13.75	11.63	12.50	9.00	8.70	0.44 x 1.0	4	5	4V	CRECH5	171
477	CRX0477AC	0.05	420	13.75	10.88	14.50	9.00	7.42	0.44 x 1.0	4	6	4Z	CRECH6	145
	CRX0477BC	0.08	600	13.75	13.38	14.50	9.00	9.92	0.44 x 1.0	4	6	4AC	CRECH6	220
515	CRX0515AC	0.05	420	13.75	10.88	14.50	9.00	7.42	0.44 x 1.0	4	6	4Z	CRECH6	145
	CRX0515BC	0.08	600	13.75	13.38	14.50	9.00	9.92	0.44 x 1.0	4	6	4AC	CRECH6	220
528	CRX0528AC	0.02	220	13.75	9.38	12.50	9.00	5.70	0.44 x 1.0	4	6	4P	CRECH5	74
	CRX0528BC	0.02	220	13.75	9.38	12.50	9.00	5.70	0.44 x 1.0	4	6	4P	CRECH5	74
	CRX0528CC	0.03	355	13.75	9.63	14.50	9.00	6.17	0.44 x 1.0	4	6	4X	CRECH5	102
	CRX0528DC	0.04	495	13.75	10.63	14.50	9.00	7.17	0.44 x 1.0	4	6	4Y	CRECH5	133
590	CRX0590AC	0.04	495	13.75	10.63	14.50	9.00	7.17	0.44 x 1.0	4	6	4Y	CRECH5	133
	CRX0590BC	0.06	680	13.75	13.38	14.50	9.00	9.92	0.44 x 1.0	4	6	4AC	CRECH6	220
720	CRX0720AC	0.03	480	13.75	11.63	14.50	9.00	7.17	0.44 x 1.0	5	6	5A	CRECH6	145
840	CRX0840AC	0.03	570	13.75	11.88	14.50	9.00	7.17	0.44 x 1.0	5	6	5B	CRECH6	150
960	CRX0960AC	0.02	675	17.75	13.75	18.50	12.00	7.42	0.44 x 1.0	5	7	5D	CRECH6	270
1080	CRX1080AC	0.02	675	17.75	13.75	18.50	12.00	7.42	0.44 x 1.0	5	7	5D	CRECH6	270
1200	CRX1200AC	0.02	710	17.75	13.25	18.50	12.00	6.92	0.44 x 1.0	5	7	5C	CRECH6	250

All dimensions in inches
Refer to page 24-27 for drawings

Enclosed Specification Charts

RMS Amp	Enclosed	Inductance (mH)	Watts Loss	Width	Depth	Height	Mtg. Width	Mtg. Depth	Mtg. Slot w x d	Enclosure Style	Termination Style Ref.	Weight (lb)
1	CRX0001AE	27.20	21	10.00	10.00	8.13	7.00	6.00	0.188	N1	1	7.50
	CRX0001BE	47.09	12	10.00	10.00	8.13	7.00	6.00	0.188	N1	1	7.50
1.1	CRX01D1AE	20.36	12	10.00	10.00	8.13	7.00	6.00	0.188	N1	1	7.50
	CRX01D1BE	33.94	15	10.00	10.00	8.13	7.00	6.00	0.188	N1	1	7.50
1.4	CRX01D4AE	20.36	12	10.00	10.00	8.13	7.00	6.00	0.188	N1	1	7.50
	CRX01D4BE	33.94	15	10.00	10.00	8.13	7.00	6.00	0.188	N1	1	7.50
1.6	CRX01D6AE	14.91	15	10.00	10.00	8.13	7.00	6.00	0.188	N1	1	7.50
	CRX01D6BE	23.55	12	10.00	10.00	8.13	7.00	6.00	0.188	N1	1	7.50
1.8	CRX01D8AE	14.91	15	10.00	10.00	8.13	7.00	6.00	0.188	N1	1	7.50
	CRX01D8BE	27.20	21	10.00	10.00	8.13	7.00	6.00	0.188	N1	1	7.50
2	CRX0002CE	20.00	15	10.00	10.00	8.13	7.00	6.00	0.188	N1	1	8.00
2.1	CRX02D1AE	10.61	19	10.00	10.00	8.13	7.00	6.00	0.188	N1	1	7.50
	CRX02D1BE	17.83	21	10.00	10.00	8.13	7.00	6.00	0.188	N1	1	8.00
2.4	CRX02D4AE	4.67	29	10.00	10.00	8.13	7.00	6.00	0.188	N1	1	8.00
	CRX02D4BE	4.08	9	10.00	10.00	8.13	7.00	6.00	0.188	N1	1	7.50
	CRX02D4CE	7.06	22	10.00	10.00	8.13	7.00	6.00	0.188	N1	1	8.00
	CRX02D4DE	7.06	22	10.00	10.00	8.13	7.00	6.00	0.188	N1	1	8.00
2.6	CRX02D6AE	10.61	35	10.00	10.00	8.13	7.00	6.00	0.188	N1	1	8.00
	CRX02D6BE	17.83	21	10.00	10.00	8.13	7.00	6.00	0.188	N1	1	8.00
2.7	CRX02D7AE	10.61	19	10.00	10.00	8.13	7.00	6.00	0.188	N1	1	7.50
	CRX02D7BE	17.83	21	10.00	10.00	8.13	7.00	6.00	0.188	N1	1	8.00
3	CRX0003AE	7.06	22	10.00	10.00	8.13	7.00	6.00	0.188	N1	1	8.00
	CRX0003BE	10.61	35	10.00	10.00	8.13	7.00	6.00	0.188	N1	1	8.00
3.4	CRX03D4AE	7.06	22	10.00	10.00	8.13	7.00	6.00	0.188	N1	1	8.00
	CRX03D4BE	10.61	35	10.00	10.00	8.13	7.00	6.00	0.188	N1	1	8.00
3.5	CRX03D5AE	2.80	15	10.00	10.00	8.13	7.00	6.00	0.188	N1	1	7.50
	CRX03D5BE	3.55	18	10.00	10.00	8.13	7.00	6.00	0.188	N1	1	7.50
	CRX03D5CE	5.09	40	10.00	10.00	8.13	7.00	6.00	0.188	N1	2	16.00
	CRX03D5DE	4.67	29	10.00	10.00	8.13	7.00	6.00	0.188	N1	1	8.00
3.9	CRX03D9AE	7.06	22	10.00	10.00	8.13	7.00	6.00	0.188	N1	1	8.00
	CRX03D9BE	10.61	35	10.00	10.00	8.13	7.00	6.00	0.188	N1	1	8.00
4	CRX0004CE	9.10	26	10.00	10.00	8.13	7.00	6.00	0.188	N1	1	8.00
4.6	CRX04D6AE	2.13	15	10.00	10.00	8.13	7.00	6.00	0.188	N1	1	7.50
	CRX04D6BE	2.13	15	10.00	10.00	8.13	7.00	6.00	0.188	N1	1	7.50
	CRX04D6CE	3.55	18	10.00	10.00	8.13	7.00	6.00	0.188	N1	1	7.50
	CRX04D6DE	4.67	29	10.00	10.00	8.13	7.00	6.00	0.188	N1	1	8.00
4.8	CRX04D8AE	4.70	22	10.00	10.00	8.13	7.00	6.00	0.188	N1	1	8.00
	CRX04D8BE	7.78	35	10.00	10.00	8.13	7.00	6.00	0.188	N1	1	9.50
6.1	CRX06D1AE	4.67	29	10.00	10.00	8.13	7.00	6.00	0.188	N1	1	8.00
	CRX06D1BE	7.78	35	10.00	10.00	8.13	7.00	6.00	0.188	N1	1	9.50
6.6	CRX06D6AE	1.48	18	10.00	10.00	8.13	7.00	6.00	0.188	N1	1	7.50
	CRX06D6BE	1.48	18	10.00	10.00	8.13	7.00	6.00	0.188	N1	1	7.50
	CRX06D6CE	2.33	24	10.00	10.00	8.13	7.00	6.00	0.188	N1	1	8.00
	CRX06D6DE	3.06	31	10.00	10.00	8.13	7.00	6.00	0.188	N1	1	9.50
7.5	CRX07D5AE	1.31	18	10.00	10.00	8.13	7.00	6.00	0.188	N1	1	7.50
	CRX07D5BE	1.53	25	10.00	10.00	8.13	7.00	6.00	0.188	N1	2	9.50
	CRX07D5CE	2.33	24	10.00	10.00	8.13	7.00	6.00	0.188	N1	1	8.00
	CRX07D5DE	2.33	24	10.00	10.00	8.13	7.00	6.00	0.188	N1	1	8.00
7.6	CRX07D6AE	3.06	31	10.00	10.00	8.13	7.00	6.00	0.188	N1	1	9.50
	CRX07D6BE	5.09	40	10.00	10.00	8.13	7.00	6.00	0.188	N1	2	16.00
8	CRX0008CE	7.50	39	10.00	10.00	8.13	7.00	6.00	0.188	N1	2	17.00

All dimensions in inches
Refer to page 27-28 for drawings

Enclosed Specification Charts *continued*

RMS Amp	Enclosed	Inductance (mH)	Watts Loss	Width	Depth	Height	Mtg. Width	Mtg. Depth	Mtg. Slot w x d	Enclosure Style	Termination Style Ref.	Weight (lb)
9	CRX0009AE	3.06	31	10.00	10.00	8.13	7.00	6.00	0.188	N1	1	9.50
	CRX0009BE	5.09	40	10.00	10.00	8.13	7.00	6.00	0.188	N1	2	16.00
10.7	CRX10D7AE	0.95	30	10.00	10.00	8.13	7.00	6.00	0.188	N1	2	9.50
	CRX10D7BE	0.95	30	10.00	10.00	8.13	7.00	6.00	0.188	N1	2	9.50
	CRX10D7CE	1.64	37	10.00	10.00	8.13	7.00	6.00	0.188	N1	2	9.50
	CRX10D7DE	1.53	25	10.00	10.00	8.13	7.00	6.00	0.188	N1	2	9.50
11	CRX0011AE	2.57	36	10.00	10.00	8.13	7.00	6.00	0.188	N1	2	10.00
	CRX0011BE	2.10	31	10.00	10.00	8.13	7.00	6.00	0.188	N1	2	9.50
	CRX0011CE	3.40	39	10.00	10.00	8.13	7.00	6.00	0.188	N1	2	16.00
	CRX0011DE	4.28	45	10.00	10.00	8.13	7.00	6.00	0.188	N1	2	16.00
12	CRX0012CE	4.20	52	10.00	10.00	8.13	7.00	6.00	0.188	N1	2	17.00
14	CRX0014AE	1.64	37	10.00	10.00	8.13	7.00	6.00	0.188	N1	2	9.50
	CRX0014BE	2.73	57	10.00	10.00	8.13	7.00	6.00	0.188	N1	2	16.50
16.7	CRX16D7AE	0.59	30	10.00	10.00	8.13	7.00	6.00	0.188	N1	2	9.50
	CRX16D7BE	0.59	30	10.00	10.00	8.13	7.00	6.00	0.188	N1	2	9.50
	CRX16D7CE	1.06	57	10.00	10.00	8.13	7.00	6.00	0.188	N1	3	16.50
	CRX16D7DE	0.95	30	10.00	10.00	8.13	7.00	6.00	0.188	N1	2	9.50
17	CRX0017AE	1.66	51	10.00	10.00	8.13	7.00	6.00	0.188	N1	2	15.50
	CRX0017BE	2.73	57	10.00	10.00	8.13	7.00	6.00	0.188	N1	2	16.50
21	CRX0021AE	1.06	57	10.00	10.00	8.13	7.00	6.00	0.188	N1	3	16.50
	CRX0021BE	1.80	57	10.00	10.00	8.13	7.00	6.00	0.188	N1	2	16.50
22	CRX0022AE	1.28	51	10.00	10.00	8.13	7.00	6.00	0.188	N1	2	16.00
	CRX0022BE	2.14	77	10.00	10.00	8.13	7.00	6.00	0.188	N1	2	17.00
24	CRX0024AE	0.41	35	10.00	10.00	8.13	7.00	6.00	0.188	N1	2	9.50
	CRX0024BE	0.55	68	10.00	10.00	8.13	7.00	6.00	0.188	N1	3	17.00
	CRX0024CE	0.68	47	10.00	10.00	8.13	7.00	6.00	0.188	N1	2	16.00
	CRX0024DE	0.86	60	10.00	10.00	8.13	7.00	6.00	0.188	N1	2	15.50
27	CRX0027AE	1.06	57	10.00	10.00	8.13	7.00	6.00	0.188	N1	3	16.50
	CRX0027BE	0.86	60	10.00	10.00	8.13	7.00	6.00	0.188	N1	2	15.50
	CRX0027CE	1.40	57	10.00	10.00	8.13	7.00	6.00	0.188	N1	3	17.50
	CRX0027DE	1.77	93	14.00	14.00	12.13	10.00	10.50	0.188	N2	3	21.50
31	CRX0031AE	0.32	31	10.00	10.00	8.13	7.00	6.00	0.188	N1	3	15.50
	CRX0031BE	0.32	31	10.00	10.00	8.13	7.00	6.00	0.188	N1	3	15.50
	CRX0031CE	0.55	68	10.00	10.00	8.13	7.00	6.00	0.188	N1	3	17.00
	CRX0031DE	0.68	80	10.00	10.00	8.13	7.00	6.00	0.188	N1	3	17.50
32	CRX0032AE	0.88	68	10.00	10.00	8.13	7.00	6.00	0.188	N1	3	17.00
	CRX0032BE	1.43	80	14.00	14.00	12.13	10.00	10.50	0.188	N2	3	22.50
34	CRX0034AE	0.68	80	10.00	10.00	8.13	7.00	6.00	0.188	N1	3	17.50
	CRX0034BE	1.13	115	14.00	14.00	12.13	10.00	10.50	0.188	N2	3	22.00
35	CRX0035CE	1.70	93	14.00	14.00	12.13	10.00	10.50	0.188	N2	3	34.00
40	CRX0040AE	0.55	68	10.00	10.00	8.13	7.00	6.00	0.188	N1	3	17.00
	CRX0040BE	0.94	105	14.00	14.00	12.13	10.00	10.50	0.188	N2	3	22.50
41	CRX0041AE	0.68	80	10.00	10.00	8.13	7.00	6.00	0.188	N1	3	17.50
	CRX0041BE	1.13	115	14.00	14.00	12.13	10.00	10.50	0.188	N2	3	22.00
45	CRX0045CE	1.20	140	14.00	14.00	12.13	10.00	10.50	0.188	N2	3	34.00
46	CRX0046AE	0.21	40	10.00	10.00	8.13	7.00	6.00	0.188	N1	3	16.00
	CRX0046BE	0.21	40	10.00	10.00	8.13	7.00	6.00	0.188	N1	3	16.00
	CRX0046CE	0.36	60	10.00	10.00	8.13	7.00	6.00	0.188	N1	3	16.50
	CRX0046DE	0.45	130	14.00	14.00	12.13	10.00	10.50	0.188	N2	3	29.00
52	CRX0052AE	0.50	70	14.00	14.00	12.13	10.00	10.50	0.188	N2	3	25.00
	CRX0052BE	0.43	85	14.00	14.00	12.13	10.00	10.50	0.188	N2	3	27.00

All dimensions in inches
Refer to page 27-28 for drawings

Enclosed Specification Charts *continued*

RMS Amp	Enclosed	Inductance (mH)	Watts Loss	Width	Depth	Height	Mtg. Width	Mtg. Depth	Mtg. Slot w x d	Enclosure Style	Termination Style Ref.	Weight (lb)
52	CRX0052CE	0.91	130	14.00	14.00	12.13	10.00	10.50	0.188	N2	3	35.00
	CRX0052DE	0.74	170	14.00	14.00	12.13	10.00	10.50	0.188	N2	3	35.00
59	CRX0059AE	0.17	55	10.00	10.00	8.13	7.00	6.00	0.188	N1	3	16.50
	CRX0059BE	0.22	85	14.00	14.00	12.13	10.00	10.50	0.188	N2	4	28.00
	CRX0059CE	0.30	75	14.00	14.00	12.13	10.00	10.50	0.188	N2	3	26.00
	CRX0059DE	0.36	110	14.00	14.00	12.13	10.00	10.50	0.188	N2	4	35.00
62	CRX0062AE	0.45	130	14.00	14.00	12.13	10.00	10.50	0.188	N2	3	29.00
	CRX0062BE	0.74	170	14.00	14.00	12.13	10.00	10.50	0.188	N2	3	35.00
65	CRX0065AE	0.34	110	14.00	14.00	12.13	10.00	10.50	0.188	N2	4	35.00
	CRX0065BE	0.57	120	14.00	14.00	12.13	10.00	10.50	0.188	N2	4	35.00
75	CRX0075AE	0.12	70	14.00	14.00	12.13	10.00	10.50	0.188	N2	4	27.00
	CRX0075BE	0.19	95	14.00	14.00	12.13	10.00	10.50	0.188	N2	4	28.00
	CRX0075CE	0.22	85	14.00	14.00	12.13	10.00	10.50	0.188	N2	4	28.00
	CRX0075DE	0.29	105	14.00	14.00	12.13	10.00	10.50	0.188	N2	4	31.00
77	CRX0077AE	0.29	105	14.00	14.00	12.13	10.00	10.50	0.188	N2	4	31.00
	CRX0077BE	0.36	110	14.00	14.00	12.13	10.00	10.50	0.188	N2	4	35.00
	CRX0077CE	0.60	216	14.00	14.00	12.13	10.00	10.50	0.188	N2	4	40.00
	CRX0077DE	0.49	160	14.00	14.00	12.13	10.00	10.50	0.188	N2	4	34.00
88	CRX0088AE	0.12	70	14.00	14.00	12.13	10.00	10.50	0.188	N2	4	27.00
	CRX0088BE	0.12	70	14.00	14.00	12.13	10.00	10.50	0.188	N2	4	27.00
	CRX0088CE	0.19	95	14.00	14.00	12.13	10.00	10.50	0.188	N2	4	28.00
	CRX0088DE	0.24	120	14.00	14.00	12.13	10.00	10.50	0.188	N2	4	34.00
96	CRX0096AE	0.24	120	14.00	14.00	12.13	10.00	10.50	0.188	N2	4	34.00
	CRX0096BE	0.39	170	14.00	14.00	12.13	10.00	10.50	0.188	N2	4	59.00
99	CRX0099AE	0.28	125	14.00	14.00	12.13	10.00	10.50	0.188	N2	4	36.00
	CRX0099BE	0.48	210	14.00	14.00	12.13	10.00	10.50	0.188	N2	4	58.00
114	CRX0114AE	0.09	70	14.00	14.00	12.13	10.00	10.50	0.188	N2	5	28.00
	CRX0114BE	0.11	140	14.00	14.00	12.13	10.00	10.50	0.188	N2	5	38.00
	CRX0114CE	0.14	110	14.00	14.00	12.13	10.00	10.50	0.188	N2	5	43.00
	CRX0114DE	0.19	190	23.50	16.50	17.90	22.40	6.50	0.56	CH2	5	83.00
124	CRX0124AE	0.19	190	23.50	16.50	17.90	22.40	6.50	0.56	CH2	5	83.00
	CRX0124BE	0.30	185	14.00	14.00	12.13	10.00	10.50	0.188	N2	5	58.00
125	CRX0125AE	0.23	160	14.00	14.00	12.13	10.00	10.50	0.188	N2	5	51.00
	CRX0125BE	0.38	250	23.50	16.50	17.90	22.40	6.50	0.56	CH2	5	98.00
143	CRX0143AE	0.07	88	14.00	14.00	12.13	10.00	10.50	0.188	N2	5	30.00
	CRX0143BE	0.10	130	14.00	14.00	12.13	10.00	10.50	0.188	N2	5	44.00
	CRX0143CE	0.11	140	14.00	14.00	12.13	10.00	10.50	0.188	N2	5	38.00
	CRX0143DE	0.11	140	14.00	14.00	12.13	10.00	10.50	0.188	N2	5	38.00
144	CRX0144AE	0.19	190	23.50	16.50	17.90	22.40	6.50	0.56	CH2	5	83.00
	CRX0144BE	0.35	240	26.10	20.50	25.90	25.00	6.50	0.56	CH4	5	114.00
156	CRX0156AE	0.15	210	14.00	14.00	12.13	10.00	10.50	0.188	N2	5	42.00
	CRX0156BE	0.24	260	23.50	16.50	17.90	22.40	6.50	0.56	CH2	5	63.00
170	CRX0170AE	0.06	100	14.00	14.00	12.13	10.00	10.50	0.188	N2	5	33.00
	CRX0170BE	0.06	100	14.00	14.00	12.13	10.00	10.50	0.188	N2	5	33.00
	CRX0170CE	0.10	130	14.00	14.00	12.13	10.00	10.50	0.188	N2	5	44.00
	CRX0170DE	0.10	130	14.00	14.00	12.13	10.00	10.50	0.188	N2	5	44.00
180	CRX0180AE	0.13	180	23.50	16.50	17.90	22.40	6.50	0.56	CH2	5	85.00
	CRX0180BE	0.21	250	23.50	16.50	17.90	22.40	6.50	0.56	CH2	5	94.00
192	CRX0192AE	0.15	200	23.50	16.50	17.90	22.40	6.50	0.56	CH2	5	84.00
	CRX0192BE	0.25	325	23.50	16.50	17.90	22.40	6.50	0.56	CH2	5	121.00
200	CRX0200CE	0.11	195	23.50	16.50	17.90	22.40	6.50	0.56	CH2	5	75.00

All dimensions in inches
Refer to page 27-28 for drawings

Enclosed Specification Charts *continued*

RMS Amp	Enclosed	Inductance (mH)	Watts Loss	Width	Depth	Height	Mtg. Width	Mtg. Depth	Mtg. Slot w x d	Enclosure Style	Termination Style Ref.	Weight (lb)
211	CRX0211AE	0.05	125	14.00	14.00	12.13	10.00	10.50	0.188	N2	5	34.00
	CRX0211BE	0.05	125	14.00	14.00	12.13	10.00	10.50	0.188	N2	5	34.00
	CRX0211CE	0.08	180	23.50	16.50	17.90	22.40	6.50	0.56	CH2	5	70.00
	CRX0211DE	0.10	225	23.50	16.50	17.90	22.40	6.50	0.56	CH2	5	89.00
240	CRX0240AE	0.10	225	23.50	16.50	17.90	22.40	6.50	0.56	CH2	5	89.00
	CRX0240BE	0.16	435	26.10	20.50	25.90	25.00	6.50	0.56	CH4	5	195.00
242	CRX0242AE	0.12	275	23.50	16.50	17.90	22.40	6.50	0.56	CH2	5	90.00
	CRX0242BE	0.20	360	26.10	20.50	25.90	25.00	6.50	0.56	CH4	5	127.00
273	CRX0273AE	0.04	130	23.50	16.50	17.90	22.40	6.50	0.56	CH2	5	74.00
	CRX0273BE	0.04	130	23.50	16.50	17.90	22.40	6.50	0.56	CH2	5	74.00
	CRX0273CE	0.06	200	26.10	20.50	25.90	25.00	6.50	0.56	CH4	5	107.00
	CRX0273DE	0.08	310	26.10	20.50	25.90	25.00	6.50	0.56	CH4	5	124.00
289	CRX0289AE	0.10	290	26.10	20.50	25.90	25.00	6.50	0.56	CH4	5	115.00
	CRX0289BE	0.16	435	26.10	20.50	25.90	25.00	6.50	0.56	CH4	5	195.00
302	CRX0302AE	0.08	310	26.10	20.50	25.90	25.00	6.50	0.56	CH4	5	124.00
	CRX0302BE	0.13	475	26.10	20.50	25.90	25.00	6.50	0.56	CH4	5	211.00
336	CRX0336AE	0.08	360	26.10	20.50	25.90	25.00	6.50	0.56	CH4	5	150.00
	CRX0336BE	0.13	475	26.10	20.50	25.90	25.00	6.50	0.56	CH4	5	211.00
343	CRX0343AE	0.03	200	26.10	20.50	25.90	25.00	6.50	0.56	CH4	5	97.00
	CRX0343BE	0.03	200	26.10	20.50	25.90	25.00	6.50	0.56	CH4	5	97.00
	CRX0343CE	0.05	230	26.10	20.50	25.90	25.00	6.50	0.56	CH4	5	106.00
	CRX0343DE	0.06	325	26.10	20.50	25.90	25.00	6.50	0.56	CH4	5	135.00
361	CRX0361AE	0.06	325	26.10	20.50	25.90	25.00	6.50	0.56	CH4	5	135.00
	CRX0361BE	0.10	445	28.10	21.30	28.90	27.00	6.50	0.56	CH5	5	203.00
382	CRX0382AE	0.07	435	28.10	21.30	28.90	27.00	6.50	0.56	CH5	5	172.00
	CRX0382BE	0.12	580	28.10	21.30	28.90	27.00	6.50	0.56	CH5	5	236.00
396	CRX0396AE	0.03	200	26.10	20.50	25.90	25.00	6.50	0.56	CH4	5	97.00
	CRX0396BE	0.03	200	26.10	20.50	25.90	25.00	6.50	0.56	CH4	5	97.00
	CRX0396CE	0.04	300	26.10	20.50	25.90	25.00	6.50	0.56	CH4	5	132.00
	CRX0396DE	0.04	300	26.10	20.50	25.90	25.00	6.50	0.56	CH4	5	132.00
412	CRX0412AE	0.07	435	28.10	21.30	28.90	27.00	6.50	0.56	CH5	5	172.00
	CRX0412BE	0.11	550	28.10	21.30	28.90	27.00	6.50	0.56	CH5	5	202.00
414	CRX0414AE	0.06	400	28.10	21.30	28.90	27.00	6.50	0.56	CH5	5	181.00
	CRX0414BE	0.08	505	28.10	21.30	28.90	27.00	6.50	0.56	CH5	5	199.00
472	CRX0472AE	0.06	400	28.10	21.30	28.90	27.00	6.50	0.56	CH5	5	181.00
	CRX0472BE	0.10	560	28.10	21.30	28.90	27.00	6.50	0.56	CH5	5	227.00
477	CRX0477AE	0.05	420	33.50	23.00	31.20	32.50	9.00	0.56	CH6	6	231.00
	CRX0477BE	0.08	600	33.50	23.00	31.20	32.50	9.00	0.56	CH6	6	306.00
515	CRX0515AE	0.05	420	33.50	23.00	31.20	32.50	9.00	0.56	CH6	6	231.00
	CRX0515BE	0.08	600	33.50	23.00	31.20	32.50	9.00	0.56	CH6	6	306.00
528	CRX0528AE	0.02	220	28.10	21.30	28.90	27.00	6.50	0.56	CH5	6	130.00
	CRX0528BE	0.02	220	28.10	21.30	28.90	27.00	6.50	0.56	CH5	6	130.00
	CRX0528CE	0.03	355	28.10	21.30	28.90	27.00	6.50	0.56	CH5	6	158.00
	CRX0528DE	0.04	495	28.10	21.30	28.90	27.00	6.50	0.56	CH5	6	189.00
590	CRX0590AE	0.04	495	28.10	21.30	28.90	27.00	6.50	0.56	CH5	6	189.00
	CRX0590BE	0.06	680	33.50	23.00	31.20	32.50	9.00	0.56	CH6	6	306.00
720	CRX0720AE	0.03	480	33.50	23.00	31.20	32.50	9.00	0.56	CH6	6	231.00
840	CRX0840AE	0.03	570	33.50	23.00	31.20	32.50	9.00	0.56	CH6	6	236.00
960	CRX0960AE	0.02	675	33.50	23.00	31.20	32.50	9.00	0.56	CH6	7	356.00
1080	CRX1080AE	0.02	675	33.50	23.00	31.20	32.50	9.00	0.56	CH6	7	356.00
1200	CRX1200AE	0.02	710	33.50	23.00	31.20	32.50	9.00	0.56	CH6	7	336.00

All dimensions in inches
Refer to page 27-28 for drawings

Receiving & Inspection

Before any equipment is off-loaded, reactors should first be inspected for correctness of shipping information. Confirm that the identifying part number on the nameplate of the reactor matches the packing list and Bill of Lading.

Inspect the reactors immediately upon receipt for evidence of damage or indication of rough handling that may have been caused during shipment.

Examination should be made before removing reactors from shipping vehicles. Inspection should also be made for any evidence of water or other contaminants that may have entered the reactor during transit. A claim should be filed with the carrier at once and the manufacturer should be notified.

Reactors are shipped either as a core and coil assembly, partially assembled inside an enclosure or completely assembled in a sheet metal enclosure. All parts and components are either packaged in a carton box, or wrapped in clear plastic sheets and covered with a shipping tarpaulin.

Once the unit has been received, proceed with an internal inspection (remove the covers or panels if enclosed) for any evidence of damaged or displaced parts, loose or broken connections, damaged terminal boards, dirt or foreign materials and for the presence of any water or moisture. If any damage is evident, contact the reactor manufacturer or your representative immediately.

Lifting Procedures



WARNING

Failure to follow lifting procedures can result in death, serious injury, or damage the reactor and enclosure.

Smaller units and assemblies are shipped in either carton boxes or on wooden pallets surrounded by a plastic wrap. The wood crate is suitable for moving with a forklift. For larger reactors and assemblies, an overhead crane is essential.

When lifting, **never lift by the case only** unless there are clear instructions to the contrary. Reactors are most frequently supplied as a core & coil. However if supplied with a 'knock down' enclosure, enclosure roof panels, side access panels and cover should be removed. Lifting of the core and coil assembly should be done via the lifting provisions on the core of the reactor. Care should be taken to avoid damage due to a height restriction. You will require at least 4-5 feet of clearance from the top of the enclosure or lifting eyes - including the spreader bars, to facilitate lifting.

continued on following page

Lifting Procedures *continued*



Shouldered
Eye Bolts



Lifting Angle

FIGURE 1

The reactor core and coils, and assembled enclosures, are designed for lifting/fork lifting, unless other provisions have been requested. Ensure forks extend completely under the enclosure.

Some care should be taken when handling the enclosure due to the lighter mechanical nature of the frames and panels.

Storage



WARNING

Failure to follow storage requirements can result in death or serious injury, and/or substantial property damage.

Reactors must be stored in a warm, dry location, free of dust or airborne contaminants. The relative humidity to which the insulating materials are exposed should be kept as low as practical.

The floor on which the reactor is stored should be impervious to the upward migration of water vapor. Take precaution to guard against water from any source such as roof leaks, broken water or steam lines, windows, etc. It is not recommended that dry-type units be stored outdoors. If that is unavoidable, reactors must be properly protected from snow, rain, and other elements. Protection should include an initial wrap of first quality canvas with a final outside covering of plastic tarpaulin. It would also be desirable to include a desiccant such as a silica gel dry-out system to reduce the moisture content inside the assembly. If reactors are stored outdoors, dry-out is recommended before energizing as described on the following page.

Installation Precautions



WARNING

Failure to follow installation precautions can result in death or personal injury and can damage the reactor or enclosure.

1. It is recommended that anti-vibration pads or other vibration isolation devices be present when installing reactors. When installing the anti-vibration pads beneath reactors base bracket, ensure the reactor is lifted by the core & coil only (refer to "Lifting Procedures).
2. Cable type, size and entry location shall conform to Local Electrical Codes.
3. Terminal blocks and terminals shall not be used to support the weight of the line or load cables.
4. Maintain the appropriate clearance between supply cables and live parts of reactor. (Refer to Field Testing)
5. It is recommended that the supply or load cables come in or exit from the bottom or side and shall not block ventilation openings.
6. If any drilling, grinding or painting needs to be done, the core and coil assembly must be protected by a cover sheet (e.g. Tarp) so that nothing can land on or inside the coil.
7. Do not replace brass bolts with other material bolts.

Mechanical Installation

Core and Coil unit

1. Product dimensions, mounting dimensions, mounting hardware, and maximum torque can be found in page 24 - 29. Product frame size of each product is listed in specification tables in page 13 - 16. Mounting hardware is not included with the product.
2. Enclosure kit with hardware is sold separately. Select the enclosure part number in the specification tables in page 13 - 16 to order. Enclosure dimensions and mounting dimensions can be found in page 27 - 28. UL approved panel shop is required to assemble the unit together for UL listed enclosed product.

Enclosed unit

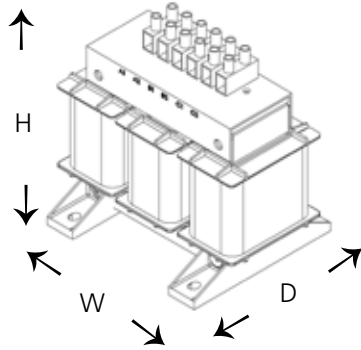
3. Product dimensions, mounting dimensions, mounting hardware, and maximum torque can be found in page 27 - 29. Product enclosure style of each product is listed in specification tables 17 - 20. Mounting hardware is not included with the product.

Electrical Installation

4. Termination style and maximum torque can be found in page 31. Follow the instruction in page 30 for single phase and three phase connection. Reactor should be connected to the variable speed device as close as possible.

Frame size

Fig. #1



Mounting hardware

(not included)

4 pcs - 1/4 in. bolts

4 pcs - 1/4 in. nuts

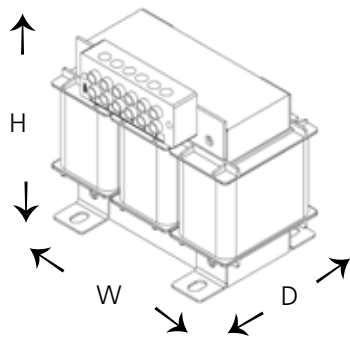
8 pcs - 1/4 in. flat washers

4 pcs - 1/4 in. lock washers

Max. tightening torque: 5.5 ft-lb

Frame Size	Height	Width	Depth	MTG Width	MTG Depth	MTG Slot w x d
1A	5.13	4.13	2.29	2.81	1.79	0.28 x 0.38
1B	5.13	4.13	3.51	2.87	2.63	0.28 x 0.38
1C	5.38	4.13	3.51	2.87	2.63	0.28 x 0.38
1D	6.13	6.50	5.00	4.38	4.00	0.28 x 0.38

Fig. #2



Mounting hardware

(not included)

4 pcs - 5/16 in. bolts

4 pcs - 5/16 in. nuts

8 pcs - 5/16 in. flat washers

4 pcs - 5/16 in. lock washers

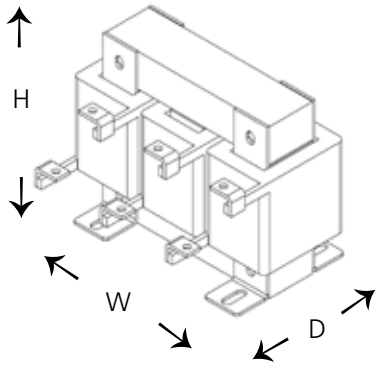
Max. tightening torque: 18 ft-lb

Frame Size	Height	Width	Depth	MTG Width	MTG Depth	MTG Slot w x d
2A	6.38	7.12	4.69	4.80	3.27	0.38 x 0.50
2B	6.38	7.12	5.19	4.80	3.77	0.38 x 0.50

continued on following page

Frame size *continued*

Fig. #3

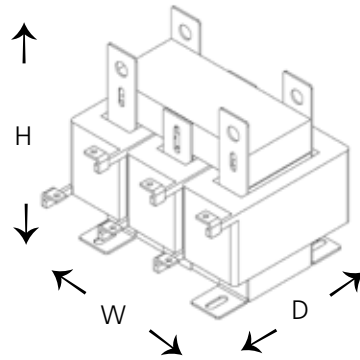


Mounting hardware (not included)	0.38 x 0.50 slot	0.44 x 1.0 slot
4 pcs bolts	5/16 in.	3/8 in.
4 pcs nuts	5/16 in.	3/8 in.
8 pcs flat washers	5/16 in.	3/8 in.
4 pcs lock washers	5/16 in.	3/8 in.
Max. tightening torque	18 ft-lb	28 ft-lb

Frame Size	Height	Width	Depth	MTG Width	MTG Depth	MTG Slot w x d
3A	5.63	7.25	5.88	4.80	3.27	0.38 x 0.50
3B	5.63	7.25	6.00	4.80	3.77	0.38 x 0.50
3C	5.63	7.25	6.00	4.80	3.27	0.38 x 0.50
3D	5.63	7.25	6.25	4.80	3.77	0.38 x 0.50
3E	7.00	9.25	6.25	6.00	3.70	0.44 x 1.0
3F	7.00	9.25	6.75	6.00	3.83	0.44 x 1.0
3G	7.00	9.25	7.00	6.00	4.08	0.44 x 1.0
3H	7.00	9.25	7.00	6.00	3.95	0.44 x 1.0
3J	7.00	9.25	7.25	6.00	4.33	0.44 x 1.0
3K	7.00	9.25	7.63	6.00	4.70	0.44 x 1.0
3L	7.00	9.25	8.00	6.00	5.45	0.44 x 1.0
3M	7.00	9.25	8.13	6.00	5.20	0.44 x 1.0
3N	7.00	9.25	8.25	6.00	5.70	0.44 x 1.0
3P	7.00	9.25	8.25	6.00	5.45	0.44 x 1.0
3Q	7.00	9.25	8.63	6.00	5.20	0.44 x 1.0
3R	7.00	9.25	8.63	6.00	5.70	0.44 x 1.0
3S	7.00	9.25	8.88	6.00	5.95	0.44 x 1.0

continued on following page

Fig. #4



Mounting hardware

(not included)

4 pcs - 3/8 in. bolts

4 pcs - 3/8 in. nuts

8 pcs - 3/8 in. flat washers

4 pcs - 3/8 in. lock washers

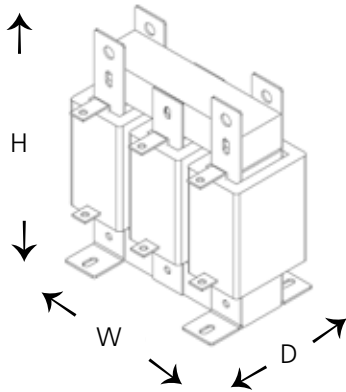
Max. tightening torque: 28 ft-lb

Frame Size	Height	Width	Depth	MTG Width	MTG Depth	MTG Slot w x d
4A	10.00	10.80	8.25	7.20	5.21	0.44 x 1.0
4B	10.00	10.80	8.38	7.20	5.33	0.44 x 1.0
4C	10.00	10.80	9.13	7.20	6.08	0.44 x 1.0
4D	10.00	10.80	9.50	7.20	6.33	0.44 x 1.0
4E	10.00	10.80	10.50	7.20	7.33	0.44 x 1.0
4F	10.00	11.05	8.25	7.20	5.08	0.44 x 1.0
4G	10.00	11.05	8.25	7.20	5.21	0.44 x 1.0
4H	10.00	11.05	8.63	7.20	5.58	0.44 x 1.0
4J	10.00	11.05	8.88	7.20	5.83	0.44 x 1.0
4K	10.00	11.05	9.00	7.20	5.96	0.44 x 1.0
4L	10.00	11.05	9.13	7.20	6.08	0.44 x 1.0
4M	10.00	11.05	9.50	7.20	6.46	0.44 x 1.0
4N	12.50	13.75	9.00	9.00	6.05	0.44 x 1.0
4P	12.50	13.75	9.38	9.00	5.70	0.44 x 1.0
4Q	12.50	13.75	9.38	9.00	6.42	0.44 x 1.0
4R	12.50	13.75	10.13	9.00	7.17	0.44 x 1.0
4S	12.50	13.75	10.38	9.00	7.30	0.44 x 1.0
4T	12.50	13.75	10.88	9.00	7.92	0.44 x 1.0
4U	12.50	13.75	11.38	9.00	8.42	0.44 x 1.0
4V	12.50	13.75	11.63	9.00	8.70	0.44 x 1.0
4W	14.50	13.75	9.38	9.00	6.42	0.44 x 1.0
4X	14.50	13.75	9.63	9.00	6.17	0.44 x 1.0
4Y	14.50	13.75	10.63	9.00	7.17	0.44 x 1.0
4Z	14.50	13.75	10.88	9.00	7.42	0.44 x 1.0
4AA	14.50	13.75	11.38	9.00	8.42	0.44 x 1.0
4AB	14.50	13.75	11.50	9.00	8.67	0.44 x 1.0
4AC	14.50	13.75	13.38	9.00	9.92	0.44 x 1.0

continued on following page

Frame size *continued*

Fig. #5



Mounting hardware

(not included)

4 pcs - 3/8 in. bolts

4 pcs - 3/8 in. nuts

8 pcs - 3/8 in. flat washers

4 pcs - 3/8 in. lock washers

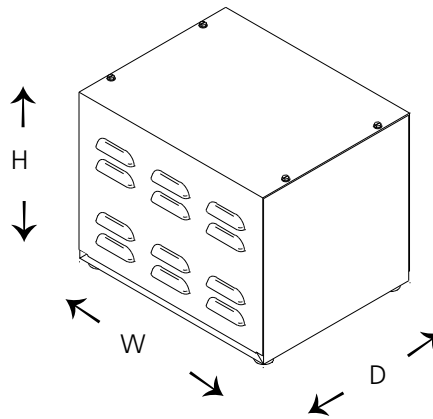
Max. tightening torque: 28 ft-lb

Frame Size	Height	Width	Depth	MTG Width	MTG Depth	MTG Slot w x d
5A	14.50	13.75	11.63	9.00	7.17	0.44 x 1.0
5B	14.50	13.75	11.88	9.00	7.17	0.44 x 1.0
5C	18.50	17.75	13.25	12.00	6.92	0.44 x 1.0
5D	18.50	17.75	13.75	12.00	7.42	0.44 x 1.0

Enclosure Style

N1

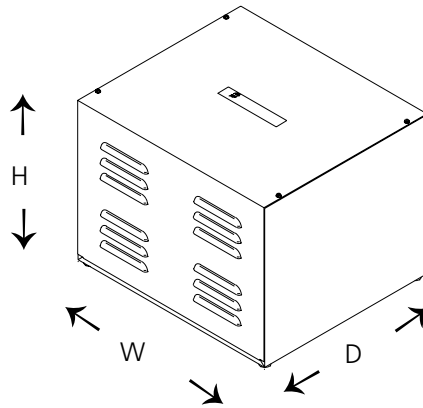
CREN1



height - 8.13 in
width - 10 in
depth - 10 in
MTG width - 7 in
MTG depth - 6 in
MTG slot/hole size - 0.188 in

N2

CREN2



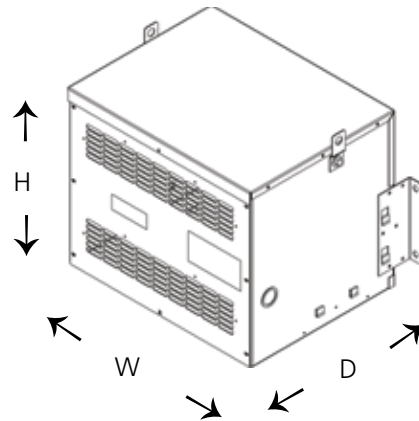
height - 12.13 in
width - 14 in
depth - 14 in
MTG width - 10 in
MTG depth - 10.5 in
MTG slot/hole size - 0.188 in

continued on following page

Enclosure Style *continued*

CH2

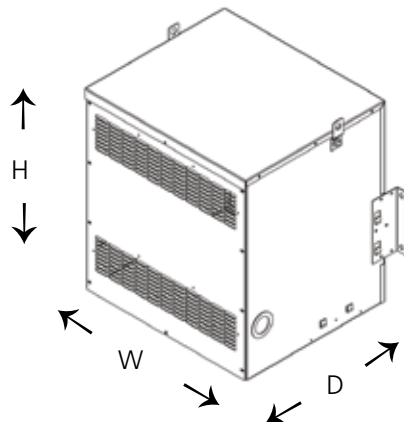
CRECH2



height - 17.9 in
width - 23.5 in
depth - 16.5 in
MTG width - 22.4 in
MTG depth - 6.5 in
MTG slot/hole size - 0.56 in

CH4

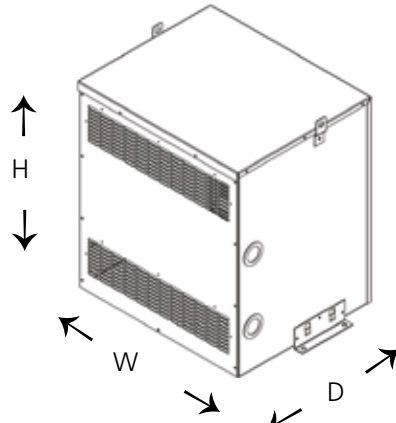
CRECH4



height - 25.9 in
width - 26.1 in
depth - 20.5 in
MTG width - 25 in
MTG depth - 6.5 in
MTG slot/hole size - 0.56 in

CH5

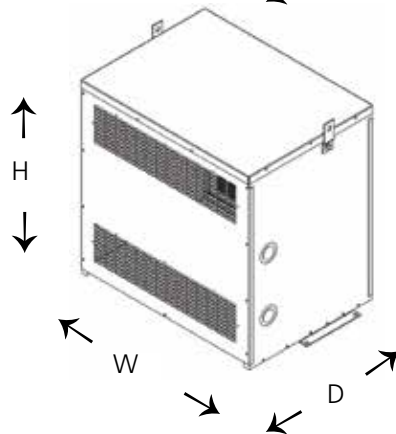
CRECH5



height - 28.9 in
width - 28.1 in
depth - 21.3 in
MTG width - 27 in
MTG depth - 6.5 in
MTG slot/hole size - 0.56 in

CH6

CRECH6

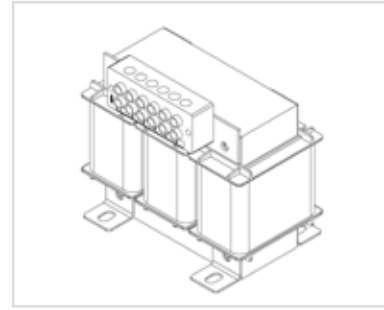
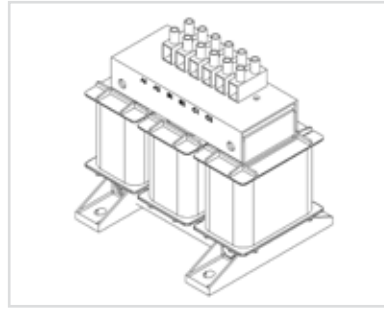


height - 31.2 in
width - 33.5 in
depth - 23 in
MTG width - 32.5 in
MTG depth - 9 in
MTG slot/hole size - 0.56 in

Termination

Style #1, 2, 3

Use applicable terminal block



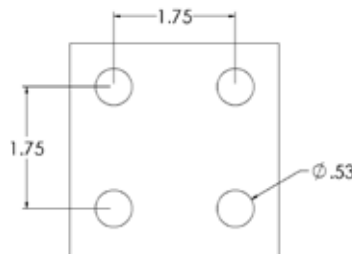
Style	Terminal	Amps	Suitable for	Maximum tightening torque
1	Terminal Block	≤9	18-14 AWG	20 in-lbs
2	Terminal Block	> 9 and ≤ 27	13-10 AWG	20 in-lbs
3	Terminal Block	> 27 and ≤64	4-14 AWG	20 in-lbs

Style #4, 5, 6



Style	Terminal	Amps	Suitable for	Maximum tightening torque
4	Terminal Pad	> 64 and ≤ 110	1/4 in hardware	10 ft-lbs
5	Terminal Pad	> 110 and ≤ 472	3/8 in hardware	28 ft-lbs
6	Terminal Pad	> 472 and ≤ 840	1/2 in hardware	70 ft-lbs

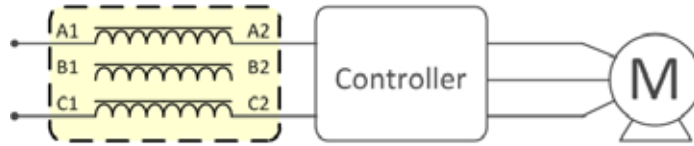
Style #7



Style	Terminal	Amps	Suitable for	Maximum tightening torque
7	Terminal Pad	>840 and <1200	4 x 1/2 in hardware	70 ft-lbs

Connection Diagrams

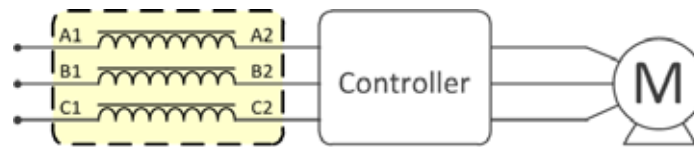
SINGLE PHASE (derated as per selection table)



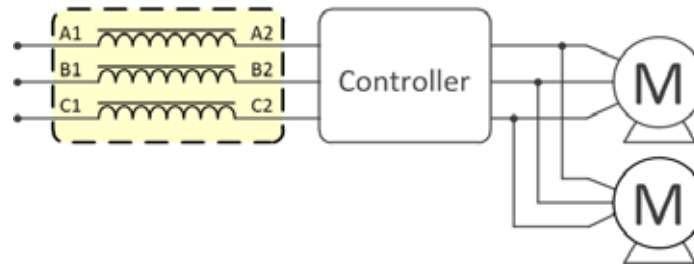
THREE PHASE

INPUT SIDE

(a) single motor



(b) multiple motors

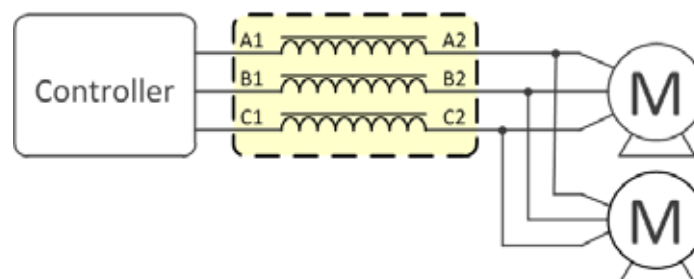


OUTPUT SIDE

(a) single motor



(b) multiple motors



Dry-Out



DANGER

HAZARD OF ELECTRIC SHOCK, EXPLOSION, OR ARC FLASH

Failure to observe these dry-out procedures will result in death or severe personal injury, or considerable property damage.

If a reactor has been exposed to moisture such as condensation or rain, or stored in a high humidity environment, the reactor must be dried out prior to energization. If the reactor has been accidentally exposed to excessive moisture, immediately remove the reactor from service. Perform Megger tests (Insulation Resistance Test) at intervals to indicate a change is taking place with the moisture content in the insulation. Then proceed with the following dry-out methods:

1. Surface moisture should be blown or wiped off any surface of the reactor to reduce the time of the dry-out period.
2. Direct external forced heated air, or radiant heat, up through the windings with all the ventilation openings cleared. Recommended temperature should not exceed 105°C (221°F). Continue this for a minimum of 24 hours or until all evidence of moisture or condensation is no longer visible.
3. Dry-out with internal heating SHOULD NOT be permitted.

It is emphasized that only specifically qualified personnel undertake this work.

Reactors that have been exposed to flood conditions, direct rain or sprinklers, may not be able to be dried out appropriately. Consult the manufacturer for further instructions.

Location



CAUTION

Failure to follow location instructions can result in injury and/or property damage.

Reactors are normally designed for installation indoors in dry locations. They will operate successfully in the recommended humidity range. It is necessary to take precautions to keep them dry if they are de-energized for longer time periods. Refer to dry out instructions. Reactors covered by this guideline are designed for operation at altitudes not exceeding 1000 m (3300 ft.) unless reactors have been specifically designed for higher altitude.

Environmental Considerations:

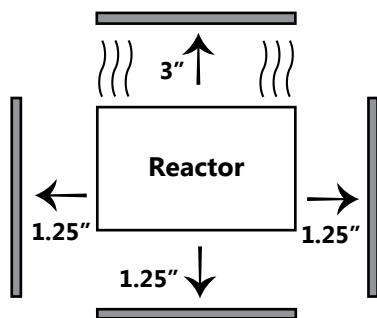
Reactors should not be located in environments containing contaminants including dust, fertilizer, excessive moisture, chemicals, corrosive gases, oils or chemical vapors. Locations where dripping water is present are to be avoided. If this is not possible, suitable protection must be provided to prevent water from entering the reactor enclosure.

Reactors should not be installed in areas accessible to the public unless specially designed for this application.

Suitable weather resistant and tamper-proof enclosures are required in locations where reactors may be exposed to driven water, snow, dust and sand particles. Consult the reactor manufacturer for further information.

Reactors must be located at least 1.25 inches away from walls, obstructions, adjacent equipment or other reflecting surfaces on the ventilation side unless otherwise marked on nameplate. Reactors should not be located near other heat sources or obstructions that may affect their ventilation and increase the ambient temperature.

Directed air in the room near the reactor can disturb the natural air flow for cooling through the winding.



Adequate ventilation is essential for the proper cooling of reactors. Clean, cool, dry air is desirable. If the location has unusually high airborne contaminants, optional filters may be required. If reactors are installed in vaults or other places with restricted air flow, sufficient ventilation shall be provided to maintain correct air temperatures. The limits are specified by CSA and ANSI standards.

The area of ventilation openings required depends on the height of the vault or reactor room and the location of reactor ventilation openings.

This is necessary to provide sufficient free circulation of air through and around the reactor. This will also permit ready access for maintenance.

If the reactor is to be located near combustible materials, the minimum clearance distance **established by The Local Electrical Fire Code should be maintained.**

Sound Levels

The audible sound produced by reactors is due to energizing of the core by the alternating voltage applied to the windings. This creates vibrations whose fundamental frequency is twice the frequency of the applied voltage. The vibrations producing audible sound can occur in the core mounting and in the housing. The transmission of sound from the reactor can occur by various media such as air, metal, concrete, wood or any combination. Amplification of audible sound can occur in a given area due to the presence of reflecting surfaces or mounting surfaces.

These sound levels are determined by CSA and ANSI/IEEE Standards and are based on the following:

- **Sound levels specified are for a non-loaded condition at rated voltage and frequency**
- **Reactors are tested in a low ambient noise environment**

It should be noted therefore that operating reactors when connected to a load, will exhibit higher sound levels than the standards referenced. Additionally, reactors are frequently installed in more confining electrical rooms which will have the effect of increasing the apparent sound level due to sound resonance. Reactors will exhibit higher than normal sound levels if installed on suspended floors that may resonate. It is a good practice to install power units on the ground floor or basement level to avoid suspended floors and away from office or living quarters. Vibration dampeners or spring isolators are also recommended to attenuate sound levels if vibration is affecting other parts of the building.

Reactors installed in close proximity to each other can experience a resonant frequency between them that results in higher than normal sound levels.

If noise levels are a factor in the location of any reactor, special consideration should be given to the installation site and attenuation (accessories used). Interrupting the sound transmission medium with the installation of sound absorbing foam or fiberglass material on the ceiling or walls, could also be considered.

Field Testing



CAUTION

Failure to follow field testing procedures could result in minor or major personal injury and/or equipment damage.

It is recommended that separate field testing and inspection be performed before placing a reactor in service to determine that it is in satisfactory operating condition and to obtain data for future comparison. We recommend to follow the ANSI/IEEE test procedure as a minimum.

continued on following page

Field Testing *continued*

Fig. #	Terminal	Amps	Suitable for	Maximum tightening torque
1	Terminal Block	<=9 >10 and <=27 >27	18-14 AWG 13-10 AWG 14-4 AWG	20 in-lbs
2	Terminal Block	<65	14-4 AWG	20 in-lbs
3	Terminal Pad	<=110 >110	1/4 in hardware 3/8 in hardware	10 ft-lbs 28 ft-lbs
4	Terminal Pad	<=472 >472	3/8 in hardware 1/2 in hardware	28 ft-lbs 70 ft-lbs
5	Terminal Pad	<=840 >840 and <1200	1/2 in hardware 4 x 1/2 in hardware	70 ft-lbs 70 ft-lbs

Where low-frequency applied-voltage, insulation resistance (megger tests) are conducted the test voltages shall not exceed 75% of factory test values. When field tests are made on a periodic basis, it is recommended that the test voltages be limited to 65% of factory test values. Disconnect surge arrestors if supplied. It is emphasized that any tests should be conducted by competent, qualified personnel in accordance with recognized safety standards and codes, particularly NFPA 70E or CSA Z462.

1. If the reactor has been shut down for a period of time, it must first be visually inspected for evidence of condensation, moisture or dust. It must be cleaned and dried out as described earlier before re-energizing.
2. Check for tightness and cleanliness of all electrical connections and phase connections.
3. A Megger Test (insulation resistance test) should be conducted on each reactor to determine the integrity of the insulation. An insulation resistance test is of value for future comparative purposes and for determining the suitability of the reactor for a high potential test. This test should be completed before the high potential (Hi-Pot) test.

Variable factors affecting the construction and use of dry-type reactors makes it difficult to set limits for the insulation resistance. Experience to date indicates that 2 megohms, (one minute reading at approximately 25°C) per 1000 volts of nameplate voltage rating, but in no case less than 2 megohms total, may be a satisfactory value for insulation resistance.

Insulation megger test (500 V or 1000 V DC). Tests to be done between:

- Winding + Ground
- Winding + Ground
- Core to Ground (if the core is isolated)

Note: If the reactor core is isolated, then the core grounding strap between the core and the ground, must be disconnected before taking the measurement from core to ground.

4. Resistance measurements of windings.
5. Ensure that minimum clearances are maintained per standards for all current carrying parts including connections and bus bars. The following table may be used as a guide for minimum clearance.

Maintenance



DANGER

Failure to de-energize and ground the reactor before opening the enclosure and/or working on the reactor will result in serious personal injury or death.

The reactor must be de-energized prior to any maintenance. It is also recommended that all terminals be grounded and include a lockout/tagout procedure.

Periodic Inspection and Maintenance:

Generally, very little maintenance is required for reactors. However, periodic care and inspection is required to ensure long-term, successful operation. The frequency of inspection will depend on the conditions where the reactor is installed.

For clean, dry locations, an annual inspection is normally sufficient. For other locations where the air is contaminated with dust or chemical vapors, inspection at three or six month intervals may be required.

With the reactor de-energized, remove all access panels on the enclosure and ground the terminals. Inspect for dirt particularly on insulating surfaces or any surface which tends to restrict air flow. Insulators, terminals and terminal boards should be inspected for discharge (tracking), breaks, cracks or burns and tightness of hardware. It is necessary to clean these parts to prevent flashover due to the accumulation of the contaminant.

Evidence of rusting, corrosion, and deterioration of the paint should be checked and corrective measures taken where necessary. Fan motors, and other auxiliary devices should also be inspected and serviced.

Cleaning



DANGER

Failure to de-energize and ground the reactor before opening the enclosure and/or working on the reactor will result in serious personal injury or death.

If excessive accumulation of dirt is apparent on the reactor windings or insulators, the dirt must be removed to permit the circulation of air. Particular attention should be given to cleaning the top and bottom ends of the winding assemblies.

The windings may be cleaned with a vacuum cleaner, blower, or with compressed air. A vacuum cleaner is preferred as a first step followed by the use of compressed air. The compressed air should be clean and dry and applied at a relatively low pressure (not over 25 pounds per square inch). Leads, lead supports, coil support, terminal boards, bushings and other major insulating surfaces should be brushed or wiped with a dry cloth. The use of liquid cleaners is undesirable due to solvents which could have a detrimental effect on insulating materials.

Field Service



DANGER

Failure to de-energize and ground the reactor before opening the enclosure and/or working on the reactor will result in serious personal injury or death.

Electrical equipment should be installed, operated, serviced, and maintained, only by qualified personnel.

The following is intended as a trouble shooting guide to help determine corrective measures for reactors in the field. It is emphasized that only qualified personnel should be permitted to examine installed reactors. Reactors must be de-energized before any work is conducted on a reactor. It is also recommended that all terminals be grounded.

1. Overcurrent

Fully loaded reactors may appear warm to the touch. Standards permit the temperature of the reactor enclosure cover to be 65°C (149°F) rise over ambient at 50°C(104°F) or maximum of 105°C (212°F). In a not readily accessible location, standards permit the temperature of the reactor enclosure cover to be 80°C (176°F) rise over ambient at 50°C(104°F) ambient could be a 20°C (248°F) continuous. In this condition, the temperature on a thermometer could be at the maximum of 220°C (428°F).

- continuous overloads for long time periods
- wrong external connections
- excessive input voltage or current
- voltage or current harmonics
- poor room ventilation or heating from other sources
- high ambient temperatures [standards permit 30°C (86°F) average, 40°C (104°F) maximum]
- blocked air ducts or ventilation openings
- accumulation of dirt and dust restricting air circulation

2. Noise and Vibration

Sound levels for reactors can vary from 60 dB(A) for a 500 kVA to 76 dB(A) for a 10000 kVA. These sound levels are determined by national standards and are based on the following:

- values are for a non-loaded condition
- tested in a low ambient noise environment
- walls or reflecting surfaces at least 10' [3m] away from all sides of the reactor

continued on following page

Field Service (*continued*)

Reactors that are installed in more confining electrical rooms, when connected to the load, will exhibit higher (than standard) sound levels. Excessive noise can be caused by:

- high input voltage
- high frequency
- unbalanced loads
- excessive load current
- voltage and current harmonics from nonlinear loads
- loosened core clamps
- hardware or enclosures loosened due to shipping or handling
- anti-vibration pads are not installed

Reactors will exhibit higher than normal sound levels if installed on suspended floors that may resonate. It is a good practice to install power units on the ground floor or basement level to avoid suspended floors. Vibration dampeners or spring isolators are recommended to attenuate sound levels. Additionally, flexible connectors should be installed between the bus bars and other equipment to avoid vibration transfer.

Reactors installed in close proximity to each other can also experience a resonant frequency between them that will result in higher than normal sound levels.

3. Reduced or Zero Voltage

Loose connections on reactor terminals or terminal boards, broken lead wires or shorted turns are all possible sources.

4. Excess Current

Can be caused by higher rated current.

5. Smoke from Reactor

Smoke and/or fumes on initial start-up is common and is the result of oils and lubricants used in the manufacturing process. The smoke is considered an irritant and should be temporarily ventilated. It is not a long term health risk and should dissipate after 24 hours of loading.

6. Burned Insulation or Insulation Failure

With evidence of burned insulation, check for the following:

- continuous overload condition
- excessive harmonics
- overheating due to ventilation
- lightning surge
- switching or line disturbance
- broken leads or arresters
- damaged terminals or terminal boards
- shorted turns or mechanical damage
- contamination (insulation failure)

continued on following page

Field Service (*continued*)



DANGER

Failure to de-energize and ground the reactor before opening the enclosure and/or working on the reactor will result in serious personal injury or death.

Electrical equipment should be installed, operated, serviced, and maintained, only by qualified personnel.

If reactor cores show evidence of overheating and discoloration, insulation near the core may also appear discolored. Very high core temperatures are caused by:

- high current
- saturation of the core due to current harmonics.

7. High Exciting Current

Can be caused by:

- shorted turns
- gaps in the core due to shifting during shipment or handling.

8. Core Grounding

Please refer to NFPA 70 (National Electrical code) regarding resistors and reactors.

9. Coil Distortion

Short circuited coils exhibit severe distortion from their normal round or symmetrical appearance.

10. Breakers/Fuses Opening

Breakers and fuses opening can be caused by:

- overload conditions
- voltage or current harmonics
- short circuit
- insulation failure that causes excessive current
- setting too low to allow for inrush current

11. Excessive Cable Heating

Causes include:

- improperly bolted or crimped connections
- loose connectors
- loose lead wires or terminals
- incorrectly sized cables or terminals
- overload condition

12. Moisture

If a reactor has been exposed to moisture such as condensation or rain, the unit should be dried out prior to re-energization. (refer to Dry-Out section)

Hot or warmed air, radiant heat or internal heat should be directed through the windings. This should continue for 24 hours or until the evidence of condensation is no longer visible.

Reactors that have been exposed to flood conditions, direct rain or sprinklers, may not be able to be dried out appropriately. Consult the factory for further instructions.

continued on following page

Field Service (*continued*)



DANGER

Failure to de-energize and ground the reactor before opening the enclosure and/or working on the reactor will result in serious personal injury or death.

Electrical equipment should be installed, operated, serviced, and maintained, only by qualified personnel.

If any of the above conditions are evident, the reactor should be immediately removed from service. Corrective measures should be taken in consultation with the manufacturer.

After an evaluation has been completed it will be determined if the reactor will be put back into service or returned to the manufacturer for further testing.



CANADA

595 Southgate Drive
Guelph, Ontario N1G 3W6
Tel: (519) 822-2441
Fax: (519) 822-9701
Toll Free: 1-888-798-8882
sales@hammondpowersolutions.com

UNITED STATES

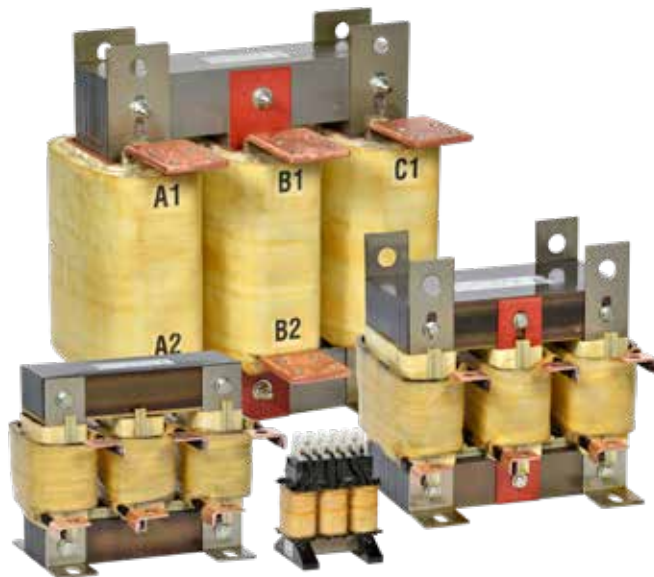
1100 Lake Street
Baraboo, Wisconsin 53913-2866
Tel: (608) 356-3921
Fax: (608) 355-7623
Toll Free: 1-866-705-4684
sales@hammondpowersolutions.com

Guide d'installation, de fonctionnement et d'entretien

HPS Centurion^{MD} R

Réacteurs à noyau de fer

Cet ouvrage traite des recommandations concernant l'installation, le fonctionnement et l'entretien de réacteurs R Centurion^{MD}. Il est souligné que cet abrégé des directives doit être utilisé conformément aux normes et aux règlements qui régissent ces actions, qui doivent par conséquent être consultés.



	Page
Avertissements	42
Consignes de sécurité	43
Numéro de référence des pièces	44
Spécifications techniques	45
Tableaux de sélection	46
Tableau des spécifications du noyau-bobines	53
Tableau des spécifications d'enceinte	57
Réception et Inspection	61
Procédures de levage	61
Stockage	62
Mesures de sécurité pour l'installation	62
Installation mécanique	63
Installation électrique	63
Taille des armatures	64
Type d'enceinte	67
Extrémité	69
Diagrammes de raccordement	70
Séchage	71
Endroit	72
Niveaux sonores (suite)	73
Essais sur le terrain	73
Entretien	75
Nettoyage	75
Entretien sur le terrain	76

Clause de non-responsabilité

Les pratiques recommandées dans cet ouvrage ont une portée générale et sont fournies sans garantie d'erreurs ou d'omissions. Les données techniques sont sujettes à modification et toutes corrections nécessaires sont comprises dans les éditions ultérieures. Il faut communiquer avec le fabricant du transformateur ou un de leurs représentants pour les exigences spéciales.

Ce guide contient des recommandations pour l'installation, le fonctionnement et l'entretien des réacteurs avec ou sans enceinte. Il est souligné que cet abrégé des directives doit être utilisé conformément aux normes et aux règlements qui régissent ces actions, qui doivent par conséquent être consultés.

Ces pratiques sont recommandées pour une utilisation générale et il faut communiquer avec le fabricant du réacteur ou un de leurs représentants pour les exigences spéciales.

L'installation doit également être conforme à la norme C57.94 de l'IEEE/ANSI. Cette norme est la pratique recommandée par l'IEEE pour l'installation, l'utilisation, le fonctionnement et l'entretien des réacteurs.

Ce guide contient des avertissements à respecter afin d'assurer la sécurité personnelle et de prévenir les dommages matériels. Lire ces directives attentivement et observer l'équipement pour se familiariser avec l'appareil avant de tenter de l'installer, l'exploiter, le nettoyer ou l'entretenir. Les avis se rapportant à la sécurité personnelle sont mis en évidence dans le guide à l'aide d'un symbole d'alerte à la sécurité, les avis se rapportant strictement aux dommages matériels ne sont pas accompagnés d'un symbole. Les avis énumérés ci-dessous sont classés en fonction du degré du danger. S'il y a plus d'un degré de danger, l'avertissement qui représente le plus haut degré est utilisé.



DANGER

L'appellation « DANGER » désigne une situation de danger imminent qui, si elle n'est pas évitée, aura pour conséquence la mort ou des blessures graves, ou encore des dommages matériels substantiels.



AVERTISSEMENT

L'appellation « AVERTISSEMENT » désigne une situation de danger potentiel qui, si elle n'est pas évitée, pourrait provoquer la mort ou des blessures graves, et/ou des dommages matériels substantiels.



MISE EN GARDE

L'appellation « MISE EN GARDE » désigne une situation de danger potentiel qui, si elle n'est pas évitée, pourrait causer des blessures légères ou moyennes, ou encore des dommages matériels.

Remarque importante :

L'équipement électrique doit strictement être installé, utilisé, nettoyé et entretenu par du personnel qualifié. Le fabricant n'assume aucune responsabilité des conséquences inhérentes à l'utilisation de ce matériel.

AVIS

L'appellation « AVIS » désigne une situation de danger potentiel qui, si elle n'est pas évitée, pourrait causer des dommages matériels.

Mesures de sécurité



DANGER

RISQUE DE DÉCHARGE ÉLECTRIQUE, D'EXPLOSION OU DE COUP D'ARC

Se reporter à la plaque d'identification des classifications.

Cet équipement doit strictement être installé et entretenu par un électricien qualifié.

Respecter toutes les exigences des normes NFPA 70E et CSA 462 en matière de pratique de travail sécuritaire et d'équipement de protection individuelle (EPI)

Couper l'alimentation électrique avant d'effectuer des travaux à l'extérieur ou à l'intérieur de l'équipement.

Toujours utiliser un dispositif de détection de tension de calibre approprié pour confirmer que le courant est coupé.

Replacer tous les dispositifs, les portes et le couvercle avant de mettre l'équipement sous tension.

La violation de ces directives cause la mort ou des blessures graves.

1. Ne pas soulever ou déplacer un réacteur sans l'équipement approprié et le personnel qualifié. Les directives de levage sont fournies à l'intérieur de l'enceinte de la bobine/du noyau seulement. Toujours se conformer aux directives de levages du fabricant.

2. Ne pas décharger le réacteur avant d'avoir effectué une inspection complète.

3. Les bornes sont strictement réservées aux branchements électriques. Il est possible d'ajouter des supports Unistrut sur le terrain à condition de respecter le dégagement exigé.

4. Les branchements ne doivent s'effectuer qu'en conformité avec le schéma de la plaque signalétique ou des diagrammes de connexion.

5. Vérifiez que l'électricité est complètement coupée (y compris les commandes à alimentation arrière et la charge du condensateur) et que les enroulements sont mis à la terre avant de commencer un travail sur le réacteur.

6. Vérifier que toutes les bornes de ligne sont achevées et fixées avant de mettre le réacteur sous tension.

7. Ne pas tenter de changer un raccordement primaire ou secondaire pendant que le réacteur est actif.

8. Ne pas retirer d'accessoires ou de platines lorsque le réacteur est actif.

9. Les câbles d'alimentation ne doivent pas entrer en contact avec le noyau, la bobine ou une pièce sous tension, sauf la borne voulue. S'assurer de respecter le dégagement minimal. (consulter la section « Essais sur le terrain »)

10. Cet équipement doit strictement être installé et entretenu par un électricien qualifié.

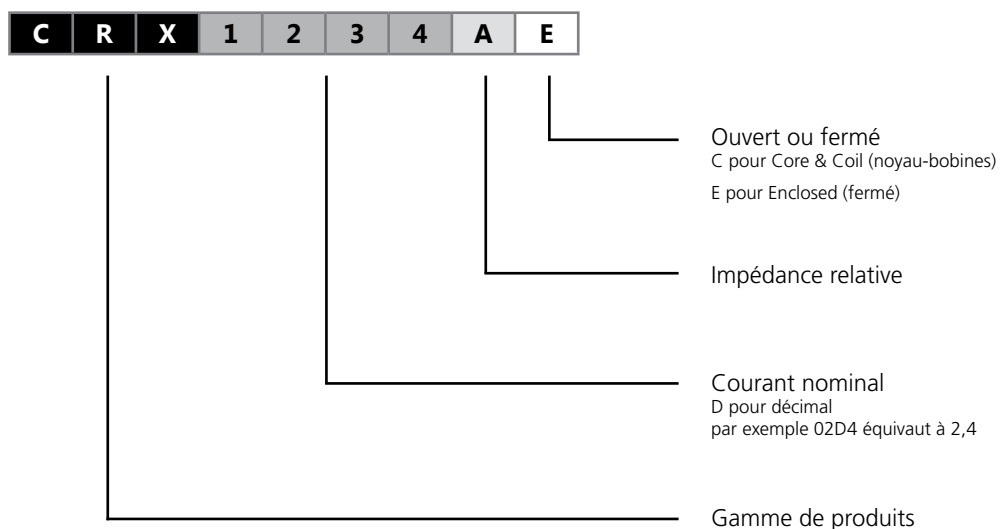
11. Respecter toutes les exigences des normes NFPA 70E et CSA 462 en matière de pratique de travail sécuritaire et d'équipement de protection individuelle (EPI)

12. Replacer tous les dispositifs, les portes et le couvercle avant de mettre l'équipement sous tension.

13. Couvrir le noyau et la bobine d'une toile de protection appropriée lors d'opérations de forage, de meulage, ou de peinture.

14. Il est interdit de modifier l'équipement de quelque manière que ce soit (puisque cela pourrait porter atteinte à la garantie et causer une situation dangereuse) sans l'autorisation préalable de HPS.

Numéro de référence des pièces



Le courant nominal est le courant effectif. Les tableaux de sélection se trouvent aux pages 46 à 52. Les chevaux-vapeur et le courant effectif, dans le tableau de sélection, sont basés sur le tableau du calibrage du moteur NEC. Toujours vérifier par rapport aux exigences de courant de l'application concrète.

Unités de noyau-bobines

Les diagrammes de spécification se trouvent aux pages 53 à 56. Des enceintes en option avec des kits de matériel sont vendues séparément et les numéros de pièce peuvent être trouvés dans le tableau de spécification à la rubrique Référence des enceintes.



Unités fermées

Les diagrammes de spécification se trouvent aux pages page 57 à page 60.

Spécifications techniques

Tension nominale du système :	120 V, 208 V, 240 V, 480 V, 600 V, (690 V détarée)
Impédance nominale :	1,5 %, 3 %, 5 %
Inductance :	<ul style="list-style-type: none">- Inductance nominale +15/-10 % au courant nominal- 95 % d'inductance nominale à 110 % de courant nominal- 80 % d'inductance nominale à 150 % de courant nominal- 50 % d'inductance nominale à 200 % de courant nominal
Méthode de refroidissement :	Convection naturelle
Système d'isolation :	<ul style="list-style-type: none">- 70 °C au dessus de la température ambiante moyenne de 50 °C pour classe de température de 130 °C- 115 °C au dessus de la température ambiante moyenne de 50 °C pour des classes de température de 180 °C et 220 °C
Altitude (déclassement) :	Par NEMA ST-20
Fréquence fondamentale :	50/60 Hz nominal
Résistance diélectrique :	4 000 volts effectifs (crête répétitive à 2 200 volts)
Autorisations :	CE, CSA, UL
Garantie :	10 ans

Tableaux de sélection

Monophasé

CH Nominal	Monophasé - 120 volt - 60 Hz					
	3 % d'impédance			5 % d'impédance		
	Am- pères	Référence noyau-bobines	Référence enceinte	Am- pères	Référence noyau-bobines	Référence enceinte
0,25	2,08	CRX03D5BC	CRX03D5BE	2,08	CRX03D5CC	CRX03D5CE
0,5	4,16	CRX07D5AC	CRX07D5AE	4,16	CRX06D6CC	CRX06D6CE
0,75	6,25	CRX10D7BC	CRX10D7BE	6,25	CRX0017AC	CRX0017AE
1	8,33	CRX0024CC	CRX0024CE	8,33	CRX0022AC	CRX0022AE
1,5	12,5	CRX0024CC	CRX0024CE	12,5	CRX16D7DC	CRX16D7DE
2	16,7	CRX0024AC	CRX0024AE	16,7	CRX16D7BC	CRX16D7BE
3	25	CRX0031AC	CRX0031AE	25	CRX0024AC	CRX0024AE
5	41,6	CRX0059AC	CRX0059AE	41,6	CRX0059CC	CRX0059CE
7,5	62,5	CRX0075AC	CRX0075AE	62,5	CRX0059AC	CRX0059AE
10	83,3	CRX0114AC	CRX0114AE	83,3	CRX0088AC	CRX0088AE

CH Nominal	Monophasé - 240 volt - 60 Hz					
	3 % d'impédance			5 % d'impédance		
	Am- pères	Référence noyau-bobines	Référence enceinte	Am- pères	Référence noyau-bobines	Référence enceinte
0,25	1,04	CRX02D1AC	CRX02D1AE	1,04	CRX0002CC	CRX0002CE
0,5	2,08	CRX02D4DC	CRX02D4DE	2,08	CRX02D7AC	CRX02D7AE
0,75	3,13	CRX03D5BC	CRX03D5BE	3,13	CRX02D4DC	CRX02D4DE
1	4,17	CRX0011CC	CRX0011CE	4,17	CRX04D8AC	CRX04D8AE
1,5	6,25	CRX06D6CC	CRX06D6CE	6,25	CRX0011CC	CRX0011CE
2	8,33	CRX10D7DC	CRX10D7DE	8,33	CRX0011AC	CRX0011AE
3	12,5	CRX10D7BC	CRX10D7BE	12,5	CRX0017AC	CRX0017AE
5	20,8	CRX0024CC	CRX0024CE	20,8	CRX0021AC	CRX0021AE
7,5	31,2	CRX0052BC	CRX0052BE	31,2	CRX0034AC	CRX0034AE
10	41,6	CRX0059CC	CRX0059CE	41,6	CRX0052AC	CRX0052AE

Tableaux de sélection *suite*

Triphasé

CH Nominal	Triphasé 208 volt - 60 Hz					
	3 % d'impédance			5 % d'impédance		
	Am- pères	Référence noyau-bobines	Référence enceinte	Am- pères	Référence noyau-bobines	Référence enceinte
0,5	2,4	CRX02D4BC	CRX02D4BE	2,4	CRX02D4DC	CRX02D4DE
0,75	3,5	CRX03D5AC	CRX03D5AE	3,5	CRX03D5DC	CRX03D5DE
1	4,6	CRX04D6BC	CRX04D6BE	4,6	CRX04D6CC	CRX04D6CE
1,5	6,6	CRX06D6BC	CRX06D6BE	6,6	CRX06D6CC	CRX06D6CE
2	7,5	CRX07D5AC	CRX07D5AE	7,5	CRX07D5DC	CRX07D5DE
3	10,7	CRX10D7BC	CRX10D7BE	10,7	CRX10D7DC	CRX10D7DE
5	16,7	CRX16D7BC	CRX16D7BE	16,7	CRX16D7DC	CRX16D7DE
7,5	24	CRX0024AC	CRX0024AE	24	CRX0024CC	CRX0024CE
10	31	CRX0031BC	CRX0031BE	31	CRX0031CC	CRX0031CE
15	46	CRX0046BC	CRX0046BE	46	CRX0046CC	CRX0046CE
20	59	CRX0059AC	CRX0059AE	59	CRX0059CC	CRX0059CE
25	75	CRX0075AC	CRX0075AE	75	CRX0075CC	CRX0075CE
30	88	CRX0088BC	CRX0088BE	88	CRX0088CC	CRX0088CE
40	114	CRX0114AC	CRX0114AE	114	CRX0114CC	CRX0114CE
50	143	CRX0143AC	CRX0143AE	143	CRX0143DC	CRX0143DE
60	170	CRX0170BC	CRX0170BE	170	CRX0170DC	CRX0170DE
75	211	CRX0211BC	CRX0211BE	211	CRX0211CC	CRX0211CE
100	273	CRX0273BC	CRX0273BE	273	CRX0273CC	CRX0273CE
125	343	CRX0343BC	CRX0343BE	343	CRX0343CC	CRX0343CE
150	396	CRX0396BC	CRX0396BE	396	CRX0396DC	CRX0396DE
200	528	CRX0528BC	CRX0528BE	528	CRX0528CC	CRX0528CE

Tableaux de sélection *suite*

Triphasé

CH Nominal	Triphasé 240 volt - 60 Hz					
	3 % d'impédance			5 % d'impédance		
	Am- pères	Référence noyau-bobines	Référence enceinte	Am- pères	Référence noyau-bobines	Référence enceinte
0,5	2,4	CRX02D4AC	CRX02D4AE	2,4	CRX02D4CC	CRX02D4CE
0,75	3,5	CRX03D5BC	CRX03D5BE	3,5	CRX03D5CC	CRX03D5CE
1	4,6	CRX04D6AC	CRX04D6AE	4,6	CRX04D6DC	CRX04D6DE
1,5	6,6	CRX06D6AC	CRX06D6AE	6,6	CRX06D6DC	CRX06D6DE
2	7,5	CRX07D5BC	CRX07D5BE	7,5	CRX07D5CC	CRX07D5CE
3	10,7	CRX10D7AC	CRX10D7AE	10,7	CRX10D7CC	CRX10D7CE
5	16,7	CRX16D7AC	CRX16D7AE	16,7	CRX16D7CC	CRX16D7CE
7,5	24	CRX0024BC	CRX0024BE	24	CRX0024DC	CRX0024DE
10	31	CRX0031AC	CRX0031AE	31	CRX0031DC	CRX0031DE
15	46	CRX0046AC	CRX0046AE	46	CRX0046DC	CRX0046DE
20	59	CRX0059BC	CRX0059BE	59	CRX0059DC	CRX0059DE
25	75	CRX0075BC	CRX0075BE	75	CRX0075DC	CRX0075DE
30	88	CRX0088AC	CRX0088AE	88	CRX0088DC	CRX0088DE
40	114	CRX0114BC	CRX0114BE	114	CRX0114DC	CRX0114DE
50	143	CRX0143BC	CRX0143BE	143	CRX0143CC	CRX0143CE
60	170	CRX0170AC	CRX0170AE	170	CRX0170CC	CRX0170CE
75	211	CRX0211AC	CRX0211AE	211	CRX0211DC	CRX0211DE
100	273	CRX0273AC	CRX0273AE	273	CRX0273DC	CRX0273DE
125	343	CRX0343AC	CRX0343AE	343	CRX0343DC	CRX0343DE
150	396	CRX0396AC	CRX0396AE	396	CRX0396CC	CRX0396CE
200	528	CRX0528AC	CRX0528AE	528	CRX0528DC	CRX0528DE

Tableaux de sélection *suite*

Triphasé

CH Nominal	Triphasé 480 volt - 60 Hz		
	1,5 % d'impédance		
	Am- pères	Référence noyau-bobines	Référence enceinte
0,5	2,4	CRX02D4AC	CRX02D4AE
0,75	3,5	CRX03D5BC	CRX03D5BE
1	4,6	CRX04D6AC	CRX04D6AE
1,5	6,6	CRX06D6AC	CRX06D6AE
2	7,5	CRX07D5BC	CRX07D5BE
3	10,7	CRX10D7AC	CRX10D7AE
5	16,7	CRX16D7AC	CRX16D7AE
7,5	24	CRX0024BC	CRX0024BE
10	31	CRX0031AC	CRX0031AE
15	46	CRX0046AC	CRX0046AE
20	59	CRX0059BC	CRX0059BE
25	75	CRX0075BC	CRX0075BE
30	88	CRX0088AC	CRX0088AE
40	114	CRX0114BC	CRX0114BE
50	143	CRX0143BC	CRX0143BE
60	170	CRX0170AC	CRX0170AE
75	211	CRX0211AC	CRX0211AE
100	273	CRX0273AC	CRX0273AE
125	343	CRX0343AC	CRX0343AE
150	396	CRX0396AC	CRX0396AE
200	528	CRX0528AC	CRX0528AE

Tableaux de sélection *suite*

Triphasé

CH Nominal	Triphasé 480 volt - 60 Hz					
	3 % d'impédance			5 % d'impédance		
	Am- pères	Référence noyau-bobines	Référence enceinte	Am- pères	Référence noyau-bobines	Référence enceinte
0,5	1,1	CRX01D1AC	CRX01D1AE	1,1	CRX01D1BC	CRX01D1BE
0.75	1,6	CRX01D6AC	CRX01D6AE	1,6	CRX01D6BC	CRX01D6BE
1	2,1	CRX02D1AC	CRX02D1AE	2,1	CRX02D1BC	CRX02D1BE
1,5	3	CRX0003AC	CRX0003AE	3	CRX0003BC	CRX0003BE
2	3,4	CRX03D4AC	CRX03D4AE	3,4	CRX03D4BC	CRX03D4BE
3	4,8	CRX04D8AC	CRX04D8AE	4,8	CRX04D8BC	CRX04D8BE
5	7,6	CRX07D6AC	CRX07D6AE	7,6	CRX07D6BC	CRX07D6BE
7,5	11	CRX0011BC	CRX0011BE	11	CRX0011CC	CRX0011CE
10	14	CRX0014AC	CRX0014AE	14	CRX0014BC	CRX0014BE
15	21	CRX0021AC	CRX0021AE	21	CRX0021BC	CRX0021BE
20	27	CRX0027BC	CRX0027BE	27	CRX0027CC	CRX0027CE
25	34	CRX0034AC	CRX0034AE	34	CRX0034BC	CRX0034BE
30	40	CRX0040AC	CRX0040AE	40	CRX0040BC	CRX0040BE
40	52	CRX0052BC	CRX0052BE	52	CRX0052DC	CRX0052DE
50	65	CRX0065AC	CRX0065AE	65	CRX0065BC	CRX0065BE
60	77	CRX0077AC	CRX0077AE	77	CRX0077DC	CRX0077DE
75	96	CRX0096AC	CRX0096AE	96	CRX0096BC	CRX0096BE
100	124	CRX0124AC	CRX0124AE	124	CRX0124BC	CRX0124BE
125	156	CRX0156AC	CRX0156AE	156	CRX0156BC	CRX0156BE
150	180	CRX0180AC	CRX0180AE	180	CRX0180BC	CRX0180BE
200	240	CRX0240AC	CRX0240AE	240	CRX0240BC	CRX0240BE
250	302	CRX0302AC	CRX0302AE	302	CRX0302BC	CRX0302BE
300	361	CRX0361AC	CRX0361AE	361	CRX0361BC	CRX0361BE
350	414	CRX0414AC	CRX0414AE	414	CRX0414BC	CRX0414BE
400	477	CRX0477AC	CRX0477AE	477	CRX0477BC	CRX0477BE
450	515	CRX0515AC	CRX0515AE	515	CRX0515BC	CRX0515BE
500	590	CRX0590AC	CRX0590AE	590	CRX0590BC	CRX0590BE
600	720	CRX0720AC	CRX0720AE	77	CONSULTER LE FABRICANT	
700	840	CRX0840AC	CRX0840AE	96	CONSULTER LE FABRICANT	
800	960	CRX0960AC	CRX0960AE	124	CONSULTER LE FABRICANT	
900	1080	CRX1080AC	CRX1080AE	156	CONSULTER LE FABRICANT	
1000	1200	CRX1200AC	CRX1200AE	180	CONSULTER LE FABRICANT	

Tableaux de sélection *suite*

Triphasé

CH Nominal	Triphasé 600 volt - 60 Hz					
	3 % d'impédance			5 % d'impédance		
	Am- pères	Référence noyau-bobines	Référence enceinte	Am- pères	Référence noyau-bobines	Référence enceinte
0,5	1	CRX0001AC	CRX0001AE	1	CRX0001BC	CRX0001BE
0,75	1,4	CRX01D4AC	CRX01D4AE	1,4	CRX01D4BC	CRX01D4BE
1	1,8	CRX01D8AC	CRX01D8AE	1,8	CRX01D8BC	CRX01D8BE
1,5	2,6	CRX02D6AC	CRX02D6AE	2,6	CRX02D6BC	CRX02D6BE
2	2,7	CRX02D7AC	CRX02D7AE	2,7	CRX02D7BC	CRX02D7BE
3	3,9	CRX03D9AC	CRX03D9AE	3,9	CRX03D9BC	CRX03D9BE
5	6,1	CRX06D1AC	CRX06D1AE	6,1	CRX06D1BC	CRX06D1BE
7,5	9	CRX0009AC	CRX0009AE	9	CRX0009BC	CRX0009BE
10	11	CRX0011AC	CRX0011AE	11	CRX0011DC	CRX0011DE
15	17	CRX0017AC	CRX0017AE	17	CRX0017BC	CRX0017BE
20	22	CRX0022AC	CRX0022AE	22	CRX0022BC	CRX0022BE
25	27	CRX0027AC	CRX0027AE	27	CRX0027DC	CRX0027DE
30	32	CRX0032AC	CRX0032AE	32	CRX0032BC	CRX0032BE
40	41	CRX0041AC	CRX0041AE	41	CRX0041BC	CRX0041BE
50	52	CRX0052AC	CRX0052AE	52	CRX0052CC	CRX0052CE
60	62	CRX0062AC	CRX0062AE	62	CRX0062BC	CRX0062BE
75	77	CRX0077BC	CRX0077BE	77	CRX0077CC	CRX0077CE
100	99	CRX0099AC	CRX0099AE	99	CRX0099BC	CRX0099BE
125	125	CRX0125AC	CRX0125AE	125	CRX0125BC	CRX0125BE
150	144	CRX0144AC	CRX0144AE	144	CRX0144BC	CRX0144BE
200	192	CRX0192AC	CRX0192AE	192	CRX0192BC	CRX0192BE
250	242	CRX0242AC	CRX0242AE	242	CRX0242BC	CRX0242BE
300	289	CRX0289AC	CRX0289AE	289	CRX0289BC	CRX0289BE
350	336	CRX0336AC	CRX0336AE	336	CRX0336BC	CRX0336BE
400	382	CRX0382AC	CRX0382AE	382	CRX0382BC	CRX0382BE
450	412	CRX0412AC	CRX0412AE	412	CRX0412BC	CRX0412BE
500	472	CRX0472AC	CRX0472AE	472	CRX0472BC	CRX0472BE

Tableaux de sélection *suite*

CH Nominal	Triphasé 690 volt - 60 Hz					
	2,6 % d'impédance			4,5 % d'impédance		
	Am- pères	Référence noyau-bobines	Référence enceinte	Am- pères	Référence noyau-bobines	Référence enceinte
0,5	1	CRX0001AC	CRX0001AE	1	CRX0001BC	CRX0001BE
0,75	1,4	CRX01D4AC	CRX01D4AE	1,4	CRX01D4BC	CRX01D4BE
1	1,8	CRX01D8AC	CRX01D8AE	1,8	CRX01D8BC	CRX01D8BE
1,5	2,6	CRX02D6AC	CRX02D6AE	2,6	CRX02D6BC	CRX02D6BE
2	2,7	CRX02D7AC	CRX02D7AE	2,7	CRX02D7BC	CRX02D7BE
3	3,9	CRX03D9AC	CRX03D9AE	3,9	CRX03D9BC	CRX03D9BE
5	6,1	CRX06D1AC	CRX06D1AE	6,1	CRX06D1BC	CRX06D1BE
7,5	9	CRX0009AC	CRX0009AE	9	CRX0009BC	CRX0009BE
10	11	CRX0011AC	CRX0011AE	11	CRX0011DC	CRX0011DE
15	17	CRX0017AC	CRX0017AE	17	CRX0017BC	CRX0017BE
20	22	CRX0022AC	CRX0022AE	22	CRX0022BC	CRX0022BE
25	27	CRX0027AC	CRX0027AE	27	CRX0027DC	CRX0027DE
30	32	CRX0032AC	CRX0032AE	32	CRX0032BC	CRX0032BE
40	41	CRX0041AC	CRX0041AE	41	CRX0041BC	CRX0041BE
50	52	CRX0052AC	CRX0052AE	52	CRX0052CC	CRX0052CE
60	62	CRX0062AC	CRX0062AE	62	CRX0062BC	CRX0062BE
75	77	CRX0077BC	CRX0077BE	77	CRX0077CC	CRX0077CE
100	99	CRX0099AC	CRX0099AE	99	CRX0099BC	CRX0099BE
125	125	CRX0125AC	CRX0125AE	125	CRX0125BC	CRX0125BE
150	144	CRX0144AC	CRX0144AE	144	CRX0144BC	CRX0144BE
200	192	CRX0192AC	CRX0192AE	192	CRX0192BC	CRX0192BE
250	242	CRX0242AC	CRX0242AE	242	CRX0242BC	CRX0242BE
300	289	CRX0289AC	CRX0289AE	289	CRX0289BC	CRX0289BE
350	336	CRX0336AC	CRX0336AE	336	CRX0336BC	CRX0336BE
400	382	CRX0382AC	CRX0382AE	382	CRX0382BC	CRX0382BE
450	412	CRX0412AC	CRX0412AE	412	CRX0412BC	CRX0412BE
500	472	CRX0472AC	CRX0472AE	472	CRX0472BC	CRX0472BE

Tableau des spécifications des noyau-bobines

Ampères efficaces	Noyau-bobines	Inductance (mH)	Perte en watts	Largeur	Profondeur	Hauteur	Mtg. Largeur	Mtg. Profondeur	Mtg. Fente l x p	Figure	Référence du style de raccordement	Taille du cadre	Enceinte Référence	Poids (lb)
1	CRX0001AC	27,20	21	4,13	2,29	5,13	2,81	1,79	0,28 x 0,38	1	1	1A	CREN1	2,5
	CRX0001BC	47,09	12	4,13	2,29	5,13	2,81	1,79	0,28 x 0,38	1	1	1A	CREN1	2,5
1,1	CRX01D1AC	20,36	12	4,13	2,29	5,13	2,81	1,79	0,28 x 0,38	1	1	1A	CREN1	2,5
	CRX01D1BC	33,94	15	4,13	2,29	5,13	2,81	1,79	0,28 x 0,38	1	1	1A	CREN1	2,5
1,4	CRX01D4AC	20,36	12	4,13	2,29	5,13	2,81	1,79	0,28 x 0,38	1	1	1A	CREN1	2,5
	CRX01D4BC	33,94	15	4,13	2,29	5,13	2,81	1,79	0,28 x 0,38	1	1	1A	CREN1	2,5
1,6	CRX01D6AC	14,91	15	4,13	2,29	5,13	2,81	1,79	0,28 x 0,38	1	1	1A	CREN1	2,5
	CRX01D6BC	23,55	12	4,13	2,29	5,13	2,81	1,79	0,28 x 0,38	1	1	1A	CREN1	2,5
1,8	CRX01D8AC	14,91	15	4,13	2,29	5,13	2,81	1,79	0,28 x 0,38	1	1	1A	CREN1	2,5
	CRX01D8BC	27,20	21	4,13	2,29	5,13	2,81	1,79	0,28 x 0,38	1	1	1A	CREN1	2,5
2	CRX0002CC	20,00	15	4,13	2,29	5,13	2,81	1,79	0,28 x 0,38	1	1	1A	CREN1	3
2,1	CRX02D1AC	10,61	19	4,13	2,29	5,13	2,81	1,79	0,28 x 0,38	1	1	1A	CREN1	2,5
	CRX02D1BC	17,83	21	4,13	2,29	5,13	2,81	1,79	0,28 x 0,38	1	1	1A	CREN1	3
2,4	CRX02D4AC	4,67	29	4,13	2,29	5,13	2,81	1,79	0,28 x 0,38	1	1	1A	CREN1	3
	CRX02D4BC	4,08	9	4,13	2,29	5,13	2,81	1,79	0,28 x 0,38	1	1	1A	CREN1	2,5
	CRX02D4CC	7,06	22	4,13	2,29	5,13	2,81	1,79	0,28 x 0,38	1	1	1A	CREN1	3
	CRX02D4DC	7,06	22	4,13	2,29	5,13	2,81	1,79	0,28 x 0,38	1	1	1A	CREN1	3
2,6	CRX02D6AC	10,61	35	4,13	2,29	5,13	2,81	1,79	0,28 x 0,38	1	1	1A	CREN1	3
	CRX02D6BC	17,83	21	4,13	2,29	5,13	2,81	1,79	0,28 x 0,38	1	1	1A	CREN1	3
2,7	CRX02D7AC	10,61	19	4,13	2,29	5,13	2,81	1,79	0,28 x 0,38	1	1	1A	CREN1	2,5
	CRX02D7BC	17,83	21	4,13	2,29	5,13	2,81	1,79	0,28 x 0,38	1	1	1A	CREN1	3
3	CRX0003AC	7,06	22	4,13	2,29	5,13	2,81	1,79	0,28 x 0,38	1	1	1A	CREN1	3
	CRX0003BC	10,61	35	4,13	2,29	5,13	2,81	1,79	0,28 x 0,38	1	1	1A	CREN1	3
3,4	CRX03D4AC	7,06	22	4,13	2,29	5,13	2,81	1,79	0,28 x 0,38	1	1	1A	CREN1	3
	CRX03D4BC	10,61	35	4,13	2,29	5,13	2,81	1,79	0,28 x 0,38	1	1	1A	CREN1	3
3,5	CRX03D5AC	2,80	15	4,13	2,29	5,13	2,81	1,79	0,28 x 0,38	1	1	1A	CREN1	2,5
	CRX03D5BC	3,55	18	4,13	2,29	5,13	2,81	1,79	0,28 x 0,38	1	1	1A	CREN1	2,5
	CRX03D5CC	5,09	40	6,50	5,00	6,13	4,38	4,00	0,28 x 0,38	1	2	1D	CREN1	11
	CRX03D5DC	4,67	29	4,13	2,29	5,13	2,81	1,79	0,28 x 0,38	1	1	1A	CREN1	3
3,9	CRX03D9AC	7,06	22	4,13	2,29	5,13	2,81	1,79	0,28 x 0,38	1	1	1A	CREN1	3
	CRX03D9BC	10,61	35	4,13	2,29	5,13	2,81	1,79	0,28 x 0,38	1	1	1A	CREN1	3
4	CRX0004CC	9,10	26	4,13	2,29	5,13	2,81	1,79	0,28 x 0,38	1	1	1A	CREN1	3
4,6	CRX04D6AC	2,13	15	4,13	2,29	5,13	2,81	1,79	0,28 x 0,38	1	1	1A	CREN1	2,5
	CRX04D6BC	2,13	15	4,13	2,29	5,13	2,81	1,79	0,28 x 0,38	1	1	1A	CREN1	2,5
	CRX04D6CC	3,55	18	4,13	2,29	5,13	2,81	1,79	0,28 x 0,38	1	1	1A	CREN1	2,5
	CRX04D6DC	4,67	29	4,13	2,29	5,13	2,81	1,79	0,28 x 0,38	1	1	1A	CREN1	3
4,8	CRX04D8AC	4,70	22	4,13	2,29	5,13	2,81	1,79	0,28 x 0,38	1	1	1A	CREN1	3
	CRX04D8BC	7,78	35	4,13	3,51	5,13	2,87	2,63	0,28 x 0,38	1	1	1B	CREN1	4,5
6,1	CRX06D1AC	4,67	29	4,13	2,29	5,13	2,81	1,79	0,28 x 0,38	1	1	1A	CREN1	3
	CRX06D1BC	7,78	35	4,13	3,51	5,13	2,87	2,63	0,28 x 0,38	1	1	1B	CREN1	4,5
6,6	CRX06D6AC	1,48	18	4,13	2,29	5,13	2,81	1,79	0,28 x 0,38	1	1	1A	CREN1	2,5
	CRX06D6BC	1,48	18	4,13	2,29	5,13	2,81	1,79	0,28 x 0,38	1	1	1A	CREN1	2,5
	CRX06D6CC	2,33	24	4,13	2,29	5,13	2,81	1,79	0,28 x 0,38	1	1	1A	CREN1	3
	CRX06D6DC	3,06	31	4,13	3,51	5,13	2,87	2,63	0,28 x 0,38	1	1	1B	CREN1	4,5
7,5	CRX07D5AC	1,31	18	4,13	2,29	5,13	2,81	1,79	0,28 x 0,38	1	1	1A	CREN1	2,5
	CRX07D5BC	1,53	25	4,13	3,51	5,38	2,87	2,63	0,28 x 0,38	1	2	1C	CREN1	4,5
	CRX07D5CC	2,33	24	4,13	2,29	5,13	2,81	1,79	0,28 x 0,38	1	1	1A	CREN1	3
	CRX07D5DC	2,33	24	4,13	2,29	5,13	2,81	1,79	0,28 x 0,38	1	1	1A	CREN1	3
7,6	CRX07D6AC	3,06	31	4,13	3,51	5,13	2,87	2,63	0,28 x 0,38	1	1	1B	CREN1	4,5
	CRX07D6BC	5,09	40	6,50	5,00	6,13	4,38	4,00	0,28 x 0,38	1	2	1D	CREN1	11
8	CRX0008CC	7,50	39	6,50	5,00	6,13	4,38	4,00	0,28 x 0,38	1	2	1D	CREN1	12

Toutes les dimensions en pouces
Voir pages 64-67 pour les dessins

Tableau des spécifications des noyau-bobines suite

Ampères efficaces	Noyau-bobines	Inductance (mH)	Perte en watts	Largeur	Profondeur	Hauteur	Mtg. Largeur	Mtg. Profondeur	Mtg. Fente l x p	Figure	Référence du style de raccordement	Taille du cadre	Enceinte Référence	Poids (lb)
9	CRX0009AC	3,06	31	4,13	3,51	5,13	2,87	2,63	0,28 x 0,38	1	1	1B	CREN1	4,5
	CRX0009BC	5,09	40	6,50	5,00	6,13	4,38	4,00	0,28 x 0,38	1	2	1D	CREN1	11
10,7	CRX10D7AC	0,95	30	4,13	3,51	5,38	2,87	2,63	0,28 x 0,38	1	2	1C	CREN1	4,5
	CRX10D7BC	0,95	30	4,13	3,51	5,38	2,87	2,63	0,28 x 0,38	1	2	1C	CREN1	4,5
	CRX10D7CC	1,64	37	4,13	3,51	5,38	2,87	2,63	0,28 x 0,38	1	2	1C	CREN1	4,5
	CRX10D7DC	1,53	25	4,13	3,51	5,38	2,87	2,63	0,28 x 0,38	1	2	1C	CREN1	4,5
11	CRX0011AC	2,57	36	4,13	3,51	5,38	2,87	2,63	0,28 x 0,38	1	2	1C	CREN1	5
	CRX0011BC	2,10	31	4,13	3,51	5,38	2,87	2,63	0,28 x 0,38	1	2	1C	CREN1	4,5
	CRX0011CC	3,40	39	6,50	5,00	6,13	4,38	4,00	0,28 x 0,38	1	2	1D	CREN1	11
	CRX0011DC	4,28	45	6,50	5,00	6,13	4,38	4,00	0,28 x 0,38	1	2	1D	CREN1	11
12	CRX0012CC	4,20	52	6,50	5,00	6,13	4,38	4,00	0,28 x 0,38	1	2	1D	CREN1	12
14	CRX0014AC	1,64	37	4,13	3,51	5,38	2,87	2,63	0,28 x 0,38	1	2	1C	CREN1	4,5
	CRX0014BC	2,73	57	6,50	5,00	6,13	4,38	4,00	0,28 x 0,38	1	2	1D	CREN1	11,5
16,7	CRX16D7AC	0,59	30	4,13	3,51	5,38	2,87	2,63	0,28 x 0,38	1	2	1C	CREN1	4,5
	CRX16D7BC	0,59	30	4,13	3,51	5,38	2,87	2,63	0,28 x 0,38	1	2	1C	CREN1	4,5
	CRX16D7CC	1,06	57	6,50	5,00	6,13	4,38	4,00	0,28 x 0,38	1	3	1D	CREN1	11,5
	CRX16D7DC	0,95	30	4,13	3,51	5,38	2,87	2,63	0,28 x 0,38	1	2	1C	CREN1	4,5
17	CRX0017AC	1,66	51	6,50	5,00	6,13	4,38	4,00	0,28 x 0,38	1	2	1D	CREN1	10,5
	CRX0017BC	2,73	57	6,50	5,00	6,13	4,38	4,00	0,28 x 0,38	1	2	1D	CREN1	11,5
21	CRX0021AC	1,06	57	6,50	5,00	6,13	4,38	4,00	0,28 x 0,38	1	3	1D	CREN1	11,5
	CRX0021BC	1,80	57	6,50	5,00	6,13	4,38	4,00	0,28 x 0,38	1	2	1D	CREN1	11,5
22	CRX0022AC	1,28	51	6,50	5,00	6,13	4,38	4,00	0,28 x 0,38	1	2	1D	CREN1	11
	CRX0022BC	2,14	77	6,50	5,00	6,13	4,38	4,00	0,28 x 0,38	1	2	1D	CREN1	12
24	CRX0024AC	0,41	35	4,13	3,51	5,38	2,87	2,63	0,28 x 0,38	1	2	1C	CREN1	4,5
	CRX0024BC	0,55	68	6,50	5,00	6,13	4,38	4,00	0,28 x 0,38	1	3	1D	CREN1	12
	CRX0024CC	0,68	47	6,50	5,00	6,13	4,38	4,00	0,28 x 0,38	1	2	1D	CREN1	11
	CRX0024DC	0,86	60	6,50	5,00	6,13	4,38	4,00	0,28 x 0,38	1	2	1D	CREN1	10,5
27	CRX0027AC	1,06	57	6,50	5,00	6,13	4,38	4,00	0,28 x 0,38	1	3	1D	CREN1	11,5
	CRX0027BC	0,86	60	6,50	5,00	6,13	4,38	4,00	0,28 x 0,38	1	2	1D	CREN1	10,5
	CRX0027CC	1,40	57	6,50	5,00	6,13	4,38	4,00	0,28 x 0,38	1	3	1D	CREN1	12,5
	CRX0027DC	1,77	93	7,12	4,69	6,38	4,80	3,27	0,38 x 0,50	2	3	2A	CREN2	11,5
31	CRX0031AC	0,32	31	6,50	5,00	6,13	4,38	4,00	0,28 x 0,38	1	3	1D	CREN1	10,5
	CRX0031BC	0,32	31	6,50	5,00	6,13	4,38	4,00	0,28 x 0,38	1	3	1D	CREN1	10,5
	CRX0031CC	0,55	68	6,50	5,00	6,13	4,38	4,00	0,28 x 0,38	1	3	1D	CREN1	12
	CRX0031DC	0,68	80	6,50	5,00	6,13	4,38	4,00	0,28 x 0,38	1	3	1D	CREN1	12,5
32	CRX0032AC	0,88	68	6,50	5,00	6,13	4,38	4,00	0,28 x 0,38	1	3	1D	CREN1	12
	CRX0032BC	1,43	80	7,12	4,69	6,38	4,80	3,27	0,38 x 0,50	2	3	2A	CREN2	12,5
34	CRX0034AC	0,68	80	6,50	5,00	6,13	4,38	4,00	0,28 x 0,38	1	3	1D	CREN1	12,5
	CRX0034BC	1,13	115	7,12	5,19	6,38	4,80	3,77	0,38 x 0,50	2	3	2B	CREN2	12
35	CRX0035CC	1,70	93	7,12	5,19	6,38	4,80	3,77	0,38 x 0,50	2	3	2B	CREN2	24
40	CRX0040AC	0,55	68	6,50	5,00	6,13	4,38	4,00	0,28 x 0,38	1	3	1D	CREN1	12
	CRX0040BC	0,94	105	7,12	4,69	6,38	4,80	3,27	0,38 x 0,50	2	3	2A	CREN2	12,5
41	CRX0041AC	0,68	80	6,50	5,00	6,13	4,38	4,00	0,28 x 0,38	1	3	1D	CREN1	12,5
	CRX0041BC	1,13	115	7,12	5,19	6,38	4,80	3,77	0,38 x 0,50	2	3	2B	CREN2	12
45	CRX0045CC	1,20	140	7,12	5,19	6,38	4,80	3,77	0,38 x 0,50	2	3	2B	CREN2	24
46	CRX0046AC	0,21	40	6,50	5,00	6,13	4,38	4,00	0,28 x 0,38	1	3	1D	CREN1	11
	CRX0046BC	0,21	40	6,50	5,00	6,13	4,38	4,00	0,28 x 0,38	1	3	1D	CREN1	11
	CRX0046CC	0,36	60	6,50	5,00	6,13	4,38	4,00	0,28 x 0,38	1	3	1D	CREN1	11,5
	CRX0046DC	0,45	130	7,12	4,69	6,38	4,80	3,27	0,38 x 0,50	2	3	2A	CREN2	19
52	CRX0052AC	0,50	70	7,12	4,69	6,38	4,80	3,27	0,38 x 0,50	2	3	2A	CREN2	15
	CRX0052BC	0,43	85	7,12	4,69	6,38	4,80	3,27	0,38 x 0,50	2	3	2A	CREN2	17

Toutes les dimensions en pouces
Voir pages 64-67 pour les dessins

Tableau des spécifications des noyau-bobines suite

Ampères efficaces	Noyau-bobines	Inductance (mH)	Perte en watts	Largeur	Profondeur	Hauteur	Mtg. Largeur	Mtg. Profondeur	Mtg. Fente l x p	Figure	Référence du style de raccordement	Taille du cadre	Enceinte Référence	Poids (lb)
52	CRX0052CC	0,91	130	7,12	5,19	6,38	4,80	3,77	0,38 x 0,50	2	3	2B	CREN2	25
	CRX0052DC	0,74	170	7,12	5,19	6,38	4,80	3,77	0,38 x 0,50	2	3	2B	CREN2	25
59	CRX0059AC	0,17	55	6,50	5,00	6,13	4,38	4,00	0,28 x 0,38	1	3	1D	CREN1	11,5
	CRX0059BC	0,22	85	7,25	5,88	5,63	4,80	3,27	0,38 x 0,50	3	4	3A	CREN2	18
	CRX0059CC	0,30	75	7,12	4,69	6,38	4,80	3,27	0,38 x 0,50	2	3	2A	CREN2	16
	CRX0059DC	0,36	110	7,25	6,00	5,63	4,80	3,77	0,38 x 0,50	3	4	3C	CREN2	25
62	CRX0062AC	0,45	130	7,12	4,69	6,38	4,80	3,27	0,38 x 0,50	2	3	2A	CREN2	19
	CRX0062BC	0,74	170	7,12	5,19	6,38	4,80	3,77	0,38 x 0,50	2	3	2B	CREN2	25
65	CRX0065AC	0,34	110	7,25	6,00	5,63	4,80	3,77	0,38 x 0,50	3	4	3C	CREN2	25
	CRX0065BC	0,57	120	7,25	6,00	5,63	4,80	3,77	0,38 x 0,50	3	4	3C	CREN2	25
75	CRX0075AC	0,12	70	7,25	5,88	5,63	4,80	3,27	0,38 x 0,50	3	4	3A	CREN2	17
	CRX0075BC	0,19	95	7,25	5,88	5,63	4,80	3,27	0,38 x 0,50	3	4	3A	CREN2	18
	CRX0075CC	0,22	85	7,25	5,88	5,63	4,80	3,27	0,38 x 0,50	3	4	3A	CREN2	18
	CRX0075DC	0,29	105	7,25	6,00	5,63	4,80	3,77	0,38 x 0,50	3	4	3C	CREN2	21
77	CRX0077AC	0,29	105	7,25	6,00	5,63	4,80	3,77	0,38 x 0,50	3	4	3C	CREN2	21
	CRX0077BC	0,36	110	7,25	6,00	5,63	4,80	3,77	0,38 x 0,50	3	4	3C	CREN2	25
	CRX0077CC	0,60	216	9,25	6,25	7,00	6,00	3,70	0,44 x 1,0	3	4	3E	CREN2	30
	CRX0077DC	0,49	160	7,25	6,00	5,63	4,80	3,77	0,38 x 0,50	3	4	3C	CREN2	24
88	CRX0088AC	0,12	70	7,25	5,88	5,63	4,80	3,27	0,38 x 0,50	3	4	3A	CREN2	17
	CRX0088BC	0,12	70	7,25	5,88	5,63	4,80	3,27	0,38 x 0,50	3	4	3A	CREN2	17
	CRX0088CC	0,19	95	7,25	5,88	5,63	4,80	3,27	0,38 x 0,50	3	4	3A	CREN2	18
	CRX0088DC	0,24	120	7,25	6,00	5,63	4,80	3,77	0,38 x 0,50	3	4	3C	CREN2	24
96	CRX0096AC	0,24	120	7,25	6,00	5,63	4,80	3,77	0,38 x 0,50	3	4	3C	CREN2	24
	CRX0096BC	0,39	170	9,25	8,25	7,00	6,00	5,70	0,44 x 1,0	3	4	3N	CREN2	49
99	CRX0099AC	0,28	125	7,25	6,00	5,63	4,80	3,77	0,38 x 0,50	3	4	3C	CREN2	26
	CRX0099BC	0,48	210	9,25	8,00	7,00	6,00	5,45	0,44 x 1,0	3	4	3L	CREN2	48
114	CRX0114AC	0,09	70	7,25	6,00	5,63	4,80	3,27	0,38 x 0,50	3	5	3B	CREN2	18
	CRX0114BC	0,11	140	9,25	6,75	7,00	6,00	3,83	0,44 x 1,0	3	5	3F	CREN2	28
	CRX0114CC	0,14	110	9,25	7,25	7,00	6,00	4,33	0,44 x 1,0	3	5	3J	CREN2	33
	CRX0114DC	0,19	190	10,80	8,25	10,00	7,20	5,21	0,44 x 1,0	4	5	4A	CRECH2	52
124	CRX0124AC	0,19	190	10,80	8,25	10,00	7,20	5,21	0,44 x 1,0	4	5	4A	CRECH2	52
	CRX0124BC	0,30	185	9,25	8,63	7,00	6,00	5,20	0,44 x 1,0	3	5	3Q	CREN2	48
125	CRX0125AC	0,23	160	9,25	7,63	7,00	6,00	4,70	0,44 x 1,0	3	5	3K	CREN2	41
	CRX0125BC	0,38	250	10,80	9,13	10,00	7,20	6,08	0,44 x 1,0	4	5	4C	CRECH2	67
143	CRX0143AC	0,07	88	7,25	6,00	5,63	4,80	3,27	0,38 x 0,50	3	5	3B	CREN2	20
	CRX0143BC	0,10	130	9,25	7,00	7,00	6,00	3,95	0,44 x 1,0	3	5	3H	CREN2	34
	CRX0143CC	0,11	140	9,25	6,75	7,00	6,00	3,83	0,44 x 1,0	3	5	3F	CREN2	28
	CRX0143DC	0,11	140	9,25	6,75	7,00	6,00	3,83	0,44 x 1,0	3	5	3F	CREN2	28
144	CRX0144AC	0,19	190	10,80	8,25	10,00	7,20	5,21	0,44 x 1,0	4	5	4A	CRECH2	52
	CRX0144BC	0,35	240	10,80	9,50	10,00	7,20	6,33	0,44 x 1,0	4	5	4D	CRECH4	74
156	CRX0156AC	0,15	210	9,25	7,00	7,00	6,00	4,08	0,44 x 1,0	3	5	3G	CREN2	32
	CRX0156BC	0,24	260	9,25	8,63	7,00	6,00	5,70	0,44 x 1,0	3	5	3R	CRECH2	32
170	CRX0170AC	0,06	100	7,25	6,25	5,63	4,80	3,77	0,38 x 0,50	3	5	3D	CREN2	23
	CRX0170BC	0,06	100	7,25	6,25	5,63	4,80	3,77	0,38 x 0,50	3	5	3D	CREN2	23
	CRX0170CC	0,10	130	9,25	7,00	7,00	6,00	3,95	0,44 x 1,0	3	5	3H	CREN2	34
	CRX0170DC	0,10	130	9,25	7,00	7,00	6,00	3,95	0,44 x 1,0	3	5	3H	CREN2	34
180	CRX0180AC	0,13	180	9,25	8,88	7,00	6,00	5,95	0,44 x 1,0	3	5	3S	CRECH2	54
	CRX0180BC	0,21	250	10,80	8,38	10,00	7,20	5,33	0,44 x 1,0	4	5	4B	CRECH2	63
192	CRX0192AC	0,15	200	9,25	8,25	7,00	6,00	5,45	0,44 x 1,0	3	5	3P	CRECH2	53
	CRX0192BC	0,25	325	10,80	10,50	10,00	7,20	7,33	0,44 x 1,0	4	5	4E	CRECH2	90
200	CRX0200CC	0,11	195	9,25	7,63	7,00	6,00	4,70	0,44 x 1,0	3	5	3K	CRECH2	44

Toutes les dimensions en pouces
Voir pages 64-67 pour les dessins

Tableau des spécifications des noyau-bobines *suite*

Ampères efficaces	Noyau-bobines	Inductance (mH)	Perte en watts	Largeur	Pro-fondeur	Hau-teur	Mtg. Lar-geur	Mtg. Pro-fon-deur	Mtg. Fente l x p	Figure	Référence du style de rac-cordement	Taille du cadre	Enceinte Référence	Poids (lb)
211	CRX0211AC	0,05	125	7,25	6,25	5,63	4,80	3,77	0,38 x 0,50	3	5	3D	CREN2	24
	CRX0211BC	0,05	125	7,25	6,25	5,63	4,80	3,77	0,38 x 0,50	3	5	3D	CREN2	24
	CRX0211CC	0,08	180	9,25	7,63	7,00	6,00	4,70	0,44 x 1,0	3	5	3K	CRECH2	39
	CRX0211DC	0,10	225	11,05	8,25	10,00	7,20	5,21	0,44 x 1,0	4	5	4G	CRECH2	58
240	CRX0240AC	0,10	225	11,05	8,25	10,00	7,20	5,21	0,44 x 1,0	4	5	4G	CRECH2	58
	CRX0240BC	0,16	435	13,75	11,63	12,50	9,00	8,70	0,44 x 1,0	4	5	4V	CRECH4	155
242	CRX0242AC	0,12	275	11,05	8,25	10,00	7,20	5,08	0,44 x 1,0	4	5	4F	CRECH2	59
	CRX0242BC	0,20	360	11,05	9,50	10,00	7,20	6,46	0,44 x 1,0	4	5	4M	CRECH4	87
273	CRX0273AC	0,04	130	9,25	8,13	7,00	6,00	5,20	0,44 x 1,0	3	5	3M	CRECH2	43
	CRX0273BC	0,04	130	9,25	8,13	7,00	6,00	5,20	0,44 x 1,0	3	5	3M	CRECH2	43
	CRX0273CC	0,06	200	11,05	9,13	10,00	7,20	6,08	0,44 x 1,0	4	5	4L	CRECH4	67
	CRX0273DC	0,08	310	13,75	9,00	12,50	9,00	6,05	0,44 x 1,0	4	5	4M	CRECH4	84
289	CRX0289AC	0,10	290	11,05	9,00	10,00	7,20	5,96	0,44 x 1,0	4	5	4K	CRECH4	75
	CRX0289BC	0,16	435	13,75	11,63	12,50	9,00	8,70	0,44 x 1,0	4	5	4V	CRECH4	155
302	CRX0302AC	0,08	310	13,75	9,00	12,50	9,00	6,05	0,44 x 1,0	4	5	4M	CRECH4	84
	CRX0302BC	0,13	475	13,75	11,38	14,50	9,00	8,42	0,44 x 1,0	4	5	4AA	CRECH4	171
336	CRX0336AC	0,08	360	13,75	9,38	14,50	9,00	6,42	0,44 x 1,0	4	5	4W	CRECH4	110
	CRX0336BC	0,13	475	13,75	11,38	14,50	9,00	8,42	0,44 x 1,0	4	5	4AA	CRECH4	171
343	CRX0343AC	0,03	200	11,05	8,63	10,00	7,20	5,58	0,44 x 1,0	4	5	4H	CRECH4	57
	CRX0343BC	0,03	200	11,05	8,63	10,00	7,20	5,58	0,44 x 1,0	4	5	4H	CRECH4	57
	CRX0343CC	0,05	230	11,05	8,88	10,00	7,20	5,83	0,44 x 1,0	4	5	4J	CRECH4	66
	CRX0343DC	0,06	325	13,75	9,38	12,50	9,00	6,42	0,44 x 1,0	4	5	4Q	CRECH4	95
361	CRX0361AC	0,06	325	13,75	9,38	12,50	9,00	6,42	0,44 x 1,0	4	5	4Q	CRECH4	95
	CRX0361BC	0,10	445	13,75	11,38	12,50	9,00	8,42	0,44 x 1,0	4	5	4U	CRECH5	147
382	CRX0382AC	0,07	435	13,75	10,38	12,50	9,00	7,30	0,44 x 1,0	4	5	4S	CRECH5	116
	CRX0382BC	0,12	580	13,75	11,50	14,50	9,00	8,67	0,44 x 1,0	4	5	4AB	CRECH5	180
396	CRX0396AC	0,03	200	11,05	8,63	10,00	7,20	5,58	0,44 x 1,0	4	5	4H	CRECH4	57
	CRX0396BC	0,03	200	11,05	8,63	10,00	7,20	5,58	0,44 x 1,0	4	5	4H	CRECH4	57
	CRX0396CC	0,04	300	13,75	9,38	12,50	9,00	6,42	0,44 x 1,0	4	5	4Q	CRECH4	92
	CRX0396DC	0,04	300	13,75	9,38	12,50	9,00	6,42	0,44 x 1,0	4	5	4Q	CRECH4	92
412	CRX0412AC	0,07	435	13,75	10,38	12,50	9,00	7,30	0,44 x 1,0	4	5	4S	CRECH5	116
	CRX0412BC	0,11	550	13,75	10,88	12,50	9,00	7,92	0,44 x 1,0	4	5	4T	CRECH5	146
414	CRX0414AC	0,06	400	13,75	10,13	12,50	9,00	7,17	0,44 x 1,0	4	5	4R	CRECH5	125
	CRX0414BC	0,08	505	13,75	11,38	12,50	9,00	8,42	0,44 x 1,0	4	5	4U	CRECH5	143
472	CRX0472AC	0,06	400	13,75	10,13	12,50	9,00	7,17	0,44 x 1,0	4	5	4R	CRECH5	125
	CRX0472BC	0,10	560	13,75	11,63	12,50	9,00	8,70	0,44 x 1,0	4	5	4V	CRECH5	171
477	CRX0477AC	0,05	420	13,75	10,88	14,50	9,00	7,42	0,44 x 1,0	4	6	4Z	CRECH6	145
	CRX0477BC	0,08	600	13,75	13,38	14,50	9,00	9,92	0,44 x 1,0	4	6	4AC	CRECH6	220
515	CRX0515AC	0,05	420	13,75	10,88	14,50	9,00	7,42	0,44 x 1,0	4	6	4Z	CRECH6	145
	CRX0515BC	0,08	600	13,75	13,38	14,50	9,00	9,92	0,44 x 1,0	4	6	4AC	CRECH6	220
528	CRX0528AC	0,02	220	13,75	9,38	12,50	9,00	5,70	0,44 x 1,0	4	6	4P	CRECH5	74
	CRX0528BC	0,02	220	13,75	9,38	12,50	9,00	5,70	0,44 x 1,0	4	6	4P	CRECH5	74
	CRX0528CC	0,03	355	13,75	9,63	14,50	9,00	6,17	0,44 x 1,0	4	6	4X	CRECH5	102
	CRX0528DC	0,04	495	13,75	10,63	14,50	9,00	7,17	0,44 x 1,0	4	6	4Y	CRECH5	133
590	CRX0590AC	0,04	495	13,75	10,63	14,50	9,00	7,17	0,44 x 1,0	4	6	4Y	CRECH5	133
	CRX0590BC	0,06	680	13,75	13,38	14,50	9,00	9,92	0,44 x 1,0	4	6	4AC	CRECH6	220
720	CRX0720AC	0,03	480	13,75	11,63	14,50	9,00	7,17	0,44 x 1,0	5	6	5A	CRECH6	145
840	CRX0840AC	0,03	570	13,75	11,88	14,50	9,00	7,17	0,44 x 1,0	5	6	5B	CRECH6	150
960	CRX0960AC	0,02	675	17,75	13,75	18,50	12,00	7,42	0,44 x 1,0	5	7	5D	CRECH6	270
1080	CRX1080AC	0,02	675	17,75	13,75	18,50	12,00	7,42	0,44 x 1,0	5	7	5D	CRECH6	270
1200	CRX1200AC	0,02	710	17,75	13,25	18,50	12,00	6,92	0,44 x 1,0	5	7	5C	CRECH6	250

Toutes les dimensions en pouces
Voir pages 64-67 pour les dessins

Tableaux des spécifications de l'enceinte

Ampères efficaces	Enceinte	Inductance (mH)	Perte en watts	Largeur	Profondeur	Hauteur	Mtg. Largeur	Mtg. Profondeur	Mtg. Fente l x p	Type d'enceinte	Référence du style de raccordement	Poids (lb)
1	CRX0001AE	27,20	21	10,00	10,00	8,13	7,00	6,00	0,188	N1	1	7,50
	CRX0001BE	47,09	12	10,00	10,00	8,13	7,00	6,00	0,188	N1	1	7,50
1,1	CRX01D1AE	20,36	12	10,00	10,00	8,13	7,00	6,00	0,188	N1	1	7,50
	CRX01D1BE	33,94	15	10,00	10,00	8,13	7,00	6,00	0,188	N1	1	7,50
1,4	CRX01D4AE	20,36	12	10,00	10,00	8,13	7,00	6,00	0,188	N1	1	7,50
	CRX01D4BE	33,94	15	10,00	10,00	8,13	7,00	6,00	0,188	N1	1	7,50
1,6	CRX01D6AE	14,91	15	10,00	10,00	8,13	7,00	6,00	0,188	N1	1	7,50
	CRX01D6BE	23,55	12	10,00	10,00	8,13	7,00	6,00	0,188	N1	1	7,50
1,8	CRX01D8AE	14,91	15	10,00	10,00	8,13	7,00	6,00	0,188	N1	1	7,50
	CRX01D8BE	27,20	21	10,00	10,00	8,13	7,00	6,00	0,188	N1	1	7,50
2	CRX0002CE	20,00	15	10,00	10,00	8,13	7,00	6,00	0,188	N1	1	8,00
2,1	CRX02D1AE	10,61	19	10,00	10,00	8,13	7,00	6,00	0,188	N1	1	7,50
	CRX02D1BE	17,83	21	10,00	10,00	8,13	7,00	6,00	0,188	N1	1	8,00
2,4	CRX02D4AE	4,67	29	10,00	10,00	8,13	7,00	6,00	0,188	N1	1	8,00
	CRX02D4BE	4,08	9	10,00	10,00	8,13	7,00	6,00	0,188	N1	1	7,50
	CRX02D4CE	7,06	22	10,00	10,00	8,13	7,00	6,00	0,188	N1	1	8,00
	CRX02D4DE	7,06	22	10,00	10,00	8,13	7,00	6,00	0,188	N1	1	8,00
2,6	CRX02D6AE	10,61	35	10,00	10,00	8,13	7,00	6,00	0,188	N1	1	8,00
	CRX02D6BE	17,83	21	10,00	10,00	8,13	7,00	6,00	0,188	N1	1	8,00
2,7	CRX02D7AE	10,61	19	10,00	10,00	8,13	7,00	6,00	0,188	N1	1	7,50
	CRX02D7BE	17,83	21	10,00	10,00	8,13	7,00	6,00	0,188	N1	1	8,00
3	CRX0003AE	7,06	22	10,00	10,00	8,13	7,00	6,00	0,188	N1	1	8,00
	CRX0003BE	10,61	35	10,00	10,00	8,13	7,00	6,00	0,188	N1	1	8,00
3,4	CRX03D4AE	7,06	22	10,00	10,00	8,13	7,00	6,00	0,188	N1	1	8,00
	CRX03D4BE	10,61	35	10,00	10,00	8,13	7,00	6,00	0,188	N1	1	8,00
3,5	CRX03D5AE	2,80	15	10,00	10,00	8,13	7,00	6,00	0,188	N1	1	7,50
	CRX03D5BE	3,55	18	10,00	10,00	8,13	7,00	6,00	0,188	N1	1	7,50
	CRX03D5CE	5,09	40	10,00	10,00	8,13	7,00	6,00	0,188	N1	2	16,00
	CRX03D5DE	4,67	29	10,00	10,00	8,13	7,00	6,00	0,188	N1	1	8,00
3,9	CRX03D9AE	7,06	22	10,00	10,00	8,13	7,00	6,00	0,188	N1	1	8,00
	CRX03D9BE	10,61	35	10,00	10,00	8,13	7,00	6,00	0,188	N1	1	8,00
4	CRX0004CE	9,10	26	10,00	10,00	8,13	7,00	6,00	0,188	N1	1	8,00
4,6	CRX04D6AE	2,13	15	10,00	10,00	8,13	7,00	6,00	0,188	N1	1	7,50
	CRX04D6BE	2,13	15	10,00	10,00	8,13	7,00	6,00	0,188	N1	1	7,50
	CRX04D6CE	3,55	18	10,00	10,00	8,13	7,00	6,00	0,188	N1	1	7,50
	CRX04D6DE	4,67	29	10,00	10,00	8,13	7,00	6,00	0,188	N1	1	8,00
4,8	CRX04D8AE	4,70	22	10,00	10,00	8,13	7,00	6,00	0,188	N1	1	8,00
	CRX04D8BE	7,78	35	10,00	10,00	8,13	7,00	6,00	0,188	N1	1	9,50
6,1	CRX06D1AE	4,67	29	10,00	10,00	8,13	7,00	6,00	0,188	N1	1	8,00
	CRX06D1BE	7,78	35	10,00	10,00	8,13	7,00	6,00	0,188	N1	1	9,50
6,6	CRX06D6AE	1,48	18	10,00	10,00	8,13	7,00	6,00	0,188	N1	1	7,50
	CRX06D6BE	1,48	18	10,00	10,00	8,13	7,00	6,00	0,188	N1	1	7,50
	CRX06D6CE	2,33	24	10,00	10,00	8,13	7,00	6,00	0,188	N1	1	8,00
	CRX06D6DE	3,06	31	10,00	10,00	8,13	7,00	6,00	0,188	N1	1	9,50
7,5	CRX07D5AE	1,31	18	10,00	10,00	8,13	7,00	6,00	0,188	N1	1	7,50
	CRX07D5BE	1,53	25	10,00	10,00	8,13	7,00	6,00	0,188	N1	2	9,50
	CRX07D5CE	2,33	24	10,00	10,00	8,13	7,00	6,00	0,188	N1	1	8,00
	CRX07D5DE	2,33	24	10,00	10,00	8,13	7,00	6,00	0,188	N1	1	8,00
7,6	CRX07D6AE	3,06	31	10,00	10,00	8,13	7,00	6,00	0,188	N1	1	9,50
	CRX07D6BE	5,09	40	10,00	10,00	8,13	7,00	6,00	0,188	N1	2	16,00
8	CRX0008CE	7,50	39	10,00	10,00	8,13	7,00	6,00	0,188	N1	2	17,00

Toutes les dimensions en pouces
Voir pages 67-68 pour les dessins

Tableaux des spécifications de l'enceinte *suite*

Ampères efficaces	Enceinte	Inductance (mH)	Perte en watts	Largeur	Pro-fondeur	Hau-teur	Mtg. Lar-geur	Mtg. Pro-fon-deur	Mtg. Fente l x p	Type d'en-ceinte	Référence du style de rac-cordement	Poids (lb)
9	CRX0009AE	3,06	31	10,00	10,00	8,13	7,00	6,00	0,188	N1	1	9,50
	CRX0009BE	5,09	40	10,00	10,00	8,13	7,00	6,00	0,188	N1	2	16,00
10,7	CRX10D7AE	0,95	30	10,00	10,00	8,13	7,00	6,00	0,188	N1	2	9,50
	CRX10D7BE	0,95	30	10,00	10,00	8,13	7,00	6,00	0,188	N1	2	9,50
	CRX10D7CE	1,64	37	10,00	10,00	8,13	7,00	6,00	0,188	N1	2	9,50
	CRX10D7DE	1,53	25	10,00	10,00	8,13	7,00	6,00	0,188	N1	2	9,50
11	CRX0011AE	2,57	36	10,00	10,00	8,13	7,00	6,00	0,188	N1	2	10,00
	CRX0011BE	2,10	31	10,00	10,00	8,13	7,00	6,00	0,188	N1	2	9,50
	CRX0011CE	3,40	39	10,00	10,00	8,13	7,00	6,00	0,188	N1	2	16,00
	CRX0011DE	4,28	45	10,00	10,00	8,13	7,00	6,00	0,188	N1	2	16,00
12	CRX0012CE	4,20	52	10,00	10,00	8,13	7,00	6,00	0,188	N1	2	17,00
14	CRX0014AE	1,64	37	10,00	10,00	8,13	7,00	6,00	0,188	N1	2	9,50
	CRX0014BE	2,73	57	10,00	10,00	8,13	7,00	6,00	0,188	N1	2	16,50
16,7	CRX16D7AE	0,59	30	10,00	10,00	8,13	7,00	6,00	0,188	N1	2	9,50
	CRX16D7BE	0,59	30	10,00	10,00	8,13	7,00	6,00	0,188	N1	2	9,50
	CRX16D7CE	1,06	57	10,00	10,00	8,13	7,00	6,00	0,188	N1	3	16,50
	CRX16D7DE	0,95	30	10,00	10,00	8,13	7,00	6,00	0,188	N1	2	9,50
17	CRX0017AE	1,66	51	10,00	10,00	8,13	7,00	6,00	0,188	N1	2	15,50
	CRX0017BE	2,73	57	10,00	10,00	8,13	7,00	6,00	0,188	N1	2	16,50
21	CRX0021AE	1,06	57	10,00	10,00	8,13	7,00	6,00	0,188	N1	3	16,50
	CRX0021BE	1,80	57	10,00	10,00	8,13	7,00	6,00	0,188	N1	2	16,50
22	CRX0022AE	1,28	51	10,00	10,00	8,13	7,00	6,00	0,188	N1	2	16,00
	CRX0022BE	2,14	77	10,00	10,00	8,13	7,00	6,00	0,188	N1	2	17,00
24	CRX0024AE	0,41	35	10,00	10,00	8,13	7,00	6,00	0,188	N1	2	9,50
	CRX0024BE	0,55	68	10,00	10,00	8,13	7,00	6,00	0,188	N1	3	17,00
	CRX0024CE	0,68	47	10,00	10,00	8,13	7,00	6,00	0,188	N1	2	16,00
	CRX0024DE	0,86	60	10,00	10,00	8,13	7,00	6,00	0,188	N1	2	15,50
27	CRX0027AE	1,06	57	10,00	10,00	8,13	7,00	6,00	0,188	N1	3	16,50
	CRX0027BE	0,86	60	10,00	10,00	8,13	7,00	6,00	0,188	N1	2	15,50
	CRX0027CE	1,40	57	10,00	10,00	8,13	7,00	6,00	0,188	N1	3	17,50
	CRX0027DE	1,77	93	14,00	14,00	12,13	10,00	10,50	0,188	N2	3	21,50
31	CRX0031AE	0,32	31	10,00	10,00	8,13	7,00	6,00	0,188	N1	3	15,50
	CRX0031BE	0,32	31	10,00	10,00	8,13	7,00	6,00	0,188	N1	3	15,50
	CRX0031CE	0,55	68	10,00	10,00	8,13	7,00	6,00	0,188	N1	3	17,00
	CRX0031DE	0,68	80	10,00	10,00	8,13	7,00	6,00	0,188	N1	3	17,50
32	CRX0032AE	0,88	68	10,00	10,00	8,13	7,00	6,00	0,188	N1	3	17,00
	CRX0032BE	1,43	80	14,00	14,00	12,13	10,00	10,50	0,188	N2	3	22,50
34	CRX0034AE	0,68	80	10,00	10,00	8,13	7,00	6,00	0,188	N1	3	17,50
	CRX0034BE	1,13	115	14,00	14,00	12,13	10,00	10,50	0,188	N2	3	22,00
35	CRX0035CE	1,70	93	14,00	14,00	12,13	10,00	10,50	0,188	N2	3	34,00
40	CRX0040AE	0,55	68	10,00	10,00	8,13	7,00	6,00	0,188	N1	3	17,00
	CRX0040BE	0,94	105	14,00	14,00	12,13	10,00	10,50	0,188	N2	3	22,50
41	CRX0041AE	0,68	80	10,00	10,00	8,13	7,00	6,00	0,188	N1	3	17,50
	CRX0041BE	1,13	115	14,00	14,00	12,13	10,00	10,50	0,188	N2	3	22,00
45	CRX0045CE	1,20	140	14,00	14,00	12,13	10,00	10,50	0,188	N2	3	34,00
46	CRX0046AE	0,21	40	10,00	10,00	8,13	7,00	6,00	0,188	N1	3	16,00
	CRX0046BE	0,21	40	10,00	10,00	8,13	7,00	6,00	0,188	N1	3	16,00
	CRX0046CE	0,36	60	10,00	10,00	8,13	7,00	6,00	0,188	N1	3	16,50
	CRX0046DE	0,45	130	14,00	14,00	12,13	10,00	10,50	0,188	N2	3	29,00
52	CRX0052AE	0,50	70	14,00	14,00	12,13	10,00	10,50	0,188	N2	3	25,00
	CRX0052BE	0,43	85	14,00	14,00	12,13	10,00	10,50	0,188	N2	3	27,00

Toutes les dimensions en pouces
Voir pages 67-68 pour les dessins

Tableaux des spécifications de l'enceinte *suite*

Ampères efficaces	Enceinte	Inductance (mH)	Perte en watts	Largeur	Pro-fon-deur	Hau-teur	Mtg. Lar-geur	Mtg. Pro-fon-deur	Mtg. Fente l x p	Type d'en-ceinte	Référence du style de rac-cordement	Poids (lb)
52	CRX0052CE	0,91	130	14,00	14,00	12,13	10,00	10,50	0,188	N2	3	35,00
	CRX0052DE	0,74	170	14,00	14,00	12,13	10,00	10,50	0,188	N2	3	35,00
59	CRX0059AE	0,17	55	10,00	10,00	8,13	7,00	6,00	0,188	N1	3	16,50
	CRX0059BE	0,22	85	14,00	14,00	12,13	10,00	10,50	0,188	N2	4	28,00
	CRX0059CE	0,30	75	14,00	14,00	12,13	10,00	10,50	0,188	N2	3	26,00
	CRX0059DE	0,36	110	14,00	14,00	12,13	10,00	10,50	0,188	N2	4	35,00
62	CRX0062AE	0,45	130	14,00	14,00	12,13	10,00	10,50	0,188	N2	3	29,00
	CRX0062BE	0,74	170	14,00	14,00	12,13	10,00	10,50	0,188	N2	3	35,00
65	CRX0065AE	0,34	110	14,00	14,00	12,13	10,00	10,50	0,188	N2	4	35,00
	CRX0065BE	0,57	120	14,00	14,00	12,13	10,00	10,50	0,188	N2	4	35,00
75	CRX0075AE	0,12	70	14,00	14,00	12,13	10,00	10,50	0,188	N2	4	27,00
	CRX0075BE	0,19	95	14,00	14,00	12,13	10,00	10,50	0,188	N2	4	28,00
	CRX0075CE	0,22	85	14,00	14,00	12,13	10,00	10,50	0,188	N2	4	28,00
	CRX0075DE	0,29	105	14,00	14,00	12,13	10,00	10,50	0,188	N2	4	31,00
77	CRX0077AE	0,29	105	14,00	14,00	12,13	10,00	10,50	0,188	N2	4	31,00
	CRX0077BE	0,36	110	14,00	14,00	12,13	10,00	10,50	0,188	N2	4	35,00
	CRX0077CE	0,60	216	14,00	14,00	12,13	10,00	10,50	0,188	N2	4	40,00
	CRX0077DE	0,49	160	14,00	14,00	12,13	10,00	10,50	0,188	N2	4	34,00
88	CRX0088AE	0,12	70	14,00	14,00	12,13	10,00	10,50	0,188	N2	4	27,00
	CRX0088BE	0,12	70	14,00	14,00	12,13	10,00	10,50	0,188	N2	4	27,00
	CRX0088CE	0,19	95	14,00	14,00	12,13	10,00	10,50	0,188	N2	4	28,00
	CRX0088DE	0,24	120	14,00	14,00	12,13	10,00	10,50	0,188	N2	4	34,00
96	CRX0096AE	0,24	120	14,00	14,00	12,13	10,00	10,50	0,188	N2	4	34,00
	CRX0096BE	0,39	170	14,00	14,00	12,13	10,00	10,50	0,188	N2	4	59,00
99	CRX0099AE	0,28	125	14,00	14,00	12,13	10,00	10,50	0,188	N2	4	36,00
	CRX0099BE	0,48	210	14,00	14,00	12,13	10,00	10,50	0,188	N2	4	58,00
114	CRX0114AE	0,09	70	14,00	14,00	12,13	10,00	10,50	0,188	N2	5	28,00
	CRX0114BE	0,11	140	14,00	14,00	12,13	10,00	10,50	0,188	N2	5	38,00
	CRX0114CE	0,14	110	14,00	14,00	12,13	10,00	10,50	0,188	N2	5	43,00
	CRX0114DE	0,19	190	23,50	16,50	17,90	22,40	6,50	0,56	CH2	5	83,00
124	CRX0124AE	0,19	190	23,50	16,50	17,90	22,40	6,50	0,56	CH2	5	83,00
	CRX0124BE	0,30	185	14,00	14,00	12,13	10,00	10,50	0,188	N2	5	58,00
125	CRX0125AE	0,23	160	14,00	14,00	12,13	10,00	10,50	0,188	N2	5	51,00
	CRX0125BE	0,38	250	23,50	16,50	17,90	22,40	6,50	0,56	CH2	5	98,00
143	CRX0143AE	0,07	88	14,00	14,00	12,13	10,00	10,50	0,188	N2	5	30,00
	CRX0143BE	0,10	130	14,00	14,00	12,13	10,00	10,50	0,188	N2	5	44,00
	CRX0143CE	0,11	140	14,00	14,00	12,13	10,00	10,50	0,188	N2	5	38,00
	CRX0143DE	0,11	140	14,00	14,00	12,13	10,00	10,50	0,188	N2	5	38,00
144	CRX0144AE	0,19	190	23,50	16,50	17,90	22,40	6,50	0,56	CH2	5	83,00
	CRX0144BE	0,35	240	26,10	20,50	25,90	25,00	6,50	0,56	CH4	5	114,00
156	CRX0156AE	0,15	210	14,00	14,00	12,13	10,00	10,50	0,188	N2	5	42,00
	CRX0156BE	0,24	260	23,50	16,50	17,90	22,40	6,50	0,56	CH2	5	63,00
170	CRX0170AE	0,06	100	14,00	14,00	12,13	10,00	10,50	0,188	N2	5	33,00
	CRX0170BE	0,06	100	14,00	14,00	12,13	10,00	10,50	0,188	N2	5	33,00
	CRX0170CE	0,10	130	14,00	14,00	12,13	10,00	10,50	0,188	N2	5	44,00
	CRX0170DE	0,10	130	14,00	14,00	12,13	10,00	10,50	0,188	N2	5	44,00
180	CRX0180AE	0,13	180	23,50	16,50	17,90	22,40	6,50	0,56	CH2	5	85,00
	CRX0180BE	0,21	250	23,50	16,50	17,90	22,40	6,50	0,56	CH2	5	94,00
192	CRX0192AE	0,15	200	23,50	16,50	17,90	22,40	6,50	0,56	CH2	5	84,00
	CRX0192BE	0,25	325	23,50	16,50	17,90	22,40	6,50	0,56	CH2	5	121,00
200	CRX0200CE	0,11	195	23,50	16,50	17,90	22,40	6,50	0,56	CH2	5	75,00

Toutes les dimensions en pouces
Voir pages 67-68 pour les dessins

Tableaux des spécifications de l'enceinte *suite*

Ampères efficaces	Enceinte	Inductance (mH)	Perte en watts	Largeur	Profondeur	Hauteur	trou de montage Largeur	trou de montage Profondeur	trou de montage Fente l x p	Type d'enceinte	Référence du style de raccordement	Poids (lb)
211	CRX0211AE	0,05	125	14,00	14,00	12,13	10,00	10,50	0,188	N2	5	34,00
	CRX0211BE	0,05	125	14,00	14,00	12,13	10,00	10,50	0,188	N2	5	34,00
	CRX0211CE	0,08	180	23,50	16,50	17,90	22,40	6,50	0,56	CH2	5	70,00
	CRX0211DE	0,10	225	23,50	16,50	17,90	22,40	6,50	0,56	CH2	5	89,00
240	CRX0240AE	0,10	225	23,50	16,50	17,90	22,40	6,50	0,56	CH2	5	89,00
	CRX0240BE	0,16	435	26,10	20,50	25,90	25,00	6,50	0,56	CH4	5	195,00
242	CRX0242AE	0,12	275	23,50	16,50	17,90	22,40	6,50	0,56	CH2	5	90,00
	CRX0242BE	0,20	360	26,10	20,50	25,90	25,00	6,50	0,56	CH4	5	127,00
273	CRX0273AE	0,04	130	23,50	16,50	17,90	22,40	6,50	0,56	CH2	5	74,00
	CRX0273BE	0,04	130	23,50	16,50	17,90	22,40	6,50	0,56	CH2	5	74,00
	CRX0273CE	0,06	200	26,10	20,50	25,90	25,00	6,50	0,56	CH4	5	107,00
	CRX0273DE	0,08	310	26,10	20,50	25,90	25,00	6,50	0,56	CH4	5	124,00
289	CRX0289AE	0,10	290	26,10	20,50	25,90	25,00	6,50	0,56	CH4	5	115,00
	CRX0289BE	0,16	435	26,10	20,50	25,90	25,00	6,50	0,56	CH4	5	195,00
302	CRX0302AE	0,08	310	26,10	20,50	25,90	25,00	6,50	0,56	CH4	5	124,00
	CRX0302BE	0,13	475	26,10	20,50	25,90	25,00	6,50	0,56	CH4	5	211,00
336	CRX0336AE	0,08	360	26,10	20,50	25,90	25,00	6,50	0,56	CH4	5	150,00
	CRX0336BE	0,13	475	26,10	20,50	25,90	25,00	6,50	0,56	CH4	5	211,00
343	CRX0343AE	0,03	200	26,10	20,50	25,90	25,00	6,50	0,56	CH4	5	97,00
	CRX0343BE	0,03	200	26,10	20,50	25,90	25,00	6,50	0,56	CH4	5	97,00
	CRX0343CE	0,05	230	26,10	20,50	25,90	25,00	6,50	0,56	CH4	5	106,00
	CRX0343DE	0,06	325	26,10	20,50	25,90	25,00	6,50	0,56	CH4	5	135,00
361	CRX0361AE	0,06	325	26,10	20,50	25,90	25,00	6,50	0,56	CH4	5	135,00
	CRX0361BE	0,10	445	28,10	21,30	28,90	27,00	6,50	0,56	CH5	5	203,00
382	CRX0382AE	0,07	435	28,10	21,30	28,90	27,00	6,50	0,56	CH5	5	172,00
	CRX0382BE	0,12	580	28,10	21,30	28,90	27,00	6,50	0,56	CH5	5	236,00
396	CRX0396AE	0,03	200	26,10	20,50	25,90	25,00	6,50	0,56	CH4	5	97,00
	CRX0396BE	0,03	200	26,10	20,50	25,90	25,00	6,50	0,56	CH4	5	97,00
	CRX0396CE	0,04	300	26,10	20,50	25,90	25,00	6,50	0,56	CH4	5	132,00
	CRX0396DE	0,04	300	26,10	20,50	25,90	25,00	6,50	0,56	CH4	5	132,00
412	CRX0412AE	0,07	435	28,10	21,30	28,90	27,00	6,50	0,56	CH5	5	172,00
	CRX0412BE	0,11	550	28,10	21,30	28,90	27,00	6,50	0,56	CH5	5	202,00
414	CRX0414AE	0,06	400	28,10	21,30	28,90	27,00	6,50	0,56	CH5	5	181,00
	CRX0414BE	0,08	505	28,10	21,30	28,90	27,00	6,50	0,56	CH5	5	199,00
472	CRX0472AE	0,06	400	28,10	21,30	28,90	27,00	6,50	0,56	CH5	5	181,00
	CRX0472BE	0,10	560	28,10	21,30	28,90	27,00	6,50	0,56	CH5	5	227,00
477	CRX0477AE	0,05	420	33,50	23,00	31,20	32,50	9,00	0,56	CH6	6	231,00
	CRX0477BE	0,08	600	33,50	23,00	31,20	32,50	9,00	0,56	CH6	6	306,00
515	CRX0515AE	0,05	420	33,50	23,00	31,20	32,50	9,00	0,56	CH6	6	231,00
	CRX0515BE	0,08	600	33,50	23,00	31,20	32,50	9,00	0,56	CH6	6	306,00
528	CRX0528AE	0,02	220	28,10	21,30	28,90	27,00	6,50	0,56	CH5	6	130,00
	CRX0528BE	0,02	220	28,10	21,30	28,90	27,00	6,50	0,56	CH5	6	130,00
	CRX0528CE	0,03	355	28,10	21,30	28,90	27,00	6,50	0,56	CH5	6	158,00
	CRX0528DE	0,04	495	28,10	21,30	28,90	27,00	6,50	0,56	CH5	6	189,00
590	CRX0590AE	0,04	495	28,10	21,30	28,90	27,00	6,50	0,56	CH5	6	189,00
	CRX0590BE	0,06	680	33,50	23,00	31,20	32,50	9,00	0,56	CH6	6	306,00
720	CRX0720AE	0,03	480	33,50	23,00	31,20	32,50	9,00	0,56	CH6	6	231,00
840	CRX0840AE	0,03	570	33,50	23,00	31,20	32,50	9,00	0,56	CH6	6	236,00
960	CRX0960AE	0,02	675	33,50	23,00	31,20	32,50	9,00	0,56	CH6	7	356,00
1080	CRX1080AE	0,02	675	33,50	23,00	31,20	32,50	9,00	0,56	CH6	7	356,00
1200	CRX1200AE	0,02	710	33,50	23,00	31,20	32,50	9,00	0,56	CH6	7	336,00

Toutes les dimensions en pouces
Voir pages 67-68 pour les dessins

Réception et Inspection

Avant de décharger l'équipement, il faut vérifier que les renseignements d'expéditions pour les réacteurs sont exacts. Confirmer que le numéro d'identification des pièces sur la plaque signalétique du réacteur correspond à la fiche d'envoi et au connaissance.

Lors de la réception, vérifier immédiatement que les réacteurs ne présentent pas de preuves de dommages ou d'indices de manutention brutale qui pourraient avoir été causés pendant le transport.

Effectuer la vérification avant de décharger le réacteur du véhicule d'expédition. Vérifier également qu'il n'y a aucun indice d'infiltration d'eau ou d'autres contaminants à l'intérieur du réacteur lors du transport. Remplir une réclamation immédiatement auprès du transporteur et aviser le fabricant.

Les réacteurs sont expédiés sous forme de noyau-bobines partiellement assemblés dans une enceinte ou complètement assemblés dans une enceinte en tôle. Tous les composants et les pièces sont emballés dans une boîte en carton ou enveloppés dans de la pellicule plastique transparente et recouverts d'une bâche.

Une fois que la réception de l'unité est terminée, effectuer une inspection interne (ouvrir les couvercles ou les panneaux) pour s'assurer qu'il n'y a pas de pièces endommagées ou déplacées, de raccords desserrés ou brisés, de plaques à bornes endommagées, de poussière ou de corps étrangers, ainsi que d'eau ou d'humidité. S'il y a présence de dommages quels qu'ils soient, communiquer avec le fabricant ou le représentant du réacteur immédiatement.

Procédures de levage



AVERTISSEMENT

La violation de ces directives peut causer la mort, des blessures graves ou peut endommager le réacteur et l'enceinte.

Des unités plus petites et assemblées sont expédiées dans des boîtes en carton ou sur des palettes en bois entourées d'une pellicule de plastique. La caisse en bois est conçue pour être déplacée avec un chariot élévateur. Pour les grands réacteurs et assemblages, un pont roulant est nécessaire.

Lors de la levée, **ne jamais soulever seulement par le boîtier**, à moins que des instructions claires ne le précisent. Les réacteurs sont le plus souvent fournis sous forme de noyau-bobines. Toutefois, s'il est fourni avec une enceinte « pré-assemblée », les panneaux du dessus, les panneaux d'accès latéraux et le couvercle de l'enceinte doivent être retirés. Le levage du noyau-bobines doit être fait par le biais des dispositions de levage situées sur le noyau du réacteur. Des précautions doivent être prises pour éviter les dommages dus à une restriction de hauteur. Vous aurez besoin d'au moins 4-5 pieds de dégagement depuis le dessus de l'enceinte ou les anneaux de levage - y compris les barres d'écartement, pour faciliter le levage.

À suivre sur la prochaine page

Procédures de levage (suite)



Boulons
à œil à collier



Angle de levage

ILLUSTRATION 1

Le noyau et les bobines du réacteur, ainsi que les enceintes assemblées, sont conçus pour le levage/levage par chariot, sauf si d'autres dispositions ont été requises. S'assurer que la fourche du chariot s'étende complètement sous l'enceinte.

Certaines précautions doivent être prises lors de la manipulation de l'enceinte en raison de la nature mécanique moins résistante des cadres et des panneaux.

Stockage



AVERTISSEMENT

La violation des exigences de stockage pourrait provoquer la mort ou des blessures graves, ou encore des dommages matériels substantiels.

Les réacteurs doivent être entreposés dans un endroit chauffé, sec et exempt de poussière ou de contaminants atmosphériques. L'humidité relative à laquelle les matériaux isolants sont exposés doit être aussi basse que possible.

Le réacteur doit être entreposé sur un plancher imperméable à la migration ascendante de la vapeur d'eau. Protéger l'appareil contre les sources d'eau comme une fuite au plafond, une conduite d'eau ou de vapeur endommagée, une fenêtre, etc. Il est déconseillé d'entreposer les réacteurs secs à l'extérieur. Si c'est inévitable, le réacteur doit être protégé contre la neige, la pluie et les autres éléments. La protection doit comprendre une première couche en toile de première qualité avec et une bâche en plastique comme dernière couche extérieure. Il est aussi recommandé d'utiliser un déshydratant comme un système de séchage au gel de silice pour réduire le taux d'humidité à l'intérieur de l'appareil. Si un réacteur est entreposé à l'extérieur, il est recommandé d'effectuer une procédure de séchage avant la mise sous tension comme décrit à la page suivante.

Mesures de sécurité pour l'installation



AVERTISSEMENT

La violation de ces précautions d'installation peut causer la mort, des blessures graves ou peut endommager le réacteur et l'enceinte.

1. Il est recommandé d'installer des blocs antivibratoires ou des dispositifs d'isolement aux vibrations lors de l'installation des réacteurs. Lors de l'installation des blocs antivibratoires sous le réacteur, s'assurer que celui-ci n'est soulevé que par le noyau-bobines (se référer à la section Procédures de levage).
2. Le type et la taille du câble ainsi que les entrées doivent être conformes aux exigences des codes électriques locaux.
3. Les terminaux ainsi que les bornes ne doivent pas être utilisés pour supporter le poids de cordage ou de câble de chargement.
4. Maintenir un dégagement approprié entre les câbles d'alimentation et les pièces sous tension du réacteur. (Se référer à la section Essais sur le terrain)
5. Il est recommandé que les câbles d'alimentation ou de charge arrivent ou sortent par le bas ou le côté et n'obstruent pas les prises d'air de ventilation.
6. Lors d'opérations de forage, de meulage, ou de peinture, couvrir le noyau et la bobine d'une toile de protection (bâche) pour que rien ne puisse atteindre la surface ou l'intérieur de la bobine.
7. Ne pas remplacer les boulons en laiton par des boulons d'un autre matériau.

Installation mécanique

Noyau-bobines

1. Les dimensions du produit, les dimensions de montage, le matériel de montage et le couple maximal se trouvent aux pages 64 - 69. La taille du cadre de chaque produit est répertoriée dans les tableaux de spécifications dans les pages 53-56. Le matériel de montage n'est pas fourni avec le produit.
2. Le kit de l'enceinte avec le matériel est vendu séparément. Sélectionner le numéro de référence de l'enceinte dans les tableaux de spécifications aux pages 53-56 pour la commander. Les dimensions de l'enceinte et les dimensions de montage peuvent être trouvées aux pages 67 - 68. Pour assembler l'unité afin d'obtenir la certification UL du produit, il est nécessaire de faire appel à un atelier panneau UL approuvé.

Unité fermée

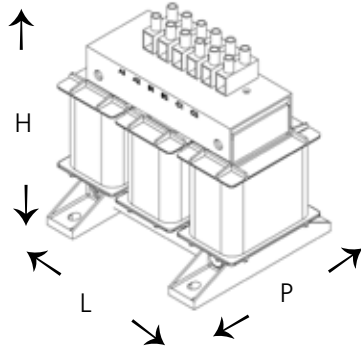
3. Les dimensions du produit, les dimensions de montage, le matériel de montage et le couple maximal se trouvent aux pages 67 - 69. Le type d'enceinte de chaque produit est répertorié dans les tableaux de spécifications aux pages 57-60. Le matériel de montage n'est pas fourni avec le produit.

Installation électrique

4. Le type de raccordement et le couple maximal peuvent être trouvés à la page 71. Suivre les instructions de la page 70 pour un raccordement monophasé et triphasé. Le réacteur doit être relié aussi près que possible au dispositif à vitesse variable.

Taille du cadre

Fig. 1



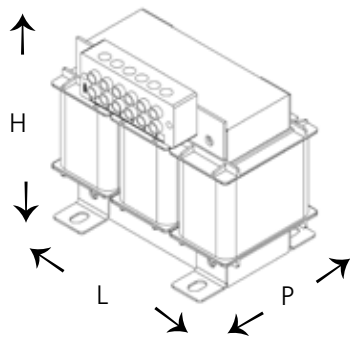
Matériel de montage

(non fourni)

- 4 pcs - boulons de 1/4 po.
- 4 pcs - écrous de 1/4 po.
- 8 pcs - rondelles plates de 1/4 po.
- 4 pcs - rondelles de sécurité de 1/4 po.
- Couple de serrage max. : 5,5 pi-lb

Taille du cadre	Hauteur	Largeur	Profondeur	Largeur du trou de montage	Profondeur du trou de montage	Fente du trou de montage l x p
1A	5,13	4,13	2,29	2,81	1,79	0,28 x 0,38
1B	5,13	4,13	3,51	2,87	2,63	0,28 x 0,38
1C	5,38	4,13	3,51	2,87	2,63	0,28 x 0,38
1D	6,13	6,50	5,00	4,38	4,00	0,28 x 0,38

Fig. 2



Matériel de montage

(non fourni)

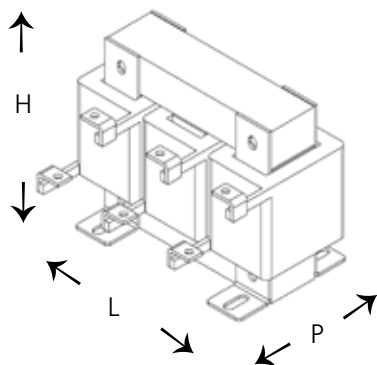
- 4 pcs - boulons de 5/16 po.
- 4 pcs - écrous de 5/16 po.
- 8 pcs - rondelles plates de 5/16 po.
- 4 pcs - rondelles de sécurité de 5/16 po.
- Couple de serrage max. : 18 pi-lb

Taille du cadre	Hauteur	Largeur	Profondeur	Largeur du trou de montage	Profondeur du trou de montage	Fente du trou de montage l x p
2A	6,38	7,12	4,69	4,80	3,27	0,38 x 0,50
2B	6,38	7,12	5,19	4,80	3,77	0,38 x 0,50

À suivre sur la prochaine page

Taille du cadre (suite)

Fig. 3

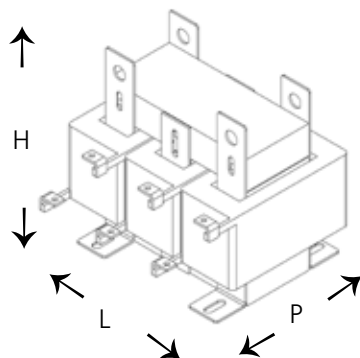


Matériel de montage (non inclus)	Fente 0,38 x 0,50	Fente 0,44 x 1,0
4 pcs - boulons	5/16 po.	3/8 po.
4 pcs - écrous	5/16 po.	3/8 po.
8 pcs - rondelles plates	5/16 po.	3/8 po.
4 pcs - rondelles de sécurité	5/16 po.	3/8 po.
Couple de serrage max.	18 pi-lb	28 pi-lb

Taille du cadre	Hauteur	Largeur	Profondeur	Largeur du trou de montage	Profondeur du trou de montage	Fente du trou de montage l x p
3A	5,63	7,25	5,88	4,80	3,27	0,38 x 0,50
3B	5,63	7,25	6,00	4,80	3,77	0,38 x 0,50
3C	5,63	7,25	6,00	4,80	3,27	0,38 x 0,50
3D	5,63	7,25	6,25	4,80	3,77	0,38 x 0,50
3E	7,00	9,25	6,25	6,00	3,70	0,44 x 1,0
3F	7,00	9,25	6,75	6,00	3,83	0,44 x 1,0
3G	7,00	9,25	7,00	6,00	4,08	0,44 x 1,0
3H	7,00	9,25	7,00	6,00	3,95	0,44 x 1,0
3J	7,00	9,25	7,25	6,00	4,33	0,44 x 1,0
3K	7,00	9,25	7,63	6,00	4,70	0,44 x 1,0
3L	7,00	9,25	8,00	6,00	5,45	0,44 x 1,0
3M	7,00	9,25	8,13	6,00	5,20	0,44 x 1,0
3N	7,00	9,25	8,25	6,00	5,70	0,44 x 1,0
3P	7,00	9,25	8,25	6,00	5,45	0,44 x 1,0
3Q	7,00	9,25	8,63	6,00	5,20	0,44 x 1,0
3R	7,00	9,25	8,63	6,00	5,70	0,44 x 1,0
3S	7,00	9,25	8,88	6,00	5,95	0,44 x 1,0

À suivre sur la prochaine page

Fig. 4

**Matériel de montage**

(non fourni)

4 pcs - boulons de 3/8 po.

4 pcs - écrous de 3/8 po.

8 pcs - rondelles plates de 3/8 po.

4 pcs - rondelles de sécurité de 3/8 po.

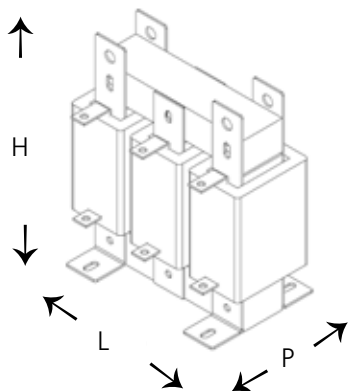
Couple de serrage max. : 28 pi-lb

Taille du cadre	Hauteur	Largeur	Profondeur	Largeur du trou de montage	Profondeur du trou de montage	Fente du trou de montage l x p
4A	10,00	10,80	8,25	7,20	5,21	0,44 x 1,0
4B	10,00	10,80	8,38	7,20	5,33	0,44 x 1,0
4C	10,00	10,80	9,13	7,20	6,08	0,44 x 1,0
4D	10,00	10,80	9,50	7,20	6,33	0,44 x 1,0
4E	10,00	10,80	10,50	7,20	7,33	0,44 x 1,0
4F	10,00	11,05	8,25	7,20	5,08	0,44 x 1,0
4G	10,00	11,05	8,25	7,20	5,21	0,44 x 1,0
4H	10,00	11,05	8,63	7,20	5,58	0,44 x 1,0
4J	10,00	11,05	8,88	7,20	5,83	0,44 x 1,0
4K	10,00	11,05	9,00	7,20	5,96	0,44 x 1,0
4L	10,00	11,05	9,13	7,20	6,08	0,44 x 1,0
4M	10,00	11,05	9,50	7,20	6,46	0,44 x 1,0
4N	12,50	13,75	9,00	9,00	6,05	0,44 x 1,0
4P	12,50	13,75	9,38	9,00	5,70	0,44 x 1,0
4Q	12,50	13,75	9,38	9,00	6,42	0,44 x 1,0
4R	12,50	13,75	10,13	9,00	7,17	0,44 x 1,0
4S	12,50	13,75	10,38	9,00	7,30	0,44 x 1,0
4T	12,50	13,75	10,88	9,00	7,92	0,44 x 1,0
4U	12,50	13,75	11,38	9,00	8,42	0,44 x 1,0
4V	12,50	13,75	11,63	9,00	8,70	0,44 x 1,0
4W	14,50	13,75	9,38	9,00	6,42	0,44 x 1,0
4X	14,50	13,75	9,63	9,00	6,17	0,44 x 1,0
4Y	14,50	13,75	10,63	9,00	7,17	0,44 x 1,0
4Z	14,50	13,75	10,88	9,00	7,42	0,44 x 1,0
4AA	14,50	13,75	11,38	9,00	8,42	0,44 x 1,0
4AB	14,50	13,75	11,50	9,00	8,67	0,44 x 1,0
4AC	14,50	13,75	13,38	9,00	9,92	0,44 x 1,0

!À suivre sur la prochaine page

Taille du cadre (suite)

Fig. 5



Matériel de montage

(non fourni)

4 pcs - boulons de 3/8 po.

4 pcs - écrous de 3/8 po.

8 pcs - rondelles plates de 3/8 po.

4 pcs - rondelles de sécurité de 3/8 po.

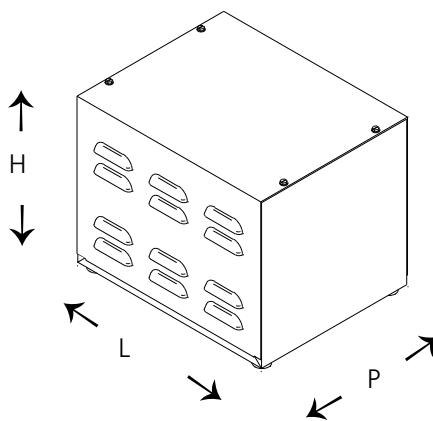
Couple de serrage max. : 28 pi-lb

Taille du cadre	Hauteur	Largeur	Profondeur	Largeur du trou de montage	Profondeur du trou de montage	Fente du trou de montage l x p
5A	14,50	13,75	11,63	9,00	7,17	0,44 x 1,0
5B	14,50	13,75	11,88	9,00	7,17	0,44 x 1,0
5C	18,50	17,75	13,25	12,00	6,92	0,44 x 1,0
5D	18,50	17,75	13,75	12,00	7,42	0,44 x 1,0

Type d'enceinte

N1

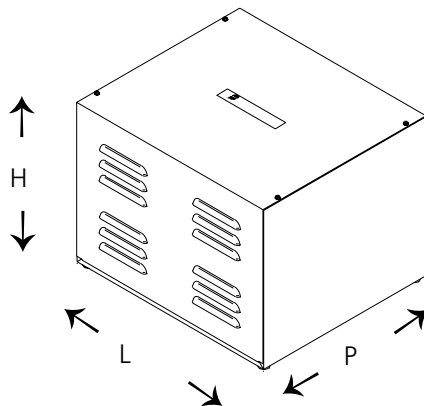
CREN1



hauteur - 8,13 po
 largeur - 10 po
 profondeur - 10 po
 largeur du trou de montage - 7 po
 profondeur du trou de montage - 6 po
 taille du trou/fente de montage - 0,188 po

N2

CREN2



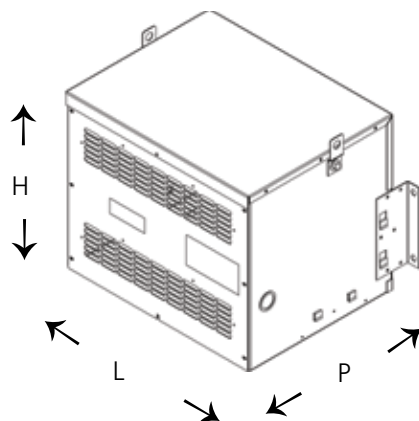
hauteur - 12,13 po
 largeur - 14 po
 profondeur - 14 po
 largeur du trou de montage - 10 po
 profondeur du trou de montage - 10,5 po
 taille du trou/fente de montage - 0,188 po

À suivre sur la prochaine page

Type d'enceinte (suite)

CH2

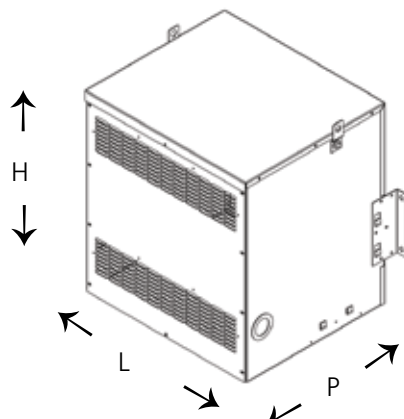
CRECH2



hauteur - 17,9 po
 largeur - 23,5 po
 profondeur - 16,5 po
 largeur du trou de montage - 22,4 po
 profondeur du trou de montage - 6,5 po
 taille du trou/fente de montage - 0,56 po

CH4

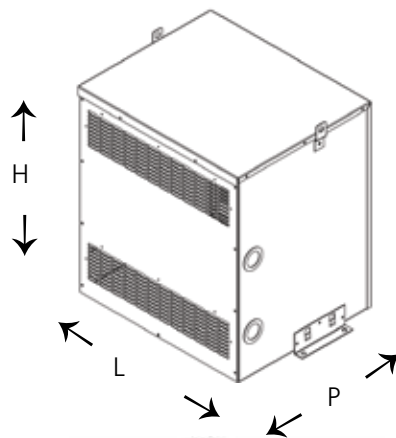
CRECH4



hauteur - 25,9 po
 largeur - 26,1 po
 profondeur - 20,5 po
 largeur du trou de montage - 25 po
 profondeur du trou de montage - 6,5 po
 taille du trou/fente de montage - 0,56 po

CH5

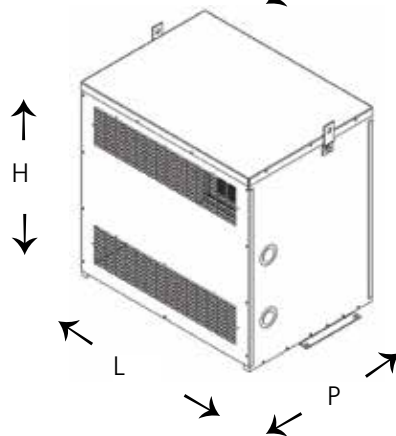
CRECH5



hauteur - 28,9 po
 largeur - 28,1 po
 profondeur - 21,3 po
 largeur du trou de montage - 27 po
 profondeur du trou de montage - 6,5 po
 taille du trou/fente de montage - 0,56 po

CH6

CRECH6

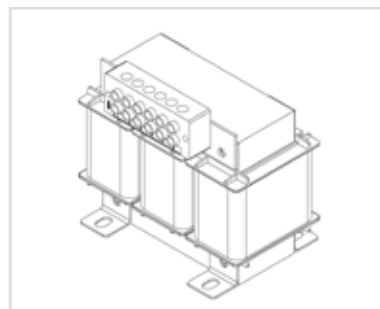
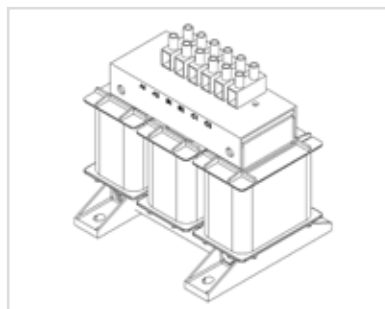


hauteur - 31,2 po
 largeur - 33,5 po
 profondeur - 23 po
 largeur du trou de montage - 32,5 po
 profondeur du trou de montage - 9 po
 taille du trou/fente de montage - 0,56 po

Extrémité

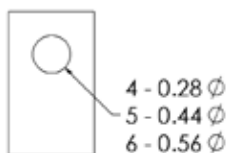
Type 1, 2, 3

Utiliser le terminal correspondant



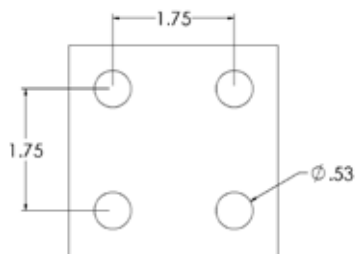
Type	Terminal	Ampères	Conçu pour	Couple de serrage maximum
1	Terminal	≤ 9	18-14 AWG	20 po-lbs
2	Terminal	>9 et ≤ 27	13-10 AWG	20 po-lbs
3	Terminal	>27 et ≤ 64	4-14 AWG	20 po-lbs

Type 4, 5, 6



Type	Terminal	Ampères	Conçu pour	Couple de serrage maximum
4	Borne	>64 et ≤ 110	matériel de 1/4 po	10 pi-lbs
5	Borne	>110 et ≤ 472	matériel de 3/8 po	28 pi-lbs
6	Borne	>472 et ≤ 840	matériel de 1/2 po	70 pi-lbs

Type 7



Type	Terminal	Ampères	Conçu pour	Couple de serrage maximum
7	Borne	>840 et <1200	matériel 4 x 1/2 po	70 pi-lbs

Diagrammes de raccordement

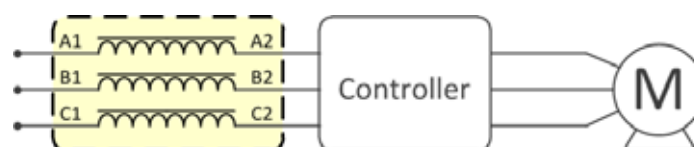
MONOPHASÉ (réduit selon le tableau de sélection)



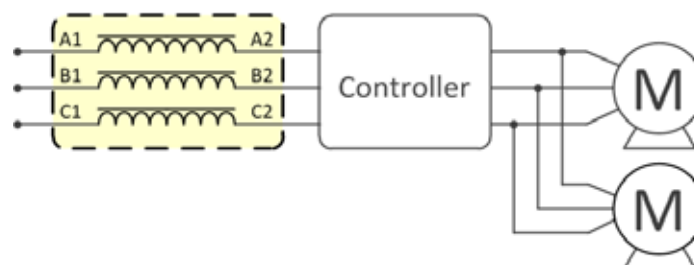
TRIPHASÉ

ENTRÉE

(a) un seul moteur

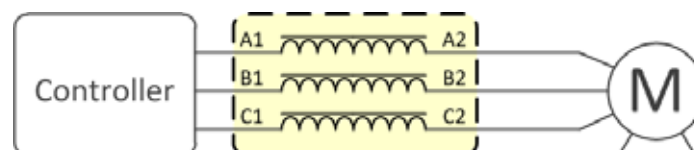


(b) plusieurs moteurs

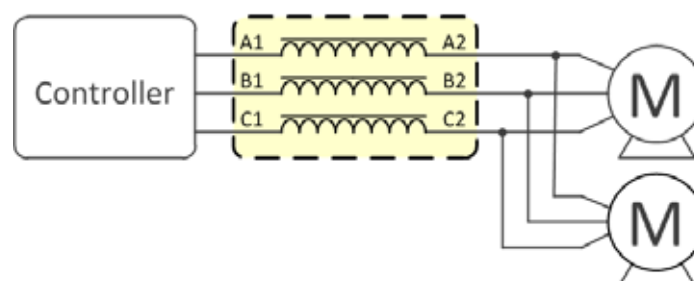


SORTIE

(a) un seul moteur



(b) plusieurs moteurs



Séchage



DANGER

RISQUE DE DÉCHARGE ÉLECTRIQUE, D'EXPLOSION OU DE COUP D'ARC

La violation de ces procédures de séchage cause la mort, des blessures graves ou des dommages matériels considérables.

Si un réacteur a été exposé à l'humidité telle que la condensation ou la pluie, ou a été stocké dans un environnement très humide, il doit être séché avant sa mise sous tension. Si le réacteur est accidentellement exposé à de l'humidité excessive, il doit immédiatement être mis hors tension. Effectuer des essais mégohmmètre (résistance d'isolement) périodiquement afin de déterminer s'il y a un changement au taux d'humidité dans l'isolation. Puis appliquer les méthodes de séchage suivantes :

1. Sécher ou essuyer l'humidité sur toutes les surfaces du réacteur afin de réduire la période de séchage.
2. Souffler de l'air chaud externe, ou de la chaleur rayonnée, à l'intérieur des fils de bobinage en s'assurant que les prises d'air de la ventilation soient libres. La température recommandée ne doit pas excéder 105 °C (221 °F). Poursuivre pendant 24 heures ou jusqu'à ce que la condensation ou l'humidité ne soit plus visible.
3. Le séchage à l'aide du chauffage interne N'EST PAS permis.

Il est souligné que seul le personnel compétent doit effectuer les travaux.

Les réacteurs qui ont été inondés, qui ont été exposés à a pluie ou qui ont été mouillés par des gicleurs pourraient ne pas être séché adéquatement. Pour plus d'informations, consulter le fabricant.

Endroit



MISE EN GARDE

La violation des directives sur l'emplacement pourrait provoquer des blessures ou des dommages matériels.

Les réacteurs sont normalement conçus pour une installation intérieure dans un emplacement sec. Ils fonctionnent mieux lorsque le taux d'humidité est respecté. Il est nécessaire de prendre des mesures de sécurité afin de les garder secs s'ils sont mis hors tension pour une longue période. Se reporter aux instructions sur le séchage. Les réacteurs visés par la présente directive sont conçus pour fonctionner à des altitudes ne dépassant pas les 1000 m (3300 pi.) à moins que les réacteurs aient été spécialement conçus pour une altitude plus élevée.

Considérations environnementales :

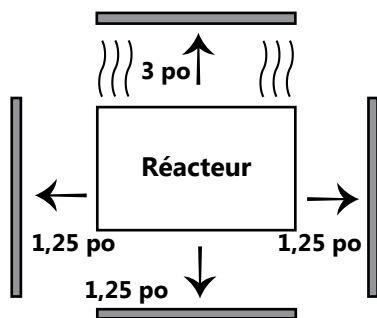
Les réacteurs ne doivent pas être installés dans les endroits qui contiennent des contaminants y compris la poussière, les fertilisants, une humidité excessive, des produits chimiques, des gaz corrosifs, des huiles ou des vapeurs chimiques. Les emplacements où il y a présence d'égouttement sont à proscrire. Si ceci est impossible, une protection adéquate doit être fournie afin de prévenir que l'eau entre dans l'enceinte du réacteur.

Les réacteurs ne doivent pas être installés dans les endroits accessibles au public à moins que ceux-ci ne soient spécialement conçus à ces fins.

Des enceintes résistantes aux intempéries et inviolables sont requises dans les emplacements où les réacteurs peuvent être exposés à l'eau environnante, à la neige, à la poussière et au sable. Pour plus d'information, consulter le fabricant du réacteur.

À moins d'indication contraire sur la plaque signalétique, les réacteurs doivent être situés au moins à 1,25 po de distance d'un mur, d'un obstacle, d'un autre équipement ou d'une surface réfléchissante du côté de la ventilation. Un réacteur ne doit pas se situer près d'une source de chaleur ou d'un obstacle qui pourrait nuire à sa ventilation et augmenter la température ambiante.

L'air soufflé dans la pièce près du réacteur peut perturber la circulation d'air naturelle pour le refroidissement de la bobine.



La ventilation adéquate est essentielle pour que le réacteur se refroidisse correctement. Il est recommandé d'utiliser de l'air propre, frais et sec. Si l'emplacement présente un taux anormalement élevé de contaminants atmosphériques, des filtres facultatifs peuvent devenir nécessaires. Si un réacteur est installé dans une voûte ou un autre endroit à circulation réduite, on doit fournir une ventilation adéquate pour maintenir une température acceptable. Les limites sont définies par les normes CSA et ANSI.

L'espace de prises d'air de ventilation nécessaire dépend de la hauteur de la voûte ou de la pièce du réacteur et de l'emplacement des prises d'air de ventilation.

Il est nécessaire de fournir une circulation d'air libre suffisante au travers et autour du réacteur. Ceci permet aussi un accès facile pour l'entretien.

Si le réacteur doit être situé près de matériaux combustibles, il faut respecter la distance de dégagement minimale **prescrite par le code de l'électricité.**

Niveaux sonores (suite)

Les niveaux sonores produits par les réacteurs sont causés par la mise sous tension du noyau par la tension appliquée en alternance par les bobines. Ceci crée des vibrations dont les fréquences fondamentales sont le double de la fréquence de la tension appliquée. Les vibrations produisent des sons audibles qui peuvent survenir dans le montage du noyau et dans le boîtier. La transmission de ces sons provenant du réacteur peut se produire par divers médias comme l'air, le métal, le béton, le bois, ou par une combinaison de médias. L'amplification des sons audibles peut survenir dans un emplacement donné en raison de la présence de surfaces réfléchissantes ou de montages.

Ces niveaux sonores sont déterminés par l'Association canadienne de normalisation (CSA) ainsi que l'IEEE/ANSI et sont fondés sur les éléments suivants :

- **Niveaux sonores spécifiés pour les conditions sans charge avec tension nominale et fréquence**
- **Essai des réacteurs effectué dans un environnement à bruits ambiants réduits**

Prendre note que le fonctionnement des réacteurs, lorsqu'il y a présence d'une charge, présente des niveaux sonores plus élevés que celles des normes citées en références. De plus, les réacteurs sont souvent installés dans des locaux électriques plus petits ce qui aura pour effet d'accroître les niveaux sonores en raison de la résonance acoustique. Les réacteurs présentent des niveaux sonores plus élevés que la normale si ceux-ci sont installés sur des planchers suspendus qui peuvent résonner. Il est conseillé d'installer les unités d'alimentations au rez-de-chaussée ou au sous-sol afin d'éviter les planchers suspendus et de les mettre loin des pièces d'habitations ou des bureaux. Il est recommandé d'installer des amortisseurs de vibration ou des isolateurs à ressorts afin d'atténuer les niveaux sonores si la vibration affecte d'autres structures du bâtiment.

Les réacteurs qui sont installés à proximité les uns des autres peuvent présenter une fréquence de résonance entre les appareils qui se traduit par des niveaux sonores plus élevés que la normale.

Les niveaux sonores sont des facteurs à considérer pour l'endroit de tout réacteur et une attention particulière devrait être apportée au site d'installation et à l'atténuation de ceux-ci (utilisation d'accessoires). La suppression de la transmission du son par l'installation de mousse isophonique ou de fibre de verre sur les murs et le plafond devrait être considérée.

Essais sur le terrain



MISE EN GARDE

Omettre de se conformer à ces procédures d'essais sur le terrain peut engendrer des blessures corporelles mineures ou majeures ou peut endommager l'équipement.

Il est recommandé d'effectuer les essais sur le terrain ainsi que l'inspection séparément avant de mettre en service le réacteur afin de déterminer qu'il est en bon état de fonctionnement et dans le but d'obtenir des données pour les comparaisons ultérieures. Nous recommandons de suivre les procédures d'essais de l'ANSI/IEEE (minimum).

À suivre sur la prochaine page

Essais sur le terrain (suite)

Dans les situations de tension appliquée à basse fréquence, les essais de résistance d'isolement (mégohmmètre) sont effectués, ces essais de tension ne doivent pas être supérieurs à 75 % des valeurs d'essais en usine. Lorsque des essais sont effectués périodiquement, il est recommandé que les essais de tension soient limités à 65 % des valeurs d'essais en usine. Débrancher les parasurtenseurs (si fourni). Il est souligné que tous les essais doivent être effectués par un personnel compétent et conformément aux normes de sécurité et aux codes en vigueur, particulièrement la norme NFPA 70E et la CSA Z462.

1. Si le réacteur a été mis hors tension pour une longue période, celui-ci doit être inspecté visuellement afin de déceler les signes de condensation, d'humidité et de détecter la présence de poussière. Il doit être nettoyé et séché comme décrit plus tôt avant de le mettre sous tension.

2. Vérifier l'étanchéité ainsi que les raccordements de tous les branchements électriques et les connexions de phase.

3. Un essai mégohmmètre (résistance d'isolement) devrait être effectué sur chaque réacteur afin de déterminer l'intégrité de l'isolement. Un essai de résistance d'isolement est essentiel pour les comparaisons ultérieures et pour déterminer le bien fondé d'un essai diélectrique pour le réacteur. Cet essai devrait être effectué avant l'essai diélectrique (Hi-Pot).

Des facteurs variables peuvent affecter la fabrication et l'utilisation de réacteurs secs ce qui rend difficile l'établissement de limite de résistance de l'isolement. Les expériences effectuées jusqu'à maintenant indiquent que 2 mégohms (lecture d'une minute à une température de 25°C approx.) par 1 000 volts du taux de tension de la plaque signalétique, mais dans aucun cas inférieur à un total de 2 mégohms, peut être une valeur satisfaisante pour la résistance de l'isolement.

Essais de l'isolement au mégohmmètre (500 V ou 1 000 V c.c.) Essais à effectuer entre :

Enroulement + Mise à terre

Enroulement + Mise à terre

Mise à la terre du noyau (si le noyau est isolé)

Commentaire : Si le noyau du réacteur est isolé, la mise à terre du noyau, située entre le noyau et le sol, doit être déconnectée avant de prendre les mesures à partir du noyau jusqu'au sol.

4. Mesures de résistance des bobines.

5. S'assurer de respecter le dégagement minimal selon les normes pour toutes les pièces conductrices de courant, y compris les branchements et les barres omnibus. Le tableau suivant peut être utilisé comme guide pour le dégagement minimal..

Fig. #	Terminal	Ampères	Conçu pour	Couple de serrage maximum
1	Terminal	<=9 >10 et <=27 >27	18-14 AWG 13-10 AWG 14-4 AWG	20 po-lbs
2	Terminal	<65	14-4 AWG	20 po-lbs
3	Borne	<=110 >110	matériel de 1/4 po matériel de 3/8 po	10 pi-lbs 28 pi-lbs
4	Borne	<=472 >472	matériel de 3/8 po matériel de 1/2 po	28 pi-lbs 70 pi-lbs
5	Borne	<=840 >840 et <1200	matériel de 1/2 po matériel 4 x 1/2 po	70 pi-lbs 70 pi-lbs

Entretien



DANGER

Omettre de couper l'alimentation ainsi que de mettre à la terre le réacteur avant d'ouvrir l'enceinte ou d'effectuer des travaux sur celui-ci peut engendrer des blessures graves ou mortelles.

Le réacteur doit être mis hors tension avant d'effectuer son entretien. De plus, il est recommandé que les bornes soient mises à la terre et qu'elles comprennent un mécanisme de verrou/procédure de cadenassage.

Inspection périodique et entretien :

Généralement, les réacteurs requièrent peu d'entretien. Cependant, un entretien ainsi qu'une inspection périodique sont nécessaires afin d'assurer son rendement et son fonctionnement à long terme. La fréquence des inspections dépend des conditions d'installation du réacteur.

Pour les endroits propres et secs, une inspection annuelle est normalement suffisante. Pour les emplacements où l'air est contaminé par la poussière ou par les vapeurs chimiques, une inspection trimestrielle ou bi-annuelle est requise.

Lorsque le réacteur est hors tension, retirer tous les panneaux d'accès de l'enceinte ainsi que les bornes de mise à la terre. Déceler la présence de saleté particulièrement sur les surfaces isolantes ou sur les parties qui ont tendance à restreindre la circulation d'air. Inspecter les matériaux isolants et les plaques de bornes contre les décharges (suivi), cassures, fissures, brûlures et vérifier l'étanchéité. Il est nécessaire de nettoyer les pièces afin de prévenir les contournements d'arcs occasionnés par l'accumulation de contaminants.

La présence de rouille, de corrosion ainsi que la détérioration de la peinture doivent être vérifiées et des mesures correctives doivent être prises au besoin. Les ventilateurs des moteurs et les autres appareils auxiliaires doivent aussi être vérifiés et entretenus.

Nettoyage



DANGER

Omettre de couper l'alimentation ainsi que de mettre à la terre le réacteur avant d'ouvrir l'enceinte ou d'effectuer des travaux sur celui-ci peut engendrer des blessures graves ou mortelles.

Si une accumulation excessive de saleté est observée sur les bobines du réacteur ou sur les isolants, la saleté doit être enlevée afin de permettre la circulation de l'air. Une attention particulière doit être portée au nettoyage aux parties supérieures et inférieures des assemblages des bobines.

Les bobines doivent être nettoyées à l'aide d'un aspirateur, d'un souffleur ou d'air comprimé. Il est préférable d'utiliser un aspirateur en premier suivi par de l'air comprimé. L'air comprimé doit être propre et sec et appliqué à basse pression (pression égale ou inférieure à 25 livres par pouce cube). Les fils de connexion, supports de bobine, plaques de bornes, raccords ainsi que les surfaces isolantes doivent être époussetés ou essuyés à l'aide d'un chiffon sec. L'utilisation de nettoyant liquide n'est pas recommandée en raison de la présence de solvants qui peuvent engendrer des effets néfastes aux matériaux isolants.

Entretien sur le terrain



DANGER

Omettre de couper l'alimentation ainsi que de mettre à la terre le réacteur avant d'ouvrir l'enceinte ou d'effectuer des travaux sur celui-ci peut engendrer des blessures graves ou mortelles.

L'équipement électrique doit strictement être installé, utilisé, nettoyé et entretenu par du personnel qualifié.

Les informations suivantes sont prescrites à titre de guide de dépannage afin de déterminer les mesures correctives pour les réacteurs d'alimentation sur le terrain. Il est souligné que seul le personnel compétent doit être autorisé à effectuer la vérification des réacteurs. Le réacteur doit être mis hors tension avant d'y effectuer des travaux. De plus, il est recommandé que les bornes soient mises à la terre.

1. Surtension

Les réacteurs à charge maximale sont chauds au toucher. Les normes permettent que la température extérieure de l'enceinte du réacteur atteigne 65 °C (149 °F) au dessus de la température ambiante à 50 °C (104 °F) ou maximale de 105 °C (212 °F). Dans un endroit difficilement accessible, les normes permettent que la température extérieure de l'enceinte du réacteur atteigne 80 °C (176 °F) au dessus de la température ambiante à 50 °C (104 °F), la température ambiante peut être de 20 °C (248 °F) en continu. Dans ces conditions, la température maximale affichée sur le thermomètre doit être de 220 °C (428 °F).

- une surcharge continue pour une période prolongée,
- des branchements externes erronés,
- une tension d'entrée ou un courant élevé,
- une tension ou les harmoniques du courant,
- une mauvaise circulation d'air dans la salle ou la présence d'une autre source de chaleur,
- les températures ambiantes élevées [les normes acceptent une moyenne de 30 °C (86 °F) et un maximum de 40 °C (104 °F)],
- des conduits d'air ou des prises d'air de ventilation obstrués,
- une accumulation de saleté ou de poussière qui restreigne la circulation d'air.

2. Bruit et vibration

Les niveaux sonores des réacteurs peuvent varier entre 60 dB (A) pour une tension de 500 kVA et 76 dB (A) pour une tension de 10 000 kVA. Ces niveaux sonores sont déterminés par les normes nationales et sont fondés sur les éléments suivants :

- valeurs pour les conditions sans charge,
- essai effectué dans un environnement à bruits ambiants réduits,
- murs et surfaces réfléchissantes à plus de 3 m (10 pieds) de tous les côtés du transformateur.

À suivre sur la prochaine page

Entretien sur le terrain (*suite*)

Les réacteurs installés dans des locaux électriques plus petits, en présence de charge, auront des niveaux sonores plus élevés (que la norme). Le bruit excessif peut être causé par :

- une tension d'entrée élevée,
- une fréquence élevée,
- un déséquilibre de la charge,
- une charge de courant excessive,
- une tension ou des harmoniques provenant de charges non-linéaires,
- un desserrement des calages du noyau,
- un desserrement des enceintes ou du matériel lors du transport ou de la manutention,
- les blocs antivibratoires ne sont pas installés

Les réacteurs présentent des niveaux sonores plus élevés que la normale si ceux-ci sont installés sur des planchers suspendus qui peuvent résonner. Il est conseillé d'installer les unités d'alimentations au rez-de-chaussée ou au sous-sol, afin d'éviter les planchers suspendus, et de les mettre loin des pièces d'habitations ou des bureaux. Il est recommandé d'installer des amortisseurs de vibrations ainsi que des isolateurs à ressorts afin d'atténuer les niveaux sonores. De plus, des connecteurs flexibles devraient être installés entre les barres omnibus et les autres équipements dans le but d'éviter le transfert de vibration.

Les réacteurs qui sont installés à proximité les uns des autres peuvent également présenter une fréquence de résonance entre les appareils qui se traduira par des niveaux sonores plus élevés que la normale.

3. Tension réduite ou nulle

Les branchements desserrés des bornes ou des plaques de bornes du réacteur, les fils de connexions brisés ou les courts-circuits sont des causes possibles.

4. Courant excédentaire

Peut être causé par un courant nominal plus élevé.

5. Fumée provenant du réacteur

La fumée ainsi que les vapeurs lors de la mise sous tension initiale sont le résultat des huiles et des lubrifiants utilisés lors de la fabrication. La fumée est considérée comme un irritant et doit être ventilée temporairement. Ceci ne représente pas un danger à long terme pour la santé et devrait se dissiper après 24 heures de charge.

6. Isolation brûlée ou défaut d'isolement

S'il y a présence d'isolation brûlée, vérifier les éléments suivants :

- la surcharge continue,
- les harmoniques excessives,
- la surchauffe causée par la ventilation,
- une décharge de surtension
- une mise sous tension ou une perturbation de secteur,
- des fils de connexion ou des bornes brisés,
- des bornes ou plaques de bornes endommagées,
- des courts-circuits,
- la contamination (défaut d'isolement)

À suivre sur la prochaine page

Entretien sur le terrain (*suite*)



DANGER

Omettre de couper l'alimentation ainsi que de mettre à la terre le réacteur avant d'ouvrir l'enceinte ou d'effectuer des travaux sur celui-ci peut engendrer des blessures graves ou mortelles.

L'équipement électrique doit strictement être installé, utilisé, nettoyé et entretenu par du personnel qualifié.

Si les noyaux du réacteur présentent des signes de surchauffes et de décoloration, l'isolant situé près du noyau peut aussi paraître décoloré. Les températures élevées du noyau peuvent être causées par :

- un courant élevé
- une saturation du noyau causée par les harmoniques du courant.

7. Courant de commande élevé

Peut être causé par :

- des courts-circuits,
- des espaces dans le noyau causé par le déplacement lors du transport ou de la manutention.

8. Mise à la terre du noyau

Veuillez vous référer au NFPA 70 (Code national d'électricité) concernant les résistances et les réacteurs.

9. Distorsion de la bobine

Les bobines court-circuitées présentent une distorsion grave comparativement à leur apparence normale (ronde) ou symétrique.

10. Ouverture des fusibles/disjoncteurs

L'ouverture des fusibles ou des disjoncteurs peut être causée par :

- une surcharge,
- une tension ou les harmoniques du courant,
- un court-circuit,
- une isolation insuffisante qui cause un courant excessif,
- un réglage trop bas pour permettre un courant d'appel.

11. Surchauffe du câble

Les causes peuvent comprendre :

- un boulonnage inadéquat ou un pincement des connexions,
- des connecteurs desserrés,
- des bornes ou des fils de connexion desserrés,
- des câbles ou des bornes de dimension inexacte,
- une surcharge.

12. Humidité

Si un réacteur a été exposé à l'humidité telle que la condensation ou la pluie, il doit être séché avant sa mise sous tension. (se référer à la section sur le séchage)

De l'air chaud, de la chaleur rayonnante ou interne devrait être dirigé à travers les bobines. Ceci devrait être effectué pendant 24 heures ou jusqu'à ce qu'il n'y ait plus de condensation.

Les réacteurs qui ont été inondés, qui ont été exposés à a pluie ou qui ont été mouillés par des gicleurs pourraient ne pas être séché adéquatement. Pour plus d'informations, consulter le fabricant.

À suivre sur la prochaine page

Entretien sur le terrain (*suite*)



DANGER

Omettre de couper l'alimentation ainsi que de mettre à la terre le réacteur avant d'ouvrir l'enceinte ou d'effectuer des travaux sur celui-ci peut engendrer des blessures graves ou mortelles.

L'équipement électrique doit strictement être installé, utilisé, nettoyé et entretenu par du personnel qualifié.

S'il est évident qu'une des conditions suivantes existe, le réacteur devrait être mis hors service immédiatement. Des mesures correctives, après avoir consulté le fabricant, devraient être mises en place.

Une fois l'évaluation terminée, il sera déterminé si le réacteur sera remis en fonction ou si celui-ci sera retourné au fabricant pour que des essais supplémentaires soient effectués.



CANADA

595 Southgate Drive
Guelph, Ontario N1G 3W6
Tél. : (519) 822-2441
Télécopieur : (519) 822-9701
Gratuit : 1-888-798-8882
sales@hammondpowersolutions.com

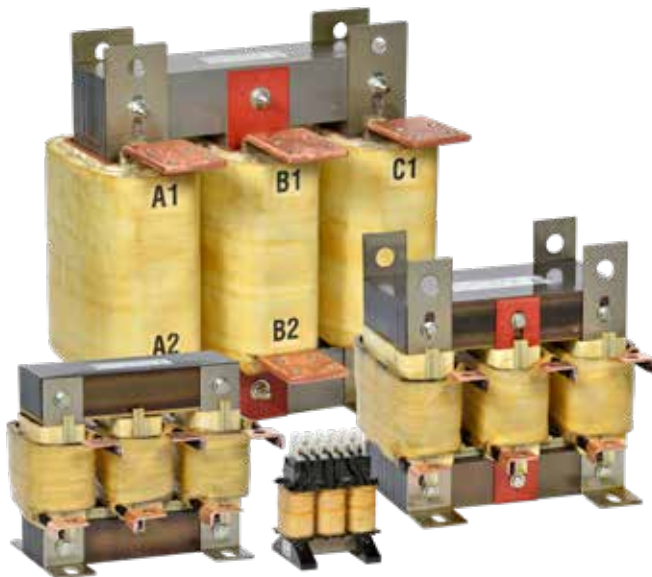
ÉTATS-UNIS

1100 Lake Street
Baraboo, Wisconsin 53913-2866
Tél. : (608) 356-3921
Télécopieur : (608) 355-7623
Gratuit : 1-866-705-4684
sales@hammondpowersolutions.com

Guía de Instalación, Operación y Mantenimiento

Centurion® R DE HPS Reactores de núcleo de hierro

Este manual contiene recomendaciones para la instalación, operación y mantenimiento de los reactores Centurion®. Se hace hincapié en que estas instrucciones abreviadas deben utilizarse en conjunto con todos los códigos locales y nacionales, y deben ser referenciados en consecuencia.



	Página
Advertencias	82
Instrucciones de seguridad	83
Clave del número de parte	84
Especificación técnica	85
Tablas de selección	86
Tablas de especificaciones del núcleo y la bobina	93
Tablas de especificaciones de la carcasa	97
Recepción e Inspección	101
Procedimientos de elevación	101
Almacenamiento	102
Precauciones de instalación	102
Instalación mecánica	103
Instalación eléctrica	103
Tamaño del marco	104
Estilo de la carcasa	107
Terminación	109
Diagramas de conexión	110
Secado	111
Ubicación	112
Niveles de sonido	113
Pruebas de campo	113
Mantenimiento	115
Limpieza	115
Servicio de campo	116

Descargo de responsabilidad

Las prácticas recomendadas en este manual corresponden a aplicaciones generales y se suministran sin responsabilidad alguna por errores u omisiones. Los datos técnicos están sujetos a cambios y las correcciones necesarias se incluyen en las siguientes ediciones. Los requisitos especiales deben ser referenciados al fabricante o a su representante.

Esta guía recoge las recomendaciones para la instalación, operación y mantenimiento de los reactores con o sin carcasa. Se hace hincapié en que estas instrucciones abreviadas deben utilizarse en conjunto con todas las normas y códigos locales que cubren dicho trabajo, y deben ser referidos en consecuencia.

Estas prácticas recomendadas son para aplicaciones generales y cualquier requerimiento especial debe referenciarse al fabricante del reactor o su representante.

Además, se recomienda que el trabajo de instalación se rija por la norma ANSI/IEEE C57.94. Esta es la práctica IEEE recomendada para la instalación, aplicación, operación y mantenimiento de reactores.

Este manual contiene advertencias a considerar a fin de garantizar la seguridad personal y evitar daños materiales. Lea atentamente estas instrucciones y observe el equipo para familiarizarse con el dispositivo antes de instalarlo, manipularlo, revisarlo o realizar su mantenimiento. Los avisos sobre la seguridad personal están resaltados en el manual con un símbolo de advertencia de seguridad. Los relativos solo a daños materiales no llevan dicho símbolo. Estos avisos que se muestran a continuación se ordenan de acuerdo al grado de peligro. Si más de un grado de peligro está presente, se utilizará la advertencia que representa el grado más alto de peligro.



PELIGRO

PELIGRO indica una situación de peligro inminente que, de no evitarse, ocasionará la muerte o lesiones graves, o daños materiales considerables.



ADVERTENCIA

ADVERTENCIA indica una situación potencialmente peligrosa que, de no evitarse, puede ocasionar la muerte o lesiones graves, o daños materiales considerables.



PRECAUCIÓN

PRECAUCIÓN indica una situación potencialmente peligrosa que, de no evitarse, puede ocasionar lesiones o daños materiales leves o moderados.

Nota importante:

La instalación, manipulación, reparación y mantenimiento del equipo eléctrico debe estar a cargo solo de personal calificado. No se asume responsabilidad alguna por parte del fabricante de las consecuencias que deriven de la utilización de este material.

AVISO

AVISO indica una situación potencialmente peligrosa que, de no evitarse, puede resultar en daños materiales.

Precauciones de seguridad



PELIGRO

PELIGRO DE DESCARGA ELÉCTRICA, EXPLOSIÓN O ARCO ELÉCTRICO

Consulte valores en la placa de identificación. La instalación y el mantenimiento de este equipo deberán ser realizados solamente por personal de equipos eléctricos calificado.

Siga todos los requisitos de la norma NFPA 70E y CSA 462 sobre la práctica de trabajo seguro y el equipo de protección personal (EPP).

Apague el suministro de alimentación de este equipo antes de realizar cualquier trabajo en o dentro del equipo.

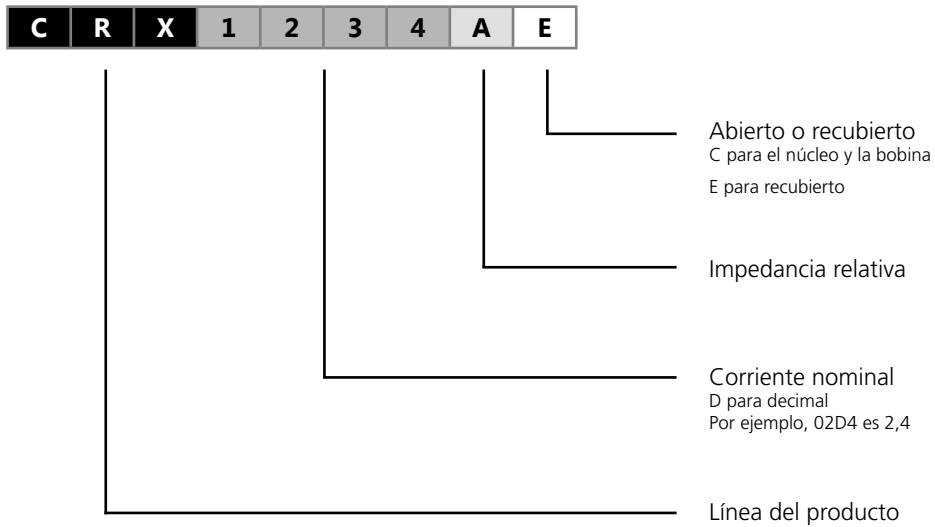
Utilice siempre un dispositivo de detección de tensión adecuado para confirmar que la alimentación esté apagada.

Reemplace todos los dispositivos, puertas y cubiertas antes de energizar este equipo.

El incumplimiento de estas instrucciones podrá causar la muerte o lesiones graves.

1. No levante o mueva un reactor sin contar con el equipo adecuado y personal experimentado. Las disposiciones de elevación se proporcionan solo en el interior del gabinete en el núcleo/bobina. Utilice siempre las disposiciones de elevación proporcionadas por el fabricante.
2. No descargue el reactor hasta que se haya finalizado una inspección completa.
3. Utilice únicamente terminales para las conexiones eléctricas. Se pueden añadir soportes Unistrut en el campo siempre que se mantenga el espacio libre adecuado.
4. Las conexiones deben hacerse solo de acuerdo con el diagrama de la placa de identificación o los dibujos de conexión.
5. Asegúrese de que toda la energía (incluido el control de alimentación trasera y la carga del condensador) esté desconectada y que todos los bobinados estén conectados a tierra antes de realizar cualquier trabajo en el reactor.
6. Asegúrese de que todos los terminales de línea estén completos y ajustados antes de energizar el reactor.
7. No intente cambiar ninguna conexión primaria o secundaria mientras el reactor está energizado.
8. No retire ningún accesorio o placa de cubierta mientras el reactor está energizado.
9. Ningún cable de alimentación debe entrar en contacto con el núcleo o bobina o cualquier parte viva excepto con la terminal correspondiente. Asegúrese de que se mantengan las distancias mínimas. (Consulte la sección Pruebas de campo).
10. La instalación y el mantenimiento de este equipo deberán ser realizados solamente por personal de equipos eléctricos calificado.
11. Siga todos los requisitos de la norma NFPA 70E y CSA 462 sobre la práctica de trabajo seguro y el equipo de protección personal (EPP).
12. Reemplace todos los dispositivos, puertas y cubiertas antes de energizar este equipo.
13. Cubra el núcleo y la bobina con una lona de protección adecuada si debe realizarse alguna perforación, trituración o trabajo de pintura en el equipo.
14. No está permitido realizar ninguna modificación en el equipo (ya que esto puede afectar la garantía y causar una situación peligrosa) sin autorización previa de HPS.

Clave del número de parte



La corriente nominal es la corriente RMS. Las tablas de selección se encuentran entre las páginas 86 y 92. Los caballos de potencia y corriente RMS en la tabla de selección se basan en la tabla del tamaño del motor NEC. Siempre consulte con los requerimientos de la corriente de la aplicación real.

Unidades de núcleo y bobina

Las tablas de especificaciones se encuentran entre las páginas 93 y 96. La carcasa opcional con juegos de accesorios se vende por separado y se puede encontrar los números de partes en la tabla de especificación bajo el título Número de parte de la carcasa.



Unidades recubiertas

Las tablas de especificaciones se encuentran desde página 97 hasta página 100.

Especificación técnica

Tensión nominal del sistema:	120 V, 208 V, 240 V, 480 V, 600 V, (690 V reducido)
Impedancia nominal:	1,5 %, 3 %, 5 %
Inductancia:	<ul style="list-style-type: none">- Inductancia nominal +15/-10 % a la corriente nominal- 95 % de la inductancia nominal al 110 % de la corriente nominal- 80 % de la inductancia nominal al 150 % de la corriente nominal- 50 % de la inductancia nominal al 200 % de la corriente nominal
Método de enfriamiento:	Convección natural
Sistema de aislamiento:	<ul style="list-style-type: none">- 70 °C de aumento sobre el 50 °C de ambiente para 130 °C de clase de temperatura- 115 °C de aumento sobre el 50 °C de ambiente para 180 °C y 220 °C de clases de temperatura
Altitud (reducción):	Cada NEMA ST-20
Frecuencia fundamental:	50/60 Hz nominal
Resistencia dieléctrica:	4000 voltios RMS (2200 voltios de pico repetitivo)
Aprobaciones:	CE, CSA, UL
Garantía:	10 años

Tablas de selección

Una sola fase

Valora- ción de HP	Una sola fase de 120 voltios - 60 Hz					
	3 % de impedancia			5 % de impedancia		
	Ampe- rios	Núm. de parte del núcleo y la bobina	Núm. de parte recubierta	Ampe- rios	Núm. de parte del núcleo y la bobina	Núm. de parte recubierta
0,25	2,08	CRX03D5BC	CRX03D5BE	2,08	CRX03D5CC	CRX03D5CE
0,5	4,16	CRX07D5AC	CRX07D5AE	4,16	CRX06D6CC	CRX06D6CE
0,75	6,25	CRX10D7BC	CRX10D7BE	6,25	CRX0017AC	CRX0017AE
1	8,33	CRX0024CC	CRX0024CE	8,33	CRX0022AC	CRX0022AE
1,5	12,5	CRX0024CC	CRX0024CE	12,5	CRX16D7DC	CRX16D7DE
2	16,7	CRX0024AC	CRX0024AE	16,7	CRX16D7BC	CRX16D7BE
3	25	CRX0031AC	CRX0031AE	25	CRX0024AC	CRX0024AE
5	41,6	CRX0059AC	CRX0059AE	41,6	CRX0059CC	CRX0059CE
7,5	62,5	CRX0075AC	CRX0075AE	62,5	CRX0059AC	CRX0059AE
10	83,3	CRX0114AC	CRX0114AE	83,3	CRX0088AC	CRX0088AE

Valora- ción de HP	Una sola fase de 240 voltios - 60 Hz					
	3 % de impedancia			5 % de impedancia		
	Ampe- rios	Núm. de parte del núcleo y la bobina	Núm. de parte recubierta	Ampe- rios	Núm. de parte del núcleo y la bobina	Núm. de parte recubierta
0,25	1,04	CRX02D1AC	CRX02D1AE	1,04	CRX0002CC	CRX0002CE
0,5	2,08	CRX02D4DC	CRX02D4DE	2,08	CRX02D7AC	CRX02D7AE
0,75	3,13	CRX03D5BC	CRX03D5BE	3,13	CRX02D4DC	CRX02D4DE
1	4,17	CRX0011CC	CRX0011CE	4,17	CRX04D8AC	CRX04D8AE
1,5	6,25	CRX06D6CC	CRX06D6CE	6,25	CRX0011CC	CRX0011CE
2	8,33	CRX10D7DC	CRX10D7DE	8,33	CRX0011AC	CRX0011AE
3	12,5	CRX10D7BC	CRX10D7BE	12,5	CRX0017AC	CRX0017AE
5	20,8	CRX0024CC	CRX0024CE	20,8	CRX0021AC	CRX0021AE
7,5	31,2	CRX0052BC	CRX0052BE	31,2	CRX0034AC	CRX0034AE
10	41,6	CRX0059CC	CRX0059CE	41,6	CRX0052AC	CRX0052AE

Continuación de las Tablas de selección

Tres fases

Valora- ción de HP	Tres fases de 208 voltios - 60 Hz					
	3 % de impedancia			5 % de impedancia		
	Ampe- rios	Núm. de parte del núcleo y la bobina	Núm. de parte recubierta	Ampe- rios	Núm. de parte del núcleo y la bobina	Núm. de parte recubierta
0,5	2,4	CRX02D4BC	CRX02D4BE	2,4	CRX02D4DC	CRX02D4DE
0,75	3,5	CRX03D5AC	CRX03D5AE	3,5	CRX03D5DC	CRX03D5DE
1	4,6	CRX04D6BC	CRX04D6BE	4,6	CRX04D6CC	CRX04D6CE
1,5	6,6	CRX06D6BC	CRX06D6BE	6,6	CRX06D6CC	CRX06D6CE
2	7,5	CRX07D5AC	CRX07D5AE	7,5	CRX07D5DC	CRX07D5DE
3	10,7	CRX10D7BC	CRX10D7BE	10,7	CRX10D7DC	CRX10D7DE
5	16,7	CRX16D7BC	CRX16D7BE	16,7	CRX16D7DC	CRX16D7DE
7,5	24	CRX0024AC	CRX0024AE	24	CRX0024CC	CRX0024CE
10	31	CRX0031BC	CRX0031BE	31	CRX0031CC	CRX0031CE
15	46	CRX0046BC	CRX0046BE	46	CRX0046CC	CRX0046CE
20	59	CRX0059AC	CRX0059AE	59	CRX0059CC	CRX0059CE
25	75	CRX0075AC	CRX0075AE	75	CRX0075CC	CRX0075CE
30	88	CRX0088BC	CRX0088BE	88	CRX0088CC	CRX0088CE
40	114	CRX0114AC	CRX0114AE	114	CRX0114CC	CRX0114CE
50	143	CRX0143AC	CRX0143AE	143	CRX0143DC	CRX0143DE
60	170	CRX0170BC	CRX0170BE	170	CRX0170DC	CRX0170DE
75	211	CRX0211BC	CRX0211BE	211	CRX0211CC	CRX0211CE
100	273	CRX0273BC	CRX0273BE	273	CRX0273CC	CRX0273CE
125	343	CRX0343BC	CRX0343BE	343	CRX0343CC	CRX0343CE
150	396	CRX0396BC	CRX0396BE	396	CRX0396DC	CRX0396DE
200	528	CRX0528BC	CRX0528BE	528	CRX0528CC	CRX0528CE

Continuación de las Tablas de selección

Tres fases

Valora- ción de HP	Tres fases de 240 voltios - 60 Hz					
	3 % de impedancia			5 % de impedancia		
	Ampe- rios	Núm. de parte del núcleo y la bobina	Núm. de parte recubierta	Ampe- rios	Núm. de parte del núcleo y la bobina	Núm. de parte recubierta
0,5	2,4	CRX02D4AC	CRX02D4AE	2,4	CRX02D4CC	CRX02D4CE
0,75	3,5	CRX03D5BC	CRX03D5BE	3,5	CRX03D5CC	CRX03D5CE
1	4,6	CRX04D6AC	CRX04D6AE	4,6	CRX04D6DC	CRX04D6DE
1,5	6,6	CRX06D6AC	CRX06D6AE	6,6	CRX06D6DC	CRX06D6DE
2	7,5	CRX07D5BC	CRX07D5BE	7,5	CRX07D5CC	CRX07D5CE
3	10,7	CRX10D7AC	CRX10D7AE	10,7	CRX10D7CC	CRX10D7CE
5	16,7	CRX16D7AC	CRX16D7AE	16,7	CRX16D7CC	CRX16D7CE
7,5	24	CRX0024BC	CRX0024BE	24	CRX0024DC	CRX0024DE
10	31	CRX0031AC	CRX0031AE	31	CRX0031DC	CRX0031DE
15	46	CRX0046AC	CRX0046AE	46	CRX0046DC	CRX0046DE
20	59	CRX0059BC	CRX0059BE	59	CRX0059DC	CRX0059DE
25	75	CRX0075BC	CRX0075BE	75	CRX0075DC	CRX0075DE
30	88	CRX0088AC	CRX0088AE	88	CRX0088DC	CRX0088DE
40	114	CRX0114BC	CRX0114BE	114	CRX0114DC	CRX0114DE
50	143	CRX0143BC	CRX0143BE	143	CRX0143CC	CRX0143CE
60	170	CRX0170AC	CRX0170AE	170	CRX0170CC	CRX0170CE
75	211	CRX0211AC	CRX0211AE	211	CRX0211DC	CRX0211DE
100	273	CRX0273AC	CRX0273AE	273	CRX0273DC	CRX0273DE
125	343	CRX0343AC	CRX0343AE	343	CRX0343DC	CRX0343DE
150	396	CRX0396AC	CRX0396AE	396	CRX0396CC	CRX0396CE
200	528	CRX0528AC	CRX0528AE	528	CRX0528DC	CRX0528DE

Continuación de las Tablas de selección

Tres fases

Valora- ción de HP	Tres fases de 480 voltios - 60 Hz		
	1,5 % de impedancia		
	Ampe- rios	Núm. de parte del núcleo y la bobina	Núm. de parte recubierta
0,5	2,4	CRX02D4AC	CRX02D4AE
0,75	3,5	CRX03D5BC	CRX03D5BE
1	4,6	CRX04D6AC	CRX04D6AE
1,5	6,6	CRX06D6AC	CRX06D6AE
2	7,5	CRX07D5BC	CRX07D5BE
3	10,7	CRX10D7AC	CRX10D7AE
5	16,7	CRX16D7AC	CRX16D7AE
7,5	24	CRX0024BC	CRX0024BE
10	31	CRX0031AC	CRX0031AE
15	46	CRX0046AC	CRX0046AE
20	59	CRX0059BC	CRX0059BE
25	75	CRX0075BC	CRX0075BE
30	88	CRX0088AC	CRX0088AE
40	114	CRX0114BC	CRX0114BE
50	143	CRX0143BC	CRX0143BE
60	170	CRX0170AC	CRX0170AE
75	211	CRX0211AC	CRX0211AE
100	273	CRX0273AC	CRX0273AE
125	343	CRX0343AC	CRX0343AE
150	396	CRX0396AC	CRX0396AE
200	528	CRX0528AC	CRX0528AE

Continuación de las Tablas de selección

Tres fases

Valora- ción de HP	Tres fases de 480 voltios - 60 Hz					
	3 % de impedancia			5 % de impedancia		
	Ampe- rios	Núm. de parte del núcleo y la bobina	Núm. de parte recubierta	Ampe- rios	Núm. de parte del núcleo y la bobina	Núm. de parte recubierta
0,5	1,1	CRX01D1AC	CRX01D1AE	1,1	CRX01D1BC	CRX01D1BE
0,75	1,6	CRX01D6AC	CRX01D6AE	1,6	CRX01D6BC	CRX01D6BE
1	2,1	CRX02D1AC	CRX02D1AE	2,1	CRX02D1BC	CRX02D1BE
1,5	3	CRX0003AC	CRX0003AE	3	CRX0003BC	CRX0003BE
2	3,4	CRX03D4AC	CRX03D4AE	3,4	CRX03D4BC	CRX03D4BE
3	4,8	CRX04D8AC	CRX04D8AE	4,8	CRX04D8BC	CRX04D8BE
5	7,6	CRX07D6AC	CRX07D6AE	7,6	CRX07D6BC	CRX07D6BE
7,5	11	CRX0011BC	CRX0011BE	11	CRX0011CC	CRX0011CE
10	14	CRX0014AC	CRX0014AE	14	CRX0014BC	CRX0014BE
15	21	CRX0021AC	CRX0021AE	21	CRX0021BC	CRX0021BE
20	27	CRX0027BC	CRX0027BE	27	CRX0027CC	CRX0027CE
25	34	CRX0034AC	CRX0034AE	34	CRX0034BC	CRX0034BE
30	40	CRX0040AC	CRX0040AE	40	CRX0040BC	CRX0040BE
40	52	CRX0052BC	CRX0052BE	52	CRX0052DC	CRX0052DE
50	65	CRX0065AC	CRX0065AE	65	CRX0065BC	CRX0065BE
60	77	CRX0077AC	CRX0077AE	77	CRX0077DC	CRX0077DE
75	96	CRX0096AC	CRX0096AE	96	CRX0096BC	CRX0096BE
100	124	CRX0124AC	CRX0124AE	124	CRX0124BC	CRX0124BE
125	156	CRX0156AC	CRX0156AE	156	CRX0156BC	CRX0156BE
150	180	CRX0180AC	CRX0180AE	180	CRX0180BC	CRX0180BE
200	240	CRX0240AC	CRX0240AE	240	CRX0240BC	CRX0240BE
250	302	CRX0302AC	CRX0302AE	302	CRX0302BC	CRX0302BE
300	361	CRX0361AC	CRX0361AE	361	CRX0361BC	CRX0361BE
350	414	CRX0414AC	CRX0414AE	414	CRX0414BC	CRX0414BE
400	477	CRX0477AC	CRX0477AE	477	CRX0477BC	CRX0477BE
450	515	CRX0515AC	CRX0515AE	515	CRX0515BC	CRX0515BE
500	590	CRX0590AC	CRX0590AE	590	CRX0590BC	CRX0590BE
600	720	CRX0720AC	CRX0720AE	77	Consulte a la fábrica	
700	840	CRX0840AC	CRX0840AE	96	Consulte a la fábrica	
800	960	CRX0960AC	CRX0960AE	124	Consulte a la fábrica	
900	1080	CRX1080AC	CRX1080AE	156	Consulte a la fábrica	
1000	1200	CRX1200AC	CRX1200AE	180	Consulte a la fábrica	

Continuación de las Tablas de selección

Tres fases

Valora- ción de HP	Tres fases de 600 voltios - 60 Hz					
	3 % de impedancia			5 % de impedancia		
	Ampe- rios	Núm. de parte del núcleo y la bobina	Núm. de parte recubierta	Ampe- rios	Núm. de parte del núcleo y la bobina	Núm. de parte recubierta
0,5	1	CRX0001AC	CRX0001AE	1	CRX0001BC	CRX0001BE
0,75	1,4	CRX01D4AC	CRX01D4AE	1,4	CRX01D4BC	CRX01D4BE
1	1,8	CRX01D8AC	CRX01D8AE	1,8	CRX01D8BC	CRX01D8BE
1,5	2,6	CRX02D6AC	CRX02D6AE	2,6	CRX02D6BC	CRX02D6BE
2	2,7	CRX02D7AC	CRX02D7AE	2,7	CRX02D7BC	CRX02D7BE
3	3,9	CRX03D9AC	CRX03D9AE	3,9	CRX03D9BC	CRX03D9BE
5	6,1	CRX06D1AC	CRX06D1AE	6,1	CRX06D1BC	CRX06D1BE
7,5	9	CRX0009AC	CRX0009AE	9	CRX0009BC	CRX0009BE
10	11	CRX0011AC	CRX0011AE	11	CRX0011DC	CRX0011DE
15	17	CRX0017AC	CRX0017AE	17	CRX0017BC	CRX0017BE
20	22	CRX0022AC	CRX0022AE	22	CRX0022BC	CRX0022BE
25	27	CRX0027AC	CRX0027AE	27	CRX0027DC	CRX0027DE
30	32	CRX0032AC	CRX0032AE	32	CRX0032BC	CRX0032BE
40	41	CRX0041AC	CRX0041AE	41	CRX0041BC	CRX0041BE
50	52	CRX0052AC	CRX0052AE	52	CRX0052CC	CRX0052CE
60	62	CRX0062AC	CRX0062AE	62	CRX0062BC	CRX0062BE
75	77	CRX0077BC	CRX0077BE	77	CRX0077CC	CRX0077CE
100	99	CRX0099AC	CRX0099AE	99	CRX0099BC	CRX0099BE
125	125	CRX0125AC	CRX0125AE	125	CRX0125BC	CRX0125BE
150	144	CRX0144AC	CRX0144AE	144	CRX0144BC	CRX0144BE
200	192	CRX0192AC	CRX0192AE	192	CRX0192BC	CRX0192BE
250	242	CRX0242AC	CRX0242AE	242	CRX0242BC	CRX0242BE
300	289	CRX0289AC	CRX0289AE	289	CRX0289BC	CRX0289BE
350	336	CRX0336AC	CRX0336AE	336	CRX0336BC	CRX0336BE
400	382	CRX0382AC	CRX0382AE	382	CRX0382BC	CRX0382BE
450	412	CRX0412AC	CRX0412AE	412	CRX0412BC	CRX0412BE
500	472	CRX0472AC	CRX0472AE	472	CRX0472BC	CRX0472BE

Continuación de las Tablas de selección

Valora- ción de HP	Tres fases de 690 voltios - 60 Hz					
	2,6 % de impedancia			4,5 % de impedancia		
	Ampe- rios	Núm. de parte del núcleo y la bobina	Núm. de parte recubierta	Ampe- rios	Núm. de parte del núcleo y la bobina	Núm. de parte recubierta
0,5	1	CRX0001AC	CRX0001AE	1	CRX0001BC	CRX0001BE
0,75	1,4	CRX01D4AC	CRX01D4AE	1,4	CRX01D4BC	CRX01D4BE
1	1,8	CRX01D8AC	CRX01D8AE	1,8	CRX01D8BC	CRX01D8BE
1,5	2,6	CRX02D6AC	CRX02D6AE	2,6	CRX02D6BC	CRX02D6BE
2	2,7	CRX02D7AC	CRX02D7AE	2,7	CRX02D7BC	CRX02D7BE
3	3,9	CRX03D9AC	CRX03D9AE	3,9	CRX03D9BC	CRX03D9BE
5	6,1	CRX06D1AC	CRX06D1AE	6,1	CRX06D1BC	CRX06D1BE
7,5	9	CRX0009AC	CRX0009AE	9	CRX0009BC	CRX0009BE
10	11	CRX0011AC	CRX0011AE	11	CRX0011DC	CRX0011DE
15	17	CRX0017AC	CRX0017AE	17	CRX0017BC	CRX0017BE
20	22	CRX0022AC	CRX0022AE	22	CRX0022BC	CRX0022BE
25	27	CRX0027AC	CRX0027AE	27	CRX0027DC	CRX0027DE
30	32	CRX0032AC	CRX0032AE	32	CRX0032BC	CRX0032BE
40	41	CRX0041AC	CRX0041AE	41	CRX0041BC	CRX0041BE
50	52	CRX0052AC	CRX0052AE	52	CRX0052CC	CRX0052CE
60	62	CRX0062AC	CRX0062AE	62	CRX0062BC	CRX0062BE
75	77	CRX0077BC	CRX0077BE	77	CRX0077CC	CRX0077CE
100	99	CRX0099AC	CRX0099AE	99	CRX0099BC	CRX0099BE
125	125	CRX0125AC	CRX0125AE	125	CRX0125BC	CRX0125BE
150	144	CRX0144AC	CRX0144AE	144	CRX0144BC	CRX0144BE
200	192	CRX0192AC	CRX0192AE	192	CRX0192BC	CRX0192BE
250	242	CRX0242AC	CRX0242AE	242	CRX0242BC	CRX0242BE
300	289	CRX0289AC	CRX0289AE	289	CRX0289BC	CRX0289BE
350	336	CRX0336AC	CRX0336AE	336	CRX0336BC	CRX0336BE
400	382	CRX0382AC	CRX0382AE	382	CRX0382BC	CRX0382BE
450	412	CRX0412AC	CRX0412AE	412	CRX0412BC	CRX0412BE
500	472	CRX0472AC	CRX0472AE	472	CRX0472BC	CRX0472BE

Tablas de especificaciones del núcleo y la bobina

Amperios RMS	Núcleo y bobina	Inductancia (mH)	Pérdida de vatios	Ancho	Profundidad	Altura	MTJ Ancho	MTJ Profundidad	MTJ A x P de la ranura	Figura del diagrama	Ref. del estilo de terminación	Tamaño del marco	Número de parte de la carcasa	Peso (lb)
1	CRX0001AC	27,20	21	4,13	2,29	5,13	2,81	1,79	0,28 x 0,38	1	1	1A	CREN1	2,5
	CRX0001BC	47,09	12	4,13	2,29	5,13	2,81	1,79	0,28 x 0,38	1	1	1A	CREN1	2,5
1,1	CRX01D1AC	20,36	12	4,13	2,29	5,13	2,81	1,79	0,28 x 0,38	1	1	1A	CREN1	2,5
	CRX01D1BC	33,94	15	4,13	2,29	5,13	2,81	1,79	0,28 x 0,38	1	1	1A	CREN1	2,5
1,4	CRX01D4AC	20,36	12	4,13	2,29	5,13	2,81	1,79	0,28 x 0,38	1	1	1A	CREN1	2,5
	CRX01D4BC	33,94	15	4,13	2,29	5,13	2,81	1,79	0,28 x 0,38	1	1	1A	CREN1	2,5
1,6	CRX01D6AC	14,91	15	4,13	2,29	5,13	2,81	1,79	0,28 x 0,38	1	1	1A	CREN1	2,5
	CRX01D6BC	23,55	12	4,13	2,29	5,13	2,81	1,79	0,28 x 0,38	1	1	1A	CREN1	2,5
1,8	CRX01D8AC	14,91	15	4,13	2,29	5,13	2,81	1,79	0,28 x 0,38	1	1	1A	CREN1	2,5
	CRX01D8BC	27,20	21	4,13	2,29	5,13	2,81	1,79	0,28 x 0,38	1	1	1A	CREN1	2,5
2	CRX0002CC	20,00	15	4,13	2,29	5,13	2,81	1,79	0,28 x 0,38	1	1	1A	CREN1	3
2,1	CRX02D1AC	10,61	19	4,13	2,29	5,13	2,81	1,79	0,28 x 0,38	1	1	1A	CREN1	2,5
	CRX02D1BC	17,83	21	4,13	2,29	5,13	2,81	1,79	0,28 x 0,38	1	1	1A	CREN1	3
2,4	CRX02D4AC	4,67	29	4,13	2,29	5,13	2,81	1,79	0,28 x 0,38	1	1	1A	CREN1	3
	CRX02D4BC	4,08	9	4,13	2,29	5,13	2,81	1,79	0,28 x 0,38	1	1	1A	CREN1	2,5
	CRX02D4CC	7,06	22	4,13	2,29	5,13	2,81	1,79	0,28 x 0,38	1	1	1A	CREN1	3
	CRX02D4DC	7,06	22	4,13	2,29	5,13	2,81	1,79	0,28 x 0,38	1	1	1A	CREN1	3
2,6	CRX02D6AC	10,61	35	4,13	2,29	5,13	2,81	1,79	0,28 x 0,38	1	1	1A	CREN1	3
	CRX02D6BC	17,83	21	4,13	2,29	5,13	2,81	1,79	0,28 x 0,38	1	1	1A	CREN1	3
2,7	CRX02D7AC	10,61	19	4,13	2,29	5,13	2,81	1,79	0,28 x 0,38	1	1	1A	CREN1	2,5
	CRX02D7BC	17,83	21	4,13	2,29	5,13	2,81	1,79	0,28 x 0,38	1	1	1A	CREN1	3
3	CRX0003AC	7,06	22	4,13	2,29	5,13	2,81	1,79	0,28 x 0,38	1	1	1A	CREN1	3
	CRX0003BC	10,61	35	4,13	2,29	5,13	2,81	1,79	0,28 x 0,38	1	1	1A	CREN1	3
3,4	CRX03D4AC	7,06	22	4,13	2,29	5,13	2,81	1,79	0,28 x 0,38	1	1	1A	CREN1	3
	CRX03D4BC	10,61	35	4,13	2,29	5,13	2,81	1,79	0,28 x 0,38	1	1	1A	CREN1	3
3,5	CRX03D5AC	2,80	15	4,13	2,29	5,13	2,81	1,79	0,28 x 0,38	1	1	1A	CREN1	2,5
	CRX03D5BC	3,55	18	4,13	2,29	5,13	2,81	1,79	0,28 x 0,38	1	1	1A	CREN1	2,5
	CRX03D5CC	5,09	40	6,50	5,00	6,13	4,38	4,00	0,28 x 0,38	1	2	1D	CREN1	11
	CRX03D5DC	4,67	29	4,13	2,29	5,13	2,81	1,79	0,28 x 0,38	1	1	1A	CREN1	3
3,9	CRX03D9AC	7,06	22	4,13	2,29	5,13	2,81	1,79	0,28 x 0,38	1	1	1A	CREN1	3
	CRX03D9BC	10,61	35	4,13	2,29	5,13	2,81	1,79	0,28 x 0,38	1	1	1A	CREN1	3
4	CRX0004CC	9,10	26	4,13	2,29	5,13	2,81	1,79	0,28 x 0,38	1	1	1A	CREN1	3
4,6	CRX04D6AC	2,13	15	4,13	2,29	5,13	2,81	1,79	0,28 x 0,38	1	1	1A	CREN1	2,5
	CRX04D6BC	2,13	15	4,13	2,29	5,13	2,81	1,79	0,28 x 0,38	1	1	1A	CREN1	2,5
	CRX04D6CC	3,55	18	4,13	2,29	5,13	2,81	1,79	0,28 x 0,38	1	1	1A	CREN1	2,5
	CRX04D6DC	4,67	29	4,13	2,29	5,13	2,81	1,79	0,28 x 0,38	1	1	1A	CREN1	3
4,8	CRX04D8AC	4,70	22	4,13	2,29	5,13	2,81	1,79	0,28 x 0,38	1	1	1A	CREN1	3
	CRX04D8BC	7,78	35	4,13	3,51	5,13	2,87	2,63	0,28 x 0,38	1	1	1B	CREN1	4,5
6,1	CRX06D1AC	4,67	29	4,13	2,29	5,13	2,81	1,79	0,28 x 0,38	1	1	1A	CREN1	3
	CRX06D1BC	7,78	35	4,13	3,51	5,13	2,87	2,63	0,28 x 0,38	1	1	1B	CREN1	4,5
6,6	CRX06D6AC	1,48	18	4,13	2,29	5,13	2,81	1,79	0,28 x 0,38	1	1	1A	CREN1	2,5
	CRX06D6BC	1,48	18	4,13	2,29	5,13	2,81	1,79	0,28 x 0,38	1	1	1A	CREN1	2,5
	CRX06D6CC	2,33	24	4,13	2,29	5,13	2,81	1,79	0,28 x 0,38	1	1	1A	CREN1	3
	CRX06D6DC	3,06	31	4,13	3,51	5,13	2,87	2,63	0,28 x 0,38	1	1	1B	CREN1	4,5
7,5	CRX07D5AC	1,31	18	4,13	2,29	5,13	2,81	1,79	0,28 x 0,38	1	1	1A	CREN1	2,5
	CRX07D5BC	1,53	25	4,13	3,51	5,38	2,87	2,63	0,28 x 0,38	1	2	1C	CREN1	4,5
	CRX07D5CC	2,33	24	4,13	2,29	5,13	2,81	1,79	0,28 x 0,38	1	1	1A	CREN1	3
	CRX07D5DC	2,33	24	4,13	2,29	5,13	2,81	1,79	0,28 x 0,38	1	1	1A	CREN1	3
7,6	CRX07D6AC	3,06	31	4,13	3,51	5,13	2,87	2,63	0,28 x 0,38	1	1	1B	CREN1	4,5
	CRX07D6BC	5,09	40	6,50	5,00	6,13	4,38	4,00	0,28 x 0,38	1	2	1D	CREN1	11
8	CRX0008CC	7,50	39	6,50	5,00	6,13	4,38	4,00	0,28 x 0,38	1	2	1D	CREN1	12

Todas las dimensiones en pulgadas
 Consulte desde la página 104 a la 107 para ver las imágenes

Continuación de las Tablas de especificaciones del núcleo y la bobina

Amperios RMS	Núcleo y bobina	Inductancia (mH)	Pérdida de vatios	Ancho	Profundidad	Altura	MTJ Ancho	MTJ Profundidad	MTJ A x P de la ranura	Figura del diagrama	Ref. del estilo de terminación	Tamaño del marco	Número de parte de la carcasa	Peso (lb)
9	CRX0009AC	3,06	31	4,13	3,51	5,13	2,87	2,63	0,28 x 0,38	1	1	1B	CREN1	4,5
	CRX0009BC	5,09	40	6,50	5,00	6,13	4,38	4,00	0,28 x 0,38	1	2	1D	CREN1	11
10,7	CRX10D7AC	0,95	30	4,13	3,51	5,38	2,87	2,63	0,28 x 0,38	1	2	1C	CREN1	4,5
	CRX10D7BC	0,95	30	4,13	3,51	5,38	2,87	2,63	0,28 x 0,38	1	2	1C	CREN1	4,5
	CRX10D7CC	1,64	37	4,13	3,51	5,38	2,87	2,63	0,28 x 0,38	1	2	1C	CREN1	4,5
	CRX10D7DC	1,53	25	4,13	3,51	5,38	2,87	2,63	0,28 x 0,38	1	2	1C	CREN1	4,5
11	CRX0011AC	2,57	36	4,13	3,51	5,38	2,87	2,63	0,28 x 0,38	1	2	1C	CREN1	5
	CRX0011BC	2,10	31	4,13	3,51	5,38	2,87	2,63	0,28 x 0,38	1	2	1C	CREN1	4,5
	CRX0011CC	3,40	39	6,50	5,00	6,13	4,38	4,00	0,28 x 0,38	1	2	1D	CREN1	11
	CRX0011DC	4,28	45	6,50	5,00	6,13	4,38	4,00	0,28 x 0,38	1	2	1D	CREN1	11
12	CRX0012CC	4,20	52	6,50	5,00	6,13	4,38	4,00	0,28 x 0,38	1	2	1D	CREN1	12
14	CRX0014AC	1,64	37	4,13	3,51	5,38	2,87	2,63	0,28 x 0,38	1	2	1C	CREN1	4,5
	CRX0014BC	2,73	57	6,50	5,00	6,13	4,38	4,00	0,28 x 0,38	1	2	1D	CREN1	11,5
16,7	CRX16D7AC	0,59	30	4,13	3,51	5,38	2,87	2,63	0,28 x 0,38	1	2	1C	CREN1	4,5
	CRX16D7BC	0,59	30	4,13	3,51	5,38	2,87	2,63	0,28 x 0,38	1	2	1C	CREN1	4,5
	CRX16D7CC	1,06	57	6,50	5,00	6,13	4,38	4,00	0,28 x 0,38	1	3	1D	CREN1	11,5
	CRX16D7DC	0,95	30	4,13	3,51	5,38	2,87	2,63	0,28 x 0,38	1	2	1C	CREN1	4,5
17	CRX0017AC	1,66	51	6,50	5,00	6,13	4,38	4,00	0,28 x 0,38	1	2	1D	CREN1	10,5
	CRX0017BC	2,73	57	6,50	5,00	6,13	4,38	4,00	0,28 x 0,38	1	2	1D	CREN1	11,5
21	CRX0021AC	1,06	57	6,50	5,00	6,13	4,38	4,00	0,28 x 0,38	1	3	1D	CREN1	11,5
	CRX0021BC	1,80	57	6,50	5,00	6,13	4,38	4,00	0,28 x 0,38	1	2	1D	CREN1	11,5
22	CRX0022AC	1,28	51	6,50	5,00	6,13	4,38	4,00	0,28 x 0,38	1	2	1D	CREN1	11
	CRX0022BC	2,14	77	6,50	5,00	6,13	4,38	4,00	0,28 x 0,38	1	2	1D	CREN1	12
24	CRX0024AC	0,41	35	4,13	3,51	5,38	2,87	2,63	0,28 x 0,38	1	2	1C	CREN1	4,5
	CRX0024BC	0,55	68	6,50	5,00	6,13	4,38	4,00	0,28 x 0,38	1	3	1D	CREN1	12
	CRX0024CC	0,68	47	6,50	5,00	6,13	4,38	4,00	0,28 x 0,38	1	2	1D	CREN1	11
	CRX0024DC	0,86	60	6,50	5,00	6,13	4,38	4,00	0,28 x 0,38	1	2	1D	CREN1	10,5
27	CRX0027AC	1,06	57	6,50	5,00	6,13	4,38	4,00	0,28 x 0,38	1	3	1D	CREN1	11,5
	CRX0027BC	0,86	60	6,50	5,00	6,13	4,38	4,00	0,28 x 0,38	1	2	1D	CREN1	10,5
	CRX0027CC	1,40	57	6,50	5,00	6,13	4,38	4,00	0,28 x 0,38	1	3	1D	CREN1	12,5
	CRX0027DC	1,77	93	7,12	4,69	6,38	4,80	3,27	0,38 x 0,50	2	3	2A	CREN2	11,5
31	CRX0031AC	0,32	31	6,50	5,00	6,13	4,38	4,00	0,28 x 0,38	1	3	1D	CREN1	10,5
	CRX0031BC	0,32	31	6,50	5,00	6,13	4,38	4,00	0,28 x 0,38	1	3	1D	CREN1	10,5
	CRX0031CC	0,55	68	6,50	5,00	6,13	4,38	4,00	0,28 x 0,38	1	3	1D	CREN1	12
	CRX0031DC	0,68	80	6,50	5,00	6,13	4,38	4,00	0,28 x 0,38	1	3	1D	CREN1	12,5
32	CRX0032AC	0,88	68	6,50	5,00	6,13	4,38	4,00	0,28 x 0,38	1	3	1D	CREN1	12
	CRX0032BC	1,43	80	7,12	4,69	6,38	4,80	3,27	0,38 x 0,50	2	3	2A	CREN2	12,5
34	CRX0034AC	0,68	80	6,50	5,00	6,13	4,38	4,00	0,28 x 0,38	1	3	1D	CREN1	12,5
	CRX0034BC	1,13	115	7,12	5,19	6,38	4,80	3,77	0,38 x 0,50	2	3	2B	CREN2	12
35	CRX0035CC	1,70	93	7,12	5,19	6,38	4,80	3,77	0,38 x 0,50	2	3	2B	CREN2	24
40	CRX0040AC	0,55	68	6,50	5,00	6,13	4,38	4,00	0,28 x 0,38	1	3	1D	CREN1	12
	CRX0040BC	0,94	105	7,12	4,69	6,38	4,80	3,27	0,38 x 0,50	2	3	2A	CREN2	12,5
41	CRX0041AC	0,68	80	6,50	5,00	6,13	4,38	4,00	0,28 x 0,38	1	3	1D	CREN1	12,5
	CRX0041BC	1,13	115	7,12	5,19	6,38	4,80	3,77	0,38 x 0,50	2	3	2B	CREN2	12
45	CRX0045CC	1,20	140	7,12	5,19	6,38	4,80	3,77	0,38 x 0,50	2	3	2B	CREN2	24
46	CRX0046AC	0,21	40	6,50	5,00	6,13	4,38	4,00	0,28 x 0,38	1	3	1D	CREN1	11
	CRX0046BC	0,21	40	6,50	5,00	6,13	4,38	4,00	0,28 x 0,38	1	3	1D	CREN1	11
	CRX0046CC	0,36	60	6,50	5,00	6,13	4,38	4,00	0,28 x 0,38	1	3	1D	CREN1	11,5
	CRX0046DC	0,45	130	7,12	4,69	6,38	4,80	3,27	0,38 x 0,50	2	3	2A	CREN2	19
52	CRX0052AC	0,50	70	7,12	4,69	6,38	4,80	3,27	0,38 x 0,50	2	3	2A	CREN2	15
	CRX0052BC	0,43	85	7,12	4,69	6,38	4,80	3,27	0,38 x 0,50	2	3	2A	CREN2	17

Todas las dimensiones en pulgadas
Consulte desde la página 104 a la 107 para ver las imágenes

Continuación de las Tablas de especificaciones del núcleo y la bobina

Amperios RMS	Núcleo y bobina	Inductancia (mH)	Pérdida de vatios	Ancho	Profundidad	Altura	MTJ Ancho	MTJ Profundidad	MTJ A x P de la ranura	Figura del diagrama	Ref. del estilo de terminación	Tamaño del marco	Número de la parte de la carcasa	Peso (lb)
52	CRX0052CC	0,91	130	7,12	5,19	6,38	4,80	3,77	0,38 x 0,50	2	3	2B	CREN2	25
	CRX0052DC	0,74	170	7,12	5,19	6,38	4,80	3,77	0,38 x 0,50	2	3	2B	CREN2	25
59	CRX0059AC	0,17	55	6,50	5,00	6,13	4,38	4,00	0,28 x 0,38	1	3	1D	CREN1	11,5
	CRX0059BC	0,22	85	7,25	5,88	5,63	4,80	3,27	0,38 x 0,50	3	4	3A	CREN2	18
	CRX0059CC	0,30	75	7,12	4,69	6,38	4,80	3,27	0,38 x 0,50	2	3	2A	CREN2	16
	CRX0059DC	0,36	110	7,25	6,00	5,63	4,80	3,77	0,38 x 0,50	3	4	3C	CREN2	25
62	CRX0062AC	0,45	130	7,12	4,69	6,38	4,80	3,27	0,38 x 0,50	2	3	2A	CREN2	19
	CRX0062BC	0,74	170	7,12	5,19	6,38	4,80	3,77	0,38 x 0,50	2	3	2B	CREN2	25
65	CRX0065AC	0,34	110	7,25	6,00	5,63	4,80	3,77	0,38 x 0,50	3	4	3C	CREN2	25
	CRX0065BC	0,57	120	7,25	6,00	5,63	4,80	3,77	0,38 x 0,50	3	4	3C	CREN2	25
75	CRX0075AC	0,12	70	7,25	5,88	5,63	4,80	3,27	0,38 x 0,50	3	4	3A	CREN2	17
	CRX0075BC	0,19	95	7,25	5,88	5,63	4,80	3,27	0,38 x 0,50	3	4	3A	CREN2	18
	CRX0075CC	0,22	85	7,25	5,88	5,63	4,80	3,27	0,38 x 0,50	3	4	3A	CREN2	18
	CRX0075DC	0,29	105	7,25	6,00	5,63	4,80	3,77	0,38 x 0,50	3	4	3C	CREN2	21
77	CRX0077AC	0,29	105	7,25	6,00	5,63	4,80	3,77	0,38 x 0,50	3	4	3C	CREN2	21
	CRX0077BC	0,36	110	7,25	6,00	5,63	4,80	3,77	0,38 x 0,50	3	4	3C	CREN2	25
	CRX0077CC	0,60	216	9,25	6,25	7,00	6,00	3,70	0,44 x 1,0	3	4	3E	CREN2	30
	CRX0077DC	0,49	160	7,25	6,00	5,63	4,80	3,77	0,38 x 0,50	3	4	3C	CREN2	24
88	CRX0088AC	0,12	70	7,25	5,88	5,63	4,80	3,27	0,38 x 0,50	3	4	3A	CREN2	17
	CRX0088BC	0,12	70	7,25	5,88	5,63	4,80	3,27	0,38 x 0,50	3	4	3A	CREN2	17
	CRX0088CC	0,19	95	7,25	5,88	5,63	4,80	3,27	0,38 x 0,50	3	4	3A	CREN2	18
	CRX0088DC	0,24	120	7,25	6,00	5,63	4,80	3,77	0,38 x 0,50	3	4	3C	CREN2	24
96	CRX0096AC	0,24	120	7,25	6,00	5,63	4,80	3,77	0,38 x 0,50	3	4	3C	CREN2	24
	CRX0096BC	0,39	170	9,25	8,25	7,00	6,00	5,70	0,44 x 1,0	3	4	3N	CREN2	49
99	CRX0099AC	0,28	125	7,25	6,00	5,63	4,80	3,77	0,38 x 0,50	3	4	3C	CREN2	26
	CRX0099BC	0,48	210	9,25	8,00	7,00	6,00	5,45	0,44 x 1,0	3	4	3L	CREN2	48
114	CRX0114AC	0,09	70	7,25	6,00	5,63	4,80	3,27	0,38 x 0,50	3	5	3B	CREN2	18
	CRX0114BC	0,11	140	9,25	6,75	7,00	6,00	3,83	0,44 x 1,0	3	5	3F	CREN2	28
	CRX0114CC	0,14	110	9,25	7,25	7,00	6,00	4,33	0,44 x 1,0	3	5	3J	CREN2	33
	CRX0114DC	0,19	190	10,80	8,25	10,00	7,20	5,21	0,44 x 1,0	4	5	4A	CRECH2	52
124	CRX0124AC	0,19	190	10,80	8,25	10,00	7,20	5,21	0,44 x 1,0	4	5	4A	CRECH2	52
	CRX0124BC	0,30	185	9,25	8,63	7,00	6,00	5,20	0,44 x 1,0	3	5	3Q	CREN2	48
125	CRX0125AC	0,23	160	9,25	7,63	7,00	6,00	4,70	0,44 x 1,0	3	5	3K	CREN2	41
	CRX0125BC	0,38	250	10,80	9,13	10,00	7,20	6,08	0,44 x 1,0	4	5	4C	CRECH2	67
143	CRX0143AC	0,07	88	7,25	6,00	5,63	4,80	3,27	0,38 x 0,50	3	5	3B	CREN2	20
	CRX0143BC	0,10	130	9,25	7,00	7,00	6,00	3,95	0,44 x 1,0	3	5	3H	CREN2	34
	CRX0143CC	0,11	140	9,25	6,75	7,00	6,00	3,83	0,44 x 1,0	3	5	3F	CREN2	28
	CRX0143DC	0,11	140	9,25	6,75	7,00	6,00	3,83	0,44 x 1,0	3	5	3F	CREN2	28
144	CRX0144AC	0,19	190	10,80	8,25	10,00	7,20	5,21	0,44 x 1,0	4	5	4A	CRECH2	52
	CRX0144BC	0,35	240	10,80	9,50	10,00	7,20	6,33	0,44 x 1,0	4	5	4D	CRECH4	74
156	CRX0156AC	0,15	210	9,25	7,00	7,00	6,00	4,08	0,44 x 1,0	3	5	3G	CREN2	32
	CRX0156BC	0,24	260	9,25	8,63	7,00	6,00	5,70	0,44 x 1,0	3	5	3R	CRECH2	32
170	CRX0170AC	0,06	100	7,25	6,25	5,63	4,80	3,77	0,38 x 0,50	3	5	3D	CREN2	23
	CRX0170BC	0,06	100	7,25	6,25	5,63	4,80	3,77	0,38 x 0,50	3	5	3D	CREN2	23
	CRX0170CC	0,10	130	9,25	7,00	7,00	6,00	3,95	0,44 x 1,0	3	5	3H	CREN2	34
	CRX0170DC	0,10	130	9,25	7,00	7,00	6,00	3,95	0,44 x 1,0	3	5	3H	CREN2	34
180	CRX0180AC	0,13	180	9,25	8,88	7,00	6,00	5,95	0,44 x 1,0	3	5	3S	CRECH2	54
	CRX0180BC	0,21	250	10,80	8,38	10,00	7,20	5,33	0,44 x 1,0	4	5	4B	CRECH2	63
192	CRX0192AC	0,15	200	9,25	8,25	7,00	6,00	5,45	0,44 x 1,0	3	5	3P	CRECH2	53
	CRX0192BC	0,25	325	10,80	10,50	10,00	7,20	7,33	0,44 x 1,0	4	5	4E	CRECH2	90
200	CRX0200CC	0,11	195	9,25	7,63	7,00	6,00	4,70	0,44 x 1,0	3	5	3K	CRECH2	44

Todas las dimensiones en pulgadas
Consulte desde la página 104 a la 107 para ver las imágenes

Continuación de las Tablas de especificaciones del núcleo y la bobina

Amperios RMS	Núcleo y bobina	Inductancia (mH)	Pérdida de vatios	Ancho	Profundidad	Altura	MTJ Ancho	MTJ Profundidad	MTJ A x P de la ranura	Figura del diagrama	Ref. del estilo de terminación	Tamaño del marco	Número de la parte de la carcasa	Peso (lb)
211	CRX0211AC	0,05	125	7,25	6,25	5,63	4,80	3,77	0,38 x 0,50	3	5	3D	CREN2	24
	CRX0211BC	0,05	125	7,25	6,25	5,63	4,80	3,77	0,38 x 0,50	3	5	3D	CREN2	24
	CRX0211CC	0,08	180	9,25	7,63	7,00	6,00	4,70	0,44 x 1,0	3	5	3K	CRECH2	39
	CRX0211DC	0,10	225	11,05	8,25	10,00	7,20	5,21	0,44 x 1,0	4	5	4G	CRECH2	58
240	CRX0240AC	0,10	225	11,05	8,25	10,00	7,20	5,21	0,44 x 1,0	4	5	4G	CRECH2	58
	CRX0240BC	0,16	435	13,75	11,63	12,50	9,00	8,70	0,44 x 1,0	4	5	4V	CRECH4	155
242	CRX0242AC	0,12	275	11,05	8,25	10,00	7,20	5,08	0,44 x 1,0	4	5	4F	CRECH2	59
	CRX0242BC	0,20	360	11,05	9,50	10,00	7,20	6,46	0,44 x 1,0	4	5	4M	CRECH4	87
273	CRX0273AC	0,04	130	9,25	8,13	7,00	6,00	5,20	0,44 x 1,0	3	5	3M	CRECH2	43
	CRX0273BC	0,04	130	9,25	8,13	7,00	6,00	5,20	0,44 x 1,0	3	5	3M	CRECH2	43
	CRX0273CC	0,06	200	11,05	9,13	10,00	7,20	6,08	0,44 x 1,0	4	5	4L	CRECH4	67
	CRX0273DC	0,08	310	13,75	9,00	12,50	9,00	6,05	0,44 x 1,0	4	5	4M	CRECH4	84
289	CRX0289AC	0,10	290	11,05	9,00	10,00	7,20	5,96	0,44 x 1,0	4	5	4K	CRECH4	75
	CRX0289BC	0,16	435	13,75	11,63	12,50	9,00	8,70	0,44 x 1,0	4	5	4V	CRECH4	155
302	CRX0302AC	0,08	310	13,75	9,00	12,50	9,00	6,05	0,44 x 1,0	4	5	4M	CRECH4	84
	CRX0302BC	0,13	475	13,75	11,38	14,50	9,00	8,42	0,44 x 1,0	4	5	4AA	CRECH4	171
336	CRX0336AC	0,08	360	13,75	9,38	14,50	9,00	6,42	0,44 x 1,0	4	5	4W	CRECH4	110
	CRX0336BC	0,13	475	13,75	11,38	14,50	9,00	8,42	0,44 x 1,0	4	5	4AA	CRECH4	171
343	CRX0343AC	0,03	200	11,05	8,63	10,00	7,20	5,58	0,44 x 1,0	4	5	4H	CRECH4	57
	CRX0343BC	0,03	200	11,05	8,63	10,00	7,20	5,58	0,44 x 1,0	4	5	4H	CRECH4	57
	CRX0343CC	0,05	230	11,05	8,88	10,00	7,20	5,83	0,44 x 1,0	4	5	4J	CRECH4	66
	CRX0343DC	0,06	325	13,75	9,38	12,50	9,00	6,42	0,44 x 1,0	4	5	4Q	CRECH4	95
361	CRX0361AC	0,06	325	13,75	9,38	12,50	9,00	6,42	0,44 x 1,0	4	5	4Q	CRECH4	95
	CRX0361BC	0,10	445	13,75	11,38	12,50	9,00	8,42	0,44 x 1,0	4	5	4U	CRECH5	147
382	CRX0382AC	0,07	435	13,75	10,38	12,50	9,00	7,30	0,44 x 1,0	4	5	4S	CRECH5	116
	CRX0382BC	0,12	580	13,75	11,50	14,50	9,00	8,67	0,44 x 1,0	4	5	4AB	CRECH5	180
396	CRX0396AC	0,03	200	11,05	8,63	10,00	7,20	5,58	0,44 x 1,0	4	5	4H	CRECH4	57
	CRX0396BC	0,03	200	11,05	8,63	10,00	7,20	5,58	0,44 x 1,0	4	5	4H	CRECH4	57
	CRX0396CC	0,04	300	13,75	9,38	12,50	9,00	6,42	0,44 x 1,0	4	5	4Q	CRECH4	92
	CRX0396DC	0,04	300	13,75	9,38	12,50	9,00	6,42	0,44 x 1,0	4	5	4Q	CRECH4	92
412	CRX0412AC	0,07	435	13,75	10,38	12,50	9,00	7,30	0,44 x 1,0	4	5	4S	CRECH5	116
	CRX0412BC	0,11	550	13,75	10,88	12,50	9,00	7,92	0,44 x 1,0	4	5	4T	CRECH5	146
414	CRX0414AC	0,06	400	13,75	10,13	12,50	9,00	7,17	0,44 x 1,0	4	5	4R	CRECH5	125
	CRX0414BC	0,08	505	13,75	11,38	12,50	9,00	8,42	0,44 x 1,0	4	5	4U	CRECH5	143
472	CRX0472AC	0,06	400	13,75	10,13	12,50	9,00	7,17	0,44 x 1,0	4	5	4R	CRECH5	125
	CRX0472BC	0,10	560	13,75	11,63	12,50	9,00	8,70	0,44 x 1,0	4	5	4V	CRECH5	171
477	CRX0477AC	0,05	420	13,75	10,88	14,50	9,00	7,42	0,44 x 1,0	4	6	4Z	CRECH6	145
	CRX0477BC	0,08	600	13,75	13,38	14,50	9,00	9,92	0,44 x 1,0	4	6	4AC	CRECH6	220
515	CRX0515AC	0,05	420	13,75	10,88	14,50	9,00	7,42	0,44 x 1,0	4	6	4Z	CRECH6	145
	CRX0515BC	0,08	600	13,75	13,38	14,50	9,00	9,92	0,44 x 1,0	4	6	4AC	CRECH6	220
528	CRX0528AC	0,02	220	13,75	9,38	12,50	9,00	5,70	0,44 x 1,0	4	6	4P	CRECH5	74
	CRX0528BC	0,02	220	13,75	9,38	12,50	9,00	5,70	0,44 x 1,0	4	6	4P	CRECH5	74
	CRX0528CC	0,03	355	13,75	9,63	14,50	9,00	6,17	0,44 x 1,0	4	6	4X	CRECH5	102
	CRX0528DC	0,04	495	13,75	10,63	14,50	9,00	7,17	0,44 x 1,0	4	6	4Y	CRECH5	133
590	CRX0590AC	0,04	495	13,75	10,63	14,50	9,00	7,17	0,44 x 1,0	4	6	4Y	CRECH5	133
	CRX0590BC	0,06	680	13,75	13,38	14,50	9,00	9,92	0,44 x 1,0	4	6	4AC	CRECH6	220
720	CRX0720AC	0,03	480	13,75	11,63	14,50	9,00	7,17	0,44 x 1,0	5	6	5A	CRECH6	145
840	CRX0840AC	0,03	570	13,75	11,88	14,50	9,00	7,17	0,44 x 1,0	5	6	5B	CRECH6	150
960	CRX0960AC	0,02	675	17,75	13,75	18,50	12,00	7,42	0,44 x 1,0	5	7	5D	CRECH6	270
1080	CRX1080AC	0,02	675	17,75	13,75	18,50	12,00	7,42	0,44 x 1,0	5	7	5D	CRECH6	270
1200	CRX1200AC	0,02	710	17,75	13,25	18,50	12,00	6,92	0,44 x 1,0	5	7	5C	CRECH6	250

Todas las dimensiones en pulgadas
 Consulte desde la página 104 a la 107 para ver las imágenes

Tablas de especificaciones de la carcasa

Amperios RMS	Carcasa	Inductancia (mH)	Pérdida de vatios	Ancho	Profundidad	Altura	MTJ Ancho	MTJ Profundidad	MTJ A x P de la ranura	Estilo de la carcasa	Ref. del estilo de terminación	Peso (lb)
1	CRX0001AE	27,20	21	10,00	10,00	8,13	7,00	6,00	0,188	N1	1	7,50
	CRX0001BE	47,09	12	10,00	10,00	8,13	7,00	6,00	0,188	N1	1	7,50
1,1	CRX01D1AE	20,36	12	10,00	10,00	8,13	7,00	6,00	0,188	N1	1	7,50
	CRX01D1BE	33,94	15	10,00	10,00	8,13	7,00	6,00	0,188	N1	1	7,50
1,4	CRX01D4AE	20,36	12	10,00	10,00	8,13	7,00	6,00	0,188	N1	1	7,50
	CRX01D4BE	33,94	15	10,00	10,00	8,13	7,00	6,00	0,188	N1	1	7,50
1,6	CRX01D6AE	14,91	15	10,00	10,00	8,13	7,00	6,00	0,188	N1	1	7,50
	CRX01D6BE	23,55	12	10,00	10,00	8,13	7,00	6,00	0,188	N1	1	7,50
1,8	CRX01D8AE	14,91	15	10,00	10,00	8,13	7,00	6,00	0,188	N1	1	7,50
	CRX01D8BE	27,20	21	10,00	10,00	8,13	7,00	6,00	0,188	N1	1	7,50
2	CRX0002CE	20,00	15	10,00	10,00	8,13	7,00	6,00	0,188	N1	1	8,00
2,1	CRX02D1AE	10,61	19	10,00	10,00	8,13	7,00	6,00	0,188	N1	1	7,50
	CRX02D1BE	17,83	21	10,00	10,00	8,13	7,00	6,00	0,188	N1	1	8,00
2,4	CRX02D4AE	4,67	29	10,00	10,00	8,13	7,00	6,00	0,188	N1	1	8,00
	CRX02D4BE	4,08	9	10,00	10,00	8,13	7,00	6,00	0,188	N1	1	7,50
	CRX02D4CE	7,06	22	10,00	10,00	8,13	7,00	6,00	0,188	N1	1	8,00
	CRX02D4DE	7,06	22	10,00	10,00	8,13	7,00	6,00	0,188	N1	1	8,00
2,6	CRX02D6AE	10,61	35	10,00	10,00	8,13	7,00	6,00	0,188	N1	1	8,00
	CRX02D6BE	17,83	21	10,00	10,00	8,13	7,00	6,00	0,188	N1	1	8,00
2,7	CRX02D7AE	10,61	19	10,00	10,00	8,13	7,00	6,00	0,188	N1	1	7,50
	CRX02D7BE	17,83	21	10,00	10,00	8,13	7,00	6,00	0,188	N1	1	8,00
3	CRX0003AE	7,06	22	10,00	10,00	8,13	7,00	6,00	0,188	N1	1	8,00
	CRX0003BE	10,61	35	10,00	10,00	8,13	7,00	6,00	0,188	N1	1	8,00
3,4	CRX03D4AE	7,06	22	10,00	10,00	8,13	7,00	6,00	0,188	N1	1	8,00
	CRX03D4BE	10,61	35	10,00	10,00	8,13	7,00	6,00	0,188	N1	1	8,00
3,5	CRX03D5AE	2,80	15	10,00	10,00	8,13	7,00	6,00	0,188	N1	1	7,50
	CRX03D5BE	3,55	18	10,00	10,00	8,13	7,00	6,00	0,188	N1	1	7,50
	CRX03D5CE	5,09	40	10,00	10,00	8,13	7,00	6,00	0,188	N1	2	16,00
	CRX03D5DE	4,67	29	10,00	10,00	8,13	7,00	6,00	0,188	N1	1	8,00
3,9	CRX03D9AE	7,06	22	10,00	10,00	8,13	7,00	6,00	0,188	N1	1	8,00
	CRX03D9BE	10,61	35	10,00	10,00	8,13	7,00	6,00	0,188	N1	1	8,00
4	CRX0004CE	9,10	26	10,00	10,00	8,13	7,00	6,00	0,188	N1	1	8,00
4,6	CRX04D6AE	2,13	15	10,00	10,00	8,13	7,00	6,00	0,188	N1	1	7,50
	CRX04D6BE	2,13	15	10,00	10,00	8,13	7,00	6,00	0,188	N1	1	7,50
	CRX04D6CE	3,55	18	10,00	10,00	8,13	7,00	6,00	0,188	N1	1	7,50
	CRX04D6DE	4,67	29	10,00	10,00	8,13	7,00	6,00	0,188	N1	1	8,00
4,8	CRX04D8AE	4,70	22	10,00	10,00	8,13	7,00	6,00	0,188	N1	1	8,00
	CRX04D8BE	7,78	35	10,00	10,00	8,13	7,00	6,00	0,188	N1	1	9,50
6,1	CRX06D1AE	4,67	29	10,00	10,00	8,13	7,00	6,00	0,188	N1	1	8,00
	CRX06D1BE	7,78	35	10,00	10,00	8,13	7,00	6,00	0,188	N1	1	9,50
6,6	CRX06D6AE	1,48	18	10,00	10,00	8,13	7,00	6,00	0,188	N1	1	7,50
	CRX06D6BE	1,48	18	10,00	10,00	8,13	7,00	6,00	0,188	N1	1	7,50
	CRX06D6CE	2,33	24	10,00	10,00	8,13	7,00	6,00	0,188	N1	1	8,00
	CRX06D6DE	3,06	31	10,00	10,00	8,13	7,00	6,00	0,188	N1	1	9,50
7,5	CRX07D5AE	1,31	18	10,00	10,00	8,13	7,00	6,00	0,188	N1	1	7,50
	CRX07D5BE	1,53	25	10,00	10,00	8,13	7,00	6,00	0,188	N1	2	9,50
	CRX07D5CE	2,33	24	10,00	10,00	8,13	7,00	6,00	0,188	N1	1	8,00
	CRX07D5DE	2,33	24	10,00	10,00	8,13	7,00	6,00	0,188	N1	1	8,00
7,6	CRX07D6AE	3,06	31	10,00	10,00	8,13	7,00	6,00	0,188	N1	1	9,50
	CRX07D6BE	5,09	40	10,00	10,00	8,13	7,00	6,00	0,188	N1	2	16,00
8	CRX0008CE	7,50	39	10,00	10,00	8,13	7,00	6,00	0,188	N1	2	17,00

Todas las dimensiones en pulgadas
 Consulte desde la página 107 a la 108 para ver las imágenes

Continuación de las Tablas de especificaciones de la carcasa

Amperios RMS	Carcasa	Inductancia (mH)	Pérdida de vatios	Ancho	Profundidad	Altura	MTJ Ancho	MTJ Profundidad	MTJ A x P de la ranura	Estilo de la carcasa	Ref. del estilo de terminación	Peso (lb)
9	CRX0009AE	3,06	31	10,00	10,00	8,13	7,00	6,00	0,188	N1	1	9,50
	CRX0009BE	5,09	40	10,00	10,00	8,13	7,00	6,00	0,188	N1	2	16,00
10,7	CRX10D7AE	0,95	30	10,00	10,00	8,13	7,00	6,00	0,188	N1	2	9,50
	CRX10D7BE	0,95	30	10,00	10,00	8,13	7,00	6,00	0,188	N1	2	9,50
	CRX10D7CE	1,64	37	10,00	10,00	8,13	7,00	6,00	0,188	N1	2	9,50
	CRX10D7DE	1,53	25	10,00	10,00	8,13	7,00	6,00	0,188	N1	2	9,50
11	CRX0011AE	2,57	36	10,00	10,00	8,13	7,00	6,00	0,188	N1	2	10,00
	CRX0011BE	2,10	31	10,00	10,00	8,13	7,00	6,00	0,188	N1	2	9,50
	CRX0011CE	3,40	39	10,00	10,00	8,13	7,00	6,00	0,188	N1	2	16,00
	CRX0011DE	4,28	45	10,00	10,00	8,13	7,00	6,00	0,188	N1	2	16,00
12	CRX0012CE	4,20	52	10,00	10,00	8,13	7,00	6,00	0,188	N1	2	17,00
14	CRX0014AE	1,64	37	10,00	10,00	8,13	7,00	6,00	0,188	N1	2	9,50
	CRX0014BE	2,73	57	10,00	10,00	8,13	7,00	6,00	0,188	N1	2	16,50
16,7	CRX16D7AE	0,59	30	10,00	10,00	8,13	7,00	6,00	0,188	N1	2	9,50
	CRX16D7BE	0,59	30	10,00	10,00	8,13	7,00	6,00	0,188	N1	2	9,50
	CRX16D7CE	1,06	57	10,00	10,00	8,13	7,00	6,00	0,188	N1	3	16,50
	CRX16D7DE	0,95	30	10,00	10,00	8,13	7,00	6,00	0,188	N1	2	9,50
17	CRX0017AE	1,66	51	10,00	10,00	8,13	7,00	6,00	0,188	N1	2	15,50
	CRX0017BE	2,73	57	10,00	10,00	8,13	7,00	6,00	0,188	N1	2	16,50
21	CRX0021AE	1,06	57	10,00	10,00	8,13	7,00	6,00	0,188	N1	3	16,50
	CRX0021BE	1,80	57	10,00	10,00	8,13	7,00	6,00	0,188	N1	2	16,50
22	CRX0022AE	1,28	51	10,00	10,00	8,13	7,00	6,00	0,188	N1	2	16,00
	CRX0022BE	2,14	77	10,00	10,00	8,13	7,00	6,00	0,188	N1	2	17,00
24	CRX0024AE	0,41	35	10,00	10,00	8,13	7,00	6,00	0,188	N1	2	9,50
	CRX0024BE	0,55	68	10,00	10,00	8,13	7,00	6,00	0,188	N1	3	17,00
	CRX0024CE	0,68	47	10,00	10,00	8,13	7,00	6,00	0,188	N1	2	16,00
	CRX0024DE	0,86	60	10,00	10,00	8,13	7,00	6,00	0,188	N1	2	15,50
27	CRX0027AE	1,06	57	10,00	10,00	8,13	7,00	6,00	0,188	N1	3	16,50
	CRX0027BE	0,86	60	10,00	10,00	8,13	7,00	6,00	0,188	N1	2	15,50
	CRX0027CE	1,40	57	10,00	10,00	8,13	7,00	6,00	0,188	N1	3	17,50
	CRX0027DE	1,77	93	14,00	14,00	12,13	10,00	10,50	0,188	N2	3	21,50
31	CRX0031AE	0,32	31	10,00	10,00	8,13	7,00	6,00	0,188	N1	3	15,50
	CRX0031BE	0,32	31	10,00	10,00	8,13	7,00	6,00	0,188	N1	3	15,50
	CRX0031CE	0,55	68	10,00	10,00	8,13	7,00	6,00	0,188	N1	3	17,00
	CRX0031DE	0,68	80	10,00	10,00	8,13	7,00	6,00	0,188	N1	3	17,50
32	CRX0032AE	0,88	68	10,00	10,00	8,13	7,00	6,00	0,188	N1	3	17,00
	CRX0032BE	1,43	80	14,00	14,00	12,13	10,00	10,50	0,188	N2	3	22,50
34	CRX0034AE	0,68	80	10,00	10,00	8,13	7,00	6,00	0,188	N1	3	17,50
	CRX0034BE	1,13	115	14,00	14,00	12,13	10,00	10,50	0,188	N2	3	22,00
35	CRX0035CE	1,70	93	14,00	14,00	12,13	10,00	10,50	0,188	N2	3	34,00
40	CRX0040AE	0,55	68	10,00	10,00	8,13	7,00	6,00	0,188	N1	3	17,00
	CRX0040BE	0,94	105	14,00	14,00	12,13	10,00	10,50	0,188	N2	3	22,50
41	CRX0041AE	0,68	80	10,00	10,00	8,13	7,00	6,00	0,188	N1	3	17,50
	CRX0041BE	1,13	115	14,00	14,00	12,13	10,00	10,50	0,188	N2	3	22,00
45	CRX0045CE	1,20	140	14,00	14,00	12,13	10,00	10,50	0,188	N2	3	34,00
46	CRX0046AE	0,21	40	10,00	10,00	8,13	7,00	6,00	0,188	N1	3	16,00
	CRX0046BE	0,21	40	10,00	10,00	8,13	7,00	6,00	0,188	N1	3	16,00
	CRX0046CE	0,36	60	10,00	10,00	8,13	7,00	6,00	0,188	N1	3	16,50
	CRX0046DE	0,45	130	14,00	14,00	12,13	10,00	10,50	0,188	N2	3	29,00
52	CRX0052AE	0,50	70	14,00	14,00	12,13	10,00	10,50	0,188	N2	3	25,00
	CRX0052BE	0,43	85	14,00	14,00	12,13	10,00	10,50	0,188	N2	3	27,00

Todas las dimensiones en pulgadas
 Consulte desde la página 107 a la 108 para ver las imágenes

Continuación de las Tablas de especificaciones de la carcasa

Amperios RMS	Carcasa	Inductancia (mH)	Pérdida de vatios	Ancho	Profundidad	Altura	MTJ Ancho	MTJ Profundidad	MTJ A x P de la ranura	Estilo de la carcasa	Ref. del estilo de terminación	Peso (lb)
52	CRX0052CE	0,91	130	14,00	14,00	12,13	10,00	10,50	0,188	N2	3	35,00
	CRX0052DE	0,74	170	14,00	14,00	12,13	10,00	10,50	0,188	N2	3	35,00
59	CRX0059AE	0,17	55	10,00	10,00	8,13	7,00	6,00	0,188	N1	3	16,50
	CRX0059BE	0,22	85	14,00	14,00	12,13	10,00	10,50	0,188	N2	4	28,00
	CRX0059CE	0,30	75	14,00	14,00	12,13	10,00	10,50	0,188	N2	3	26,00
	CRX0059DE	0,36	110	14,00	14,00	12,13	10,00	10,50	0,188	N2	4	35,00
62	CRX0062AE	0,45	130	14,00	14,00	12,13	10,00	10,50	0,188	N2	3	29,00
	CRX0062BE	0,74	170	14,00	14,00	12,13	10,00	10,50	0,188	N2	3	35,00
65	CRX0065AE	0,34	110	14,00	14,00	12,13	10,00	10,50	0,188	N2	4	35,00
	CRX0065BE	0,57	120	14,00	14,00	12,13	10,00	10,50	0,188	N2	4	35,00
75	CRX0075AE	0,12	70	14,00	14,00	12,13	10,00	10,50	0,188	N2	4	27,00
	CRX0075BE	0,19	95	14,00	14,00	12,13	10,00	10,50	0,188	N2	4	28,00
	CRX0075CE	0,22	85	14,00	14,00	12,13	10,00	10,50	0,188	N2	4	28,00
	CRX0075DE	0,29	105	14,00	14,00	12,13	10,00	10,50	0,188	N2	4	31,00
77	CRX0077AE	0,29	105	14,00	14,00	12,13	10,00	10,50	0,188	N2	4	31,00
	CRX0077BE	0,36	110	14,00	14,00	12,13	10,00	10,50	0,188	N2	4	35,00
	CRX0077CE	0,60	216	14,00	14,00	12,13	10,00	10,50	0,188	N2	4	40,00
	CRX0077DE	0,49	160	14,00	14,00	12,13	10,00	10,50	0,188	N2	4	34,00
88	CRX0088AE	0,12	70	14,00	14,00	12,13	10,00	10,50	0,188	N2	4	27,00
	CRX0088BE	0,12	70	14,00	14,00	12,13	10,00	10,50	0,188	N2	4	27,00
	CRX0088CE	0,19	95	14,00	14,00	12,13	10,00	10,50	0,188	N2	4	28,00
	CRX0088DE	0,24	120	14,00	14,00	12,13	10,00	10,50	0,188	N2	4	34,00
96	CRX0096AE	0,24	120	14,00	14,00	12,13	10,00	10,50	0,188	N2	4	34,00
	CRX0096BE	0,39	170	14,00	14,00	12,13	10,00	10,50	0,188	N2	4	59,00
99	CRX0099AE	0,28	125	14,00	14,00	12,13	10,00	10,50	0,188	N2	4	36,00
	CRX0099BE	0,48	210	14,00	14,00	12,13	10,00	10,50	0,188	N2	4	58,00
114	CRX0114AE	0,09	70	14,00	14,00	12,13	10,00	10,50	0,188	N2	5	28,00
	CRX0114BE	0,11	140	14,00	14,00	12,13	10,00	10,50	0,188	N2	5	38,00
	CRX0114CE	0,14	110	14,00	14,00	12,13	10,00	10,50	0,188	N2	5	43,00
	CRX0114DE	0,19	190	23,50	16,50	17,90	22,40	6,50	0,56	CH2	5	83,00
124	CRX0124AE	0,19	190	23,50	16,50	17,90	22,40	6,50	0,56	CH2	5	83,00
	CRX0124BE	0,30	185	14,00	14,00	12,13	10,00	10,50	0,188	N2	5	58,00
125	CRX0125AE	0,23	160	14,00	14,00	12,13	10,00	10,50	0,188	N2	5	51,00
	CRX0125BE	0,38	250	23,50	16,50	17,90	22,40	6,50	0,56	CH2	5	98,00
143	CRX0143AE	0,07	88	14,00	14,00	12,13	10,00	10,50	0,188	N2	5	30,00
	CRX0143BE	0,10	130	14,00	14,00	12,13	10,00	10,50	0,188	N2	5	44,00
	CRX0143CE	0,11	140	14,00	14,00	12,13	10,00	10,50	0,188	N2	5	38,00
	CRX0143DE	0,11	140	14,00	14,00	12,13	10,00	10,50	0,188	N2	5	38,00
144	CRX0144AE	0,19	190	23,50	16,50	17,90	22,40	6,50	0,56	CH2	5	83,00
	CRX0144BE	0,35	240	26,10	20,50	25,90	25,00	6,50	0,56	CH4	5	114,00
156	CRX0156AE	0,15	210	14,00	14,00	12,13	10,00	10,50	0,188	N2	5	42,00
	CRX0156BE	0,24	260	23,50	16,50	17,90	22,40	6,50	0,56	CH2	5	63,00
170	CRX0170AE	0,06	100	14,00	14,00	12,13	10,00	10,50	0,188	N2	5	33,00
	CRX0170BE	0,06	100	14,00	14,00	12,13	10,00	10,50	0,188	N2	5	33,00
	CRX0170CE	0,10	130	14,00	14,00	12,13	10,00	10,50	0,188	N2	5	44,00
	CRX0170DE	0,10	130	14,00	14,00	12,13	10,00	10,50	0,188	N2	5	44,00
180	CRX0180AE	0,13	180	23,50	16,50	17,90	22,40	6,50	0,56	CH2	5	85,00
	CRX0180BE	0,21	250	23,50	16,50	17,90	22,40	6,50	0,56	CH2	5	94,00
192	CRX0192AE	0,15	200	23,50	16,50	17,90	22,40	6,50	0,56	CH2	5	84,00
	CRX0192BE	0,25	325	23,50	16,50	17,90	22,40	6,50	0,56	CH2	5	121,00
200	CRX0200CE	0,11	195	23,50	16,50	17,90	22,40	6,50	0,56	CH2	5	75,00

Todas las dimensiones en pulgadas
Consulte desde la página 107 a la 108 para ver las imágenes

Continuación de las Tablas de especificaciones de la carcasa

Amperios RMS	Carcasa	Inductancia (mH)	Pérdida de vatios	Ancho	Profundidad	Altura	MTJ Ancho	MTJ Profundidad	MTJ A x P de la ranura	Estilo de la carcasa	Ref. del estilo de terminación	Peso (lb)
211	CRX0211AE	0,05	125	14,00	14,00	12,13	10,00	10,50	0,188	N2	5	34,00
	CRX0211BE	0,05	125	14,00	14,00	12,13	10,00	10,50	0,188	N2	5	34,00
	CRX0211CE	0,08	180	23,50	16,50	17,90	22,40	6,50	0,56	CH2	5	70,00
	CRX0211DE	0,10	225	23,50	16,50	17,90	22,40	6,50	0,56	CH2	5	89,00
240	CRX0240AE	0,10	225	23,50	16,50	17,90	22,40	6,50	0,56	CH2	5	89,00
	CRX0240BE	0,16	435	26,10	20,50	25,90	25,00	6,50	0,56	CH4	5	195,00
242	CRX0242AE	0,12	275	23,50	16,50	17,90	22,40	6,50	0,56	CH2	5	90,00
	CRX0242BE	0,20	360	26,10	20,50	25,90	25,00	6,50	0,56	CH4	5	127,00
273	CRX0273AE	0,04	130	23,50	16,50	17,90	22,40	6,50	0,56	CH2	5	74,00
	CRX0273BE	0,04	130	23,50	16,50	17,90	22,40	6,50	0,56	CH2	5	74,00
	CRX0273CE	0,06	200	26,10	20,50	25,90	25,00	6,50	0,56	CH4	5	107,00
	CRX0273DE	0,08	310	26,10	20,50	25,90	25,00	6,50	0,56	CH4	5	124,00
289	CRX0289AE	0,10	290	26,10	20,50	25,90	25,00	6,50	0,56	CH4	5	115,00
	CRX0289BE	0,16	435	26,10	20,50	25,90	25,00	6,50	0,56	CH4	5	195,00
302	CRX0302AE	0,08	310	26,10	20,50	25,90	25,00	6,50	0,56	CH4	5	124,00
	CRX0302BE	0,13	475	26,10	20,50	25,90	25,00	6,50	0,56	CH4	5	211,00
336	CRX0336AE	0,08	360	26,10	20,50	25,90	25,00	6,50	0,56	CH4	5	150,00
	CRX0336BE	0,13	475	26,10	20,50	25,90	25,00	6,50	0,56	CH4	5	211,00
343	CRX0343AE	0,03	200	26,10	20,50	25,90	25,00	6,50	0,56	CH4	5	97,00
	CRX0343BE	0,03	200	26,10	20,50	25,90	25,00	6,50	0,56	CH4	5	97,00
	CRX0343CE	0,05	230	26,10	20,50	25,90	25,00	6,50	0,56	CH4	5	106,00
	CRX0343DE	0,06	325	26,10	20,50	25,90	25,00	6,50	0,56	CH4	5	135,00
361	CRX0361AE	0,06	325	26,10	20,50	25,90	25,00	6,50	0,56	CH4	5	135,00
	CRX0361BE	0,10	445	28,10	21,30	28,90	27,00	6,50	0,56	CH5	5	203,00
382	CRX0382AE	0,07	435	28,10	21,30	28,90	27,00	6,50	0,56	CH5	5	172,00
	CRX0382BE	0,12	580	28,10	21,30	28,90	27,00	6,50	0,56	CH5	5	236,00
396	CRX0396AE	0,03	200	26,10	20,50	25,90	25,00	6,50	0,56	CH4	5	97,00
	CRX0396BE	0,03	200	26,10	20,50	25,90	25,00	6,50	0,56	CH4	5	97,00
	CRX0396CE	0,04	300	26,10	20,50	25,90	25,00	6,50	0,56	CH4	5	132,00
	CRX0396DE	0,04	300	26,10	20,50	25,90	25,00	6,50	0,56	CH4	5	132,00
412	CRX0412AE	0,07	435	28,10	21,30	28,90	27,00	6,50	0,56	CH5	5	172,00
	CRX0412BE	0,11	550	28,10	21,30	28,90	27,00	6,50	0,56	CH5	5	202,00
414	CRX0414AE	0,06	400	28,10	21,30	28,90	27,00	6,50	0,56	CH5	5	181,00
	CRX0414BE	0,08	505	28,10	21,30	28,90	27,00	6,50	0,56	CH5	5	199,00
472	CRX0472AE	0,06	400	28,10	21,30	28,90	27,00	6,50	0,56	CH5	5	181,00
	CRX0472BE	0,10	560	28,10	21,30	28,90	27,00	6,50	0,56	CH5	5	227,00
477	CRX0477AE	0,05	420	33,50	23,00	31,20	32,50	9,00	0,56	CH6	6	231,00
	CRX0477BE	0,08	600	33,50	23,00	31,20	32,50	9,00	0,56	CH6	6	306,00
515	CRX0515AE	0,05	420	33,50	23,00	31,20	32,50	9,00	0,56	CH6	6	231,00
	CRX0515BE	0,08	600	33,50	23,00	31,20	32,50	9,00	0,56	CH6	6	306,00
528	CRX0528AE	0,02	220	28,10	21,30	28,90	27,00	6,50	0,56	CH5	6	130,00
	CRX0528BE	0,02	220	28,10	21,30	28,90	27,00	6,50	0,56	CH5	6	130,00
	CRX0528CE	0,03	355	28,10	21,30	28,90	27,00	6,50	0,56	CH5	6	158,00
	CRX0528DE	0,04	495	28,10	21,30	28,90	27,00	6,50	0,56	CH5	6	189,00
590	CRX0590AE	0,04	495	28,10	21,30	28,90	27,00	6,50	0,56	CH5	6	189,00
	CRX0590BE	0,06	680	33,50	23,00	31,20	32,50	9,00	0,56	CH6	6	306,00
720	CRX0720AE	0,03	480	33,50	23,00	31,20	32,50	9,00	0,56	CH6	6	231,00
840	CRX0840AE	0,03	570	33,50	23,00	31,20	32,50	9,00	0,56	CH6	6	236,00
960	CRX0960AE	0,02	675	33,50	23,00	31,20	32,50	9,00	0,56	CH6	7	356,00
1080	CRX1080AE	0,02	675	33,50	23,00	31,20	32,50	9,00	0,56	CH6	7	356,00
1200	CRX1200AE	0,02	710	33,50	23,00	31,20	32,50	9,00	0,56	CH6	7	336,00

Todas las dimensiones en pulgadas

Consulte desde la página 107 a la 108 para ver las imágenes

Recepción e Inspección

Antes de descargar cualquier equipo, primero se deben inspeccionar los reactores para verificar que la información de envío sea correcta. Confirme que el número de parte de identificación en la placa de identificación del reactor coincida con la lista de empaque y la factura de carga.

Inspeccione los reactores inmediatamente después de recibirlos para obtener evidencia de daño o indicación de manejo brusco que pueda haber sido causado durante el envío.

El examen debe realizarse antes de retirar el reactor de los vehículos de envío. La inspección también debe realizarse para obtener cualquier evidencia de agua u otros contaminantes que puedan haber entrado en el reactor durante el tránsito. Se debe presentar un reclamo ante el transportista de manera inmediata y el fabricante debe ser notificado.

Los reactores se envían como un conjunto de núcleo y bobina, parcialmente ensamblado dentro de una carcasa o completamente ensamblado en una carcasa de metal. Todas las partes y componentes están empacados en una caja de cartón o envueltos en hojas de plástico transparente y cubiertos con una lona de envío.

Una vez que la unidad se ha recibido, proceda con una inspección interna (retire las cubiertas o paneles si se encuentran cubiertos) para detectar cualquier evidencia de partes deterioradas o desplazadas, conexiones sueltas o rotas, tableros de terminales dañados, suciedad o materiales extraños y presencia de agua o humedad. Si algún daño es evidente, póngase en contacto con el fabricante del reactor o su representante de manera inmediata.

Procedimientos de elevación



ADVERTENCIA

El incumplimiento de los procedimientos de elevación puede causar la muerte, lesiones graves o daños en el reactor y la carcasa.

Las unidades más pequeñas y los conjuntos se envían en cajas de cartón o sobre un palé de madera rodeado por una envoltura de plástico. La caja de madera es adecuada para ser movida con un montacargas. Para reactores y conjuntos de mayor tamaño, es esencial disponer de una grúa suspendida.

Al levantar, **nunca la levante directamente por la carcasa** a menos que haya instrucciones claras que indiquen lo contrario. A menudo los reactores se suministran como un núcleo y una bobina. Sin embargo, si se suministra con una carcasa de "choque", se deben retirar los paneles del techo, los paneles de acceso lateral y la cubierta de la carcasa. Para levantar el conjunto del núcleo y la bobina se deben utilizar las provisiones de levantamiento en el núcleo del reactor. Se debe tener cuidado para evitar daños debido a la restricción de altura. Se requiere por lo menos de 4 a 5 pies de distancia desde la parte superior de la carcasa o cáncamos de elevación, así como barras de separación para facilitar el levantamiento.

continúa en la página siguiente

Continuación de los Procedimientos de elevación



Cáncamos con hombro



Ángulo de elevación

FIGURA 1

El núcleo y las bobinas del reactor, y las carcasas ensambladas están diseñados para la elevación de horquillas/elevadores, a menos que se hayan solicitado otras disposiciones. Asegúrese de que las horquillas se extiendan completamente debajo de la carcasa.

Se debe tener cuidado al manipular la carcasa debido a la naturaleza mecánica más ligera de los marcos y paneles.

Almacenamiento



ADVERTENCIA

El incumplimiento de los requisitos de almacenamiento puede provocar la muerte o lesiones graves o daños materiales considerables.

Los reactores deben almacenarse en una ubicación cálida y seca, libre de polvo o contaminantes transportados por el aire. La humedad relativa a la que están expuestos los materiales aislantes debe mantenerse lo más baja posible.

El suelo sobre el que se almacena el reactor debe ser impermeable a la migración ascendente de vapor de agua. Tome las precauciones necesarias para protegerlo contra el agua de cualquier fuente, tales como goteras en el techo, tuberías de agua o de vapor rotas, ventanas, etc. No se recomienda almacenar las unidades del tipo seco en el exterior. Si esto es inevitable, los reactores deben estar debidamente protegidos de la nieve, la lluvia y otros elementos. La protección debe incluir una envoltura inicial de lienzo de primera calidad con una cubierta exterior final de lona de plástico. Asimismo sería deseable incluir un desecante tal como un sistema de secado de gel de sílice a fin de reducir el contenido de humedad dentro de la unidad. Si los reactores se almacenan al aire libre, se recomienda su secado antes de energizarlos como se describe en la página siguiente.

Precauciones de instalación



ADVERTENCIA

El incumplimiento de las precauciones de instalación puede provocar la muerte o lesiones personales y dañar el reactor o el gabinete.

1. Se recomienda que las almohadillas antivibración u otros dispositivos de aislamiento de vibración estén presentes cuando se realice la instalación de los reactores. Al instalar las almohadillas antivibración debajo de la viga de base del reactor, asegúrese de que se tome solo del núcleo y la bobina para elevar el reactor (consulte "Procedimientos de elevación").
2. El tipo de cable, tamaño y ubicación de entrada deben ajustarse a los códigos eléctricos locales.
3. Los bloques de los terminales y los terminales no deben utilizarse para soportar el peso de los cables de línea o de carga.
4. Mantenga el espacio adecuado entre los cables de suministro y las partes vivas del reactor. (Consulte Pruebas de campo).
5. Se recomienda que los cables de alimentación o de carga entren o salgan de la parte inferior o lateral y no bloqueen las aberturas de ventilación.
6. Si debe realizarse alguna perforación, trituración o pintura del equipo, el ensamblaje del núcleo y la bobina debe estar protegido por una cubierta (por ejemplo, lona) para que nada pueda caer en o dentro de la bobina.
7. No reemplace los pernos de latón con pernos de otros materiales.

Instalación mecánica

La unidad del núcleo y la bobina

1. Las dimensiones del producto, las dimensiones del montaje, las dimensiones de hardware y el torque máximo se pueden encontrar desde la página 104 a la 109. El tamaño del marco del producto de cada producto se muestra en las tablas de especificaciones desde la página 93 a la 96. El montaje de hardware no está incluido con el producto.
2. El kit de la carcasa con hardware se vende por separado. Seleccione el número de parte de la carcasa en las tablas de especificaciones desde la página 93 a la 96 para ordenar. Las dimensiones de la carcasa y las dimensiones del montaje se pueden encontrar desde la página 107 a la 108. La tienda del panel aprobado por UL requiere ensamblar la unidad junto a la lista de productos de recubrimiento de UL.

Unidad recubierta

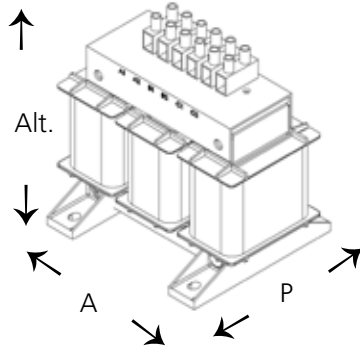
3. Las dimensiones del producto, las dimensiones del montaje, el hardware del montaje y el torque máximo se pueden encontrar desde la página 107 a la 109. El estilo de la carcasa de cada producto se muestra en las tablas de especificaciones desde la página 97 a la 100. El montaje de hardware no está incluido con el producto.

Instalación eléctrica

4. El estilo de terminación y el toque máximo se pueden encontrar en la página 111. Siga las instrucciones de la página 110 para las conexiones de una sola fase y de tres fases. El reactor debe conectarse lo más cerca posible al dispositivo de velocidad variable.

Tamaño del marco

Fig. núm. 1

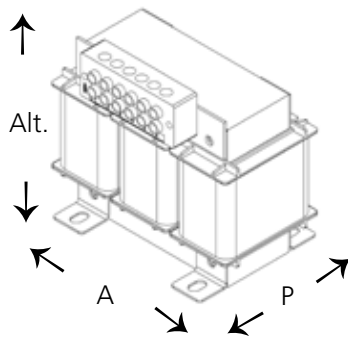


Accesorios de montaje

- (no incluido)
- 4 pernos - 1/4 in
- 4 tuercas - 1/4 in
- 8 arandelas planas - 1/4 in
- 4 arandelas de seguridad- 1/4 in
- Torque de ajuste máximo: 5,5 ft/lb

Tamaño del marco	Altura	Ancho	Profundidad	Ancho del MTJ	Profundidad del MTJ	Ranura del MTJ A x P
1A	5,13	4,13	2,29	2,81	1,79	0,28 x 0,38
1B	5,13	4,13	3,51	2,87	2,63	0,28 x 0,38
1C	5,38	4,13	3,51	2,87	2,63	0,28 x 0,38
1D	6,13	6,50	5,00	4,38	4,00	0,28 x 0,38

Fig. núm. 2



Accesorios de montaje

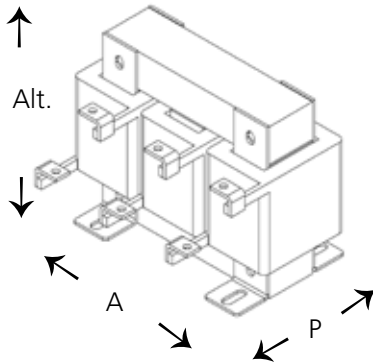
- (no incluido)
- 4 pernos - 5/16 in
- 4 tuercas - 5/16 in
- 8 arandelas planas - 5/16 in
- 4 arandelas de seguridad- 5/16 in
- Torque de ajuste máximo: 18 ft/lb

Tamaño del marco	Altura	Ancho	Profundidad	Ancho del MTJ	Profundidad del MTJ	Ranura del MTJ A x P
2A	6,38	7,12	4,69	4,80	3,27	0,38 x 0,50
2B	6,38	7,12	5,19	4,80	3,77	0,38 x 0,50

continúa en la página siguiente

Continuación del tamaño de marco

Fig. núm. 3

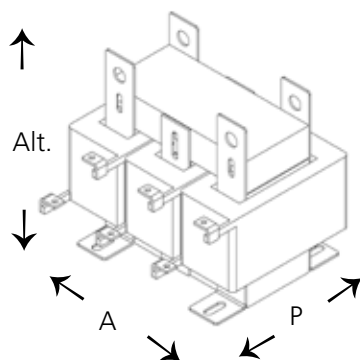


Accesorios de montaje (no incluido)	Ranura de 0,38 x 0,50	Ranura de 0,44 x 1,0
4 pernos	5/16 in	3/8 in
4 tuercas	5/16 in	3/8 in
8 arandelas planas	5/16 in	3/8 in
4 arandelas de seguridad	5/16 in	3/8 in
Torque de ajuste máximo	18 ft/lb	28 ft/lb

Tamaño del marco	Altura	Ancho	Profundidad	Ancho del MTJ	Profundidad del MTJ	Ranura del MTJ A x P
3A	5,63	7,25	5,88	4,80	3,27	0,38 x 0,50
3B	5,63	7,25	6,00	4,80	3,77	0,38 x 0,50
3C	5,63	7,25	6,00	4,80	3,27	0,38 x 0,50
3D	5,63	7,25	6,25	4,80	3,77	0,38 x 0,50
3E	7,00	9,25	6,25	6,00	3,70	0,44 x 1,0
3F	7,00	9,25	6,75	6,00	3,83	0,44 x 1,0
3G	7,00	9,25	7,00	6,00	4,08	0,44 x 1,0
3H	7,00	9,25	7,00	6,00	3,95	0,44 x 1,0
3J	7,00	9,25	7,25	6,00	4,33	0,44 x 1,0
3K	7,00	9,25	7,63	6,00	4,70	0,44 x 1,0
3L	7,00	9,25	8,00	6,00	5,45	0,44 x 1,0
3M	7,00	9,25	8,13	6,00	5,20	0,44 x 1,0
3N	7,00	9,25	8,25	6,00	5,70	0,44 x 1,0
3P	7,00	9,25	8,25	6,00	5,45	0,44 x 1,0
3Q	7,00	9,25	8,63	6,00	5,20	0,44 x 1,0
3R	7,00	9,25	8,63	6,00	5,70	0,44 x 1,0
3S	7,00	9,25	8,88	6,00	5,95	0,44 x 1,0

continúa en la página siguiente

Fig. núm. 4

**Accesorios de montaje**

(no incluido)

4 pernos - 3/8 in

4 tuercas - 3/8 in

8 arandelas planas - 3/8 in

4 arandelas de seguridad - 3/8 in

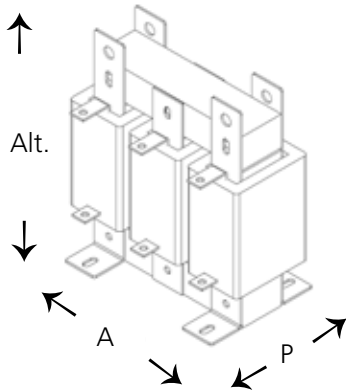
Torque de ajuste máximo: 28 ft/lb

Tamaño del marco	Altura	Ancho	Profundidad	Ancho del MTJ	Profundidad del MTJ	Ranura del MTJ A x P
4A	10,00	10,80	8,25	7,20	5,21	0,44 x 1,0
4B	10,00	10,80	8,38	7,20	5,33	0,44 x 1,0
4C	10,00	10,80	9,13	7,20	6,08	0,44 x 1,0
4D	10,00	10,80	9,50	7,20	6,33	0,44 x 1,0
4E	10,00	10,80	10,50	7,20	7,33	0,44 x 1,0
4F	10,00	11,05	8,25	7,20	5,08	0,44 x 1,0
4G	10,00	11,05	8,25	7,20	5,21	0,44 x 1,0
4H	10,00	11,05	8,63	7,20	5,58	0,44 x 1,0
4J	10,00	11,05	8,88	7,20	5,83	0,44 x 1,0
4K	10,00	11,05	9,00	7,20	5,96	0,44 x 1,0
4L	10,00	11,05	9,13	7,20	6,08	0,44 x 1,0
4M	10,00	11,05	9,50	7,20	6,46	0,44 x 1,0
4N	12,50	13,75	9,00	9,00	6,05	0,44 x 1,0
4P	12,50	13,75	9,38	9,00	5,70	0,44 x 1,0
4Q	12,50	13,75	9,38	9,00	6,42	0,44 x 1,0
4R	12,50	13,75	10,13	9,00	7,17	0,44 x 1,0
4S	12,50	13,75	10,38	9,00	7,30	0,44 x 1,0
4T	12,50	13,75	10,88	9,00	7,92	0,44 x 1,0
4U	12,50	13,75	11,38	9,00	8,42	0,44 x 1,0
4V	12,50	13,75	11,63	9,00	8,70	0,44 x 1,0
4W	14,50	13,75	9,38	9,00	6,42	0,44 x 1,0
4X	14,50	13,75	9,63	9,00	6,17	0,44 x 1,0
4Y	14,50	13,75	10,63	9,00	7,17	0,44 x 1,0
4Z	14,50	13,75	10,88	9,00	7,42	0,44 x 1,0
4AA	14,50	13,75	11,38	9,00	8,42	0,44 x 1,0
4AB	14,50	13,75	11,50	9,00	8,67	0,44 x 1,0
4AC	14,50	13,75	13,38	9,00	9,92	0,44 x 1,0

continúa en la página siguiente

Continuación del tamaño de marco

Fig. núm. 5



Accesorios de montaje

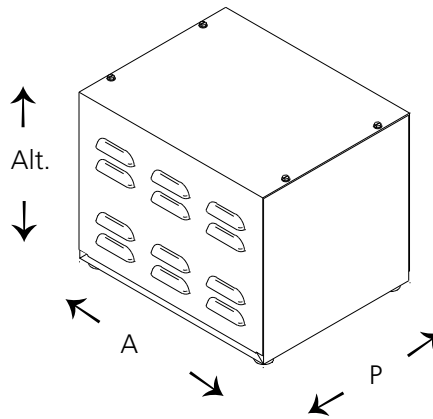
- (no incluido)
- 4 pernos - 3/8 in
- 4 tuercas - 3/8 in
- 8 arandelas planas - 3/8 in
- 4 arandelas de seguridad - 3/8 in
- Torque de ajuste máximo: 28 ft/lb

Tamaño del marco	Altura	Ancho	Profundidad	Ancho del MTJ	Profundidad del MTJ	Ranura del MTJ A x P
5A	14,50	13,75	11,63	9,00	7,17	0,44 x 1,0
5B	14,50	13,75	11,88	9,00	7,17	0,44 x 1,0
5C	18,50	17,75	13,25	12,00	6,92	0,44 x 1,0
5D	18,50	17,75	13,75	12,00	7,42	0,44 x 1,0

Estilo de la carcasa

N1

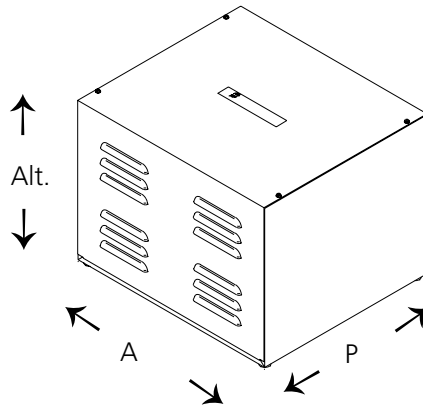
CREN1



- Altura - 8,13 in
- Ancho - 10 in
- Profundidad - 10 in
- Ancho del MTJ - 7 in
- Profundidad del MTJ - 6 in
- Tamaño de la ranura/agujero del MTJ - 0,188 in

N2

CREN2



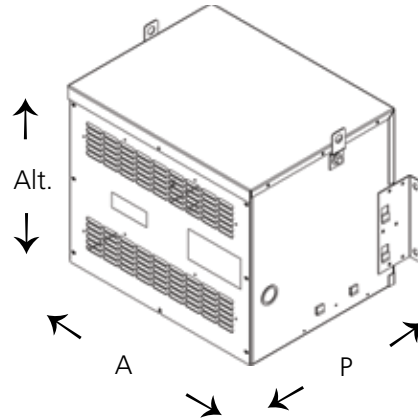
- Altura - 12,13 in
- Ancho - 14 in
- Profundidad - 14 in
- Ancho del MTJ - 10 in
- Profundidad del MTJ - 10,5 in
- Tamaño de la ranura/agujero del MTJ - 0,188 in

continúa en la página siguiente

Continuación del estilo de la carcasa

CH2

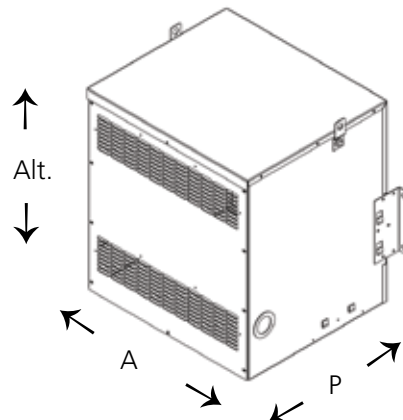
CRECH2



Altura - 17,9 in
 Ancho - 23,5 in
 Profundidad - 16,5 in
 Ancho del MTJ - 22,4 in
 Profundidad del MTJ - 6,5 in
 Tamaño de la ranura/agujero del MTJ - 0,56 in

CH4

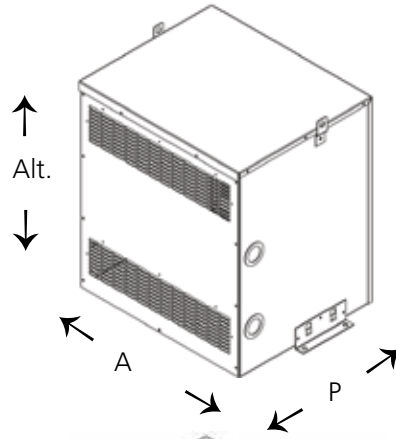
CRECH4



Altura - 25,9 in
 Ancho - 26,1 in
 Profundidad - 20,5 in
 Ancho del MTJ - 25 in
 Profundidad del MTJ - 6,5 in
 Tamaño de la ranura/agujero del MTJ - 0,56 in

CH5

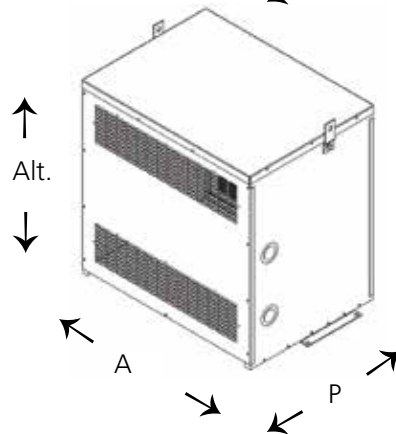
CRECH5



Altura - 28,9 in
 Ancho - 28,1 in
 Profundidad - 21,3 in
 Ancho del MTJ - 27 in
 Profundidad del MTJ - 6,5 in
 Tamaño de la ranura/agujero del MTJ - 0,56 in

CH6

CRECH6

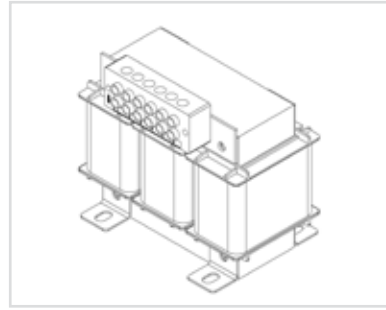
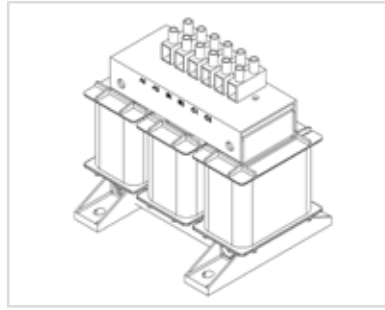


Altura - 31,2 in
 Ancho - 33,5 in
 Profundidad - 23 in
 Ancho del MTJ - 32,5 in
 Profundidad del MTJ - 9 in
 Tamaño de la ranura/agujero del MTJ - 0,56 in

Terminación

Estilo núm. 1, 2, 3

Uso del bloque del terminal apropiado



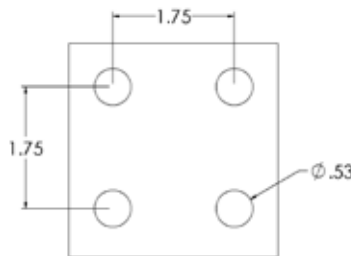
Estilo	Terminal	Amperios	Apropiado para	Torque de ajuste máximo
1	Bloque del terminal	≤ 9	18-14 AWG	20 in/lb
2	Bloque del terminal	> 9 y ≤ 27	13-10 AWG	20 in/lb
3	Bloque del terminal	> 27 y ≤ 64	4-14 AWG	20 in/lb

Estilo núm. 4, 5, 6



Estilo	Terminal	Amperios	Apropiado para	Torque de ajuste máximo
4	Cojín terminal	> 64 y ≤ 110	Accesorio de 1/4 in	10 ft/lb
5	Cojín terminal	> 110 y ≤ 472	Accesorio de 3/8 in	28 ft/lb
6	Cojín terminal	> 472 y ≤ 840	Accesorio de 1/2 in	70 ft/lb

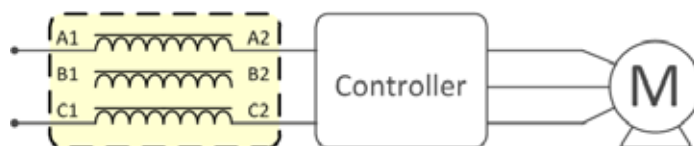
Estilo núm. 7



Estilo	Terminal	Amperios	Apropiado para	Torque de ajuste máximo
7	Cojín terminal	> 840 y < 1200	4 accesorios de 1/2 in	70 ft/lb

Diagramas de conexión

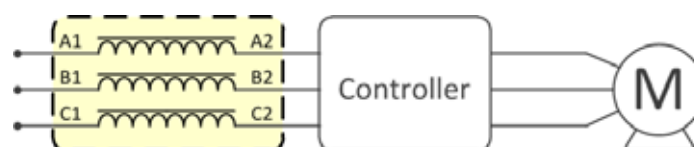
UNA SOLA FASE (reducción según la tabla de selección)



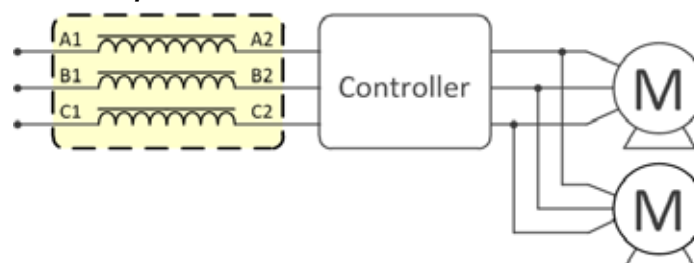
TRES FASES

LADO DE ENTRADA

(a) motor único

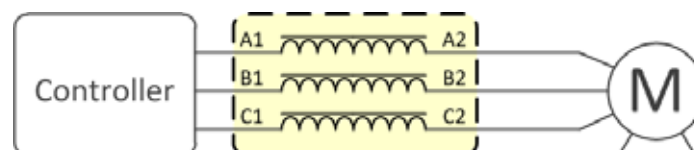


(b) motores múltiples

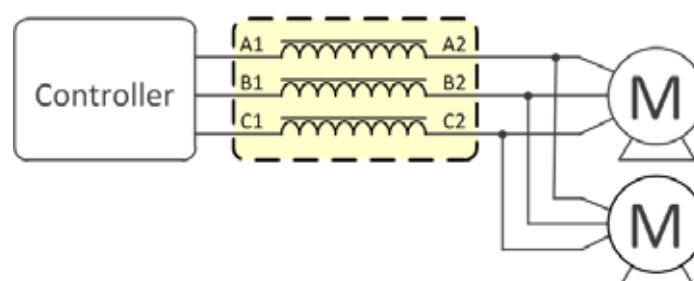


LADO DE SALIDA

(a) motor único



(b) motores múltiples



Secado



PELIGRO

PELIGRO DE DESCARGA ELÉCTRICA, EXPLOSIÓN O ARCO ELÉCTRICO

El incumplimiento de estos procedimientos de secado podrá causar la muerte o lesiones corporales graves o daños materiales considerables.

Si un reactor ha estado expuesto a humedad, como condensación o lluvia, o es almacenado en un ambiente de alta humedad, el reactor debe secarse antes de la energización. Si el reactor ha sido expuesto accidentalmente a una humedad excesiva, retire inmediatamente el reactor de servicio. Realice las pruebas de Megger (Prueba de resistencia de aislamiento) en intervalos para indicar que se observa un cambio con el contenido de la humedad en el aislamiento. Luego proceda con los siguientes métodos de secado:

1. La humedad superficial debe eliminarse o quitarse de cualquier superficie del reactor para reducir el tiempo del período de secado.
2. Aire calentado externo forzado de manera directa, o calor radiante, a través de los devanados con todas las aberturas de ventilación despejadas. La temperatura recomendada no debe superar los 105 °C (221 °F). Continúe con este procedimiento por un mínimo de 24 horas o hasta que todas las pruebas de humedad o condensación ya no sean visibles.
3. NO DEBE permitirse el secado con el calentamiento interno.

Se hace hincapié en que solo el personal específicamente calificado debe realizar este trabajo.

Es posible que los reactores que han sido expuestos a condiciones de inundación, lluvia directa o rociadores no se sequen de manera adecuada. Consulte al fabricante para obtener más instrucciones.

Ubicación



PRECAUCIÓN

El incumplimiento de las instrucciones de localización puede ocasionar lesiones o daños materiales.

Normalmente los reactores están diseñados para ser instalados en interiores, en lugares secos. Estos funcionarán con éxito en el rango de humedad recomendado. Es necesario tomar precauciones para mantenerlos secos si están desenergizados durante períodos de tiempo más largos. Consulte las instrucciones de secado. Los reactores referidos en esta guía están diseñados para operar a altitudes no superiores a 1000 m (3300 ft) a menos que los reactores hayan sido diseñados específicamente para una altitud mayor.

Consideraciones ambientales:

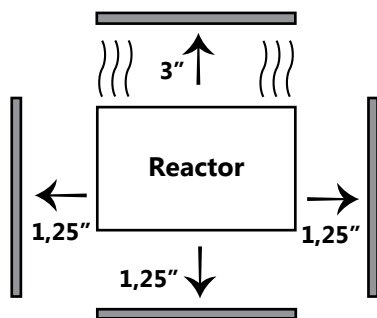
Los reactores no deben estar ubicados en ambientes que contienen contaminantes como el polvo, fertilizantes, exceso de humedad, productos químicos, gases corrosivos, aceites o vapores químicos. Deben evitarse las ubicaciones en las que el goteo de agua esté presente. Si esto no es posible, debe proporcionarse una protección adecuada para evitar que el agua entre en la carcasa del reactor.

Los reactores no deben instalarse en áreas accesibles al público, a menos que hayan sido diseñados especialmente para esta aplicación.

Se requieren carcasas resistentes al clima y a prueba de manipulaciones adecuadas en las ubicaciones en donde los reactores pueden estar expuestos a vapor de agua, nieve, polvo y partículas de arena. Consulte al fabricante del reactor para obtener más información.

Los reactores deben ubicarse por lo menos a 1,25 pulgadas de distancia de paredes, obstrucciones, equipos adyacentes u otras superficies reflectantes del lado de la ventilación a menos que se indique lo contrario en la placa de identificación. Los reactores no deben ubicarse cerca de otras fuentes de calor u obstrucciones que puedan afectar su ventilación y aumentar la temperatura ambiente.

El aire dirigido en la sala cerca del reactor puede perturbar el flujo natural de aire para la refrigeración a través del bobinado.



Una ventilación adecuada es esencial para la correcta refrigeración de los reactores. Se desea aire limpio, fresco y seco. Si la ubicación tiene una cantidad de contaminantes transportados por el aire inusualmente alta, es posible que se requieran filtros opcionales. Si los reactores están instalados en bóvedas u otros lugares con flujo de aire restringido, debe proporcionarse ventilación suficiente para mantener temperaturas del aire indicadas. Los límites se especifican en las normas CSA y ANSI.

El área de las aberturas de ventilación necesaria depende de la altura de la bóveda o sala del reactor y la ubicación de las aberturas de ventilación del reactor.

Esto es necesario para proporcionar suficiente circulación de aire libre a través y alrededor del reactor. Esto también permitirá un fácil acceso para realizar mantenimiento.

Si el reactor se ubicará cerca de materiales combustibles, debe mantenerse la distancia de espacio mínima **establecida por el Código de fuego eléctrico local.**

Niveles de sonido

El sonido audible producido por los reactores se debe a la energización del núcleo por la tensión alterna aplicada a los devanados. Esto crea vibraciones cuya frecuencia fundamental es dos veces la frecuencia de la tensión aplicada. Las vibraciones que producen sonido audible pueden ocurrir en el ensamblaje del núcleo y en el gabinete. La transmisión de sonido desde el reactor puede ocurrir por diversos medios, tales como el aire, metal, concreto, madera o cualquier combinación. La amplificación del sonido audible puede ocurrir en un área determinada debido a la presencia de superficies reflectantes o superficies de ensamblaje.

Estos niveles de ruido se determinan por las normas CSA y ANSI/IEEE y se basan en lo siguiente:

- **Los niveles de ruido indicados aplican a una condición sin carga a tensión y frecuencia nominales**
- **Los transformadores son examinados en un ambiente de bajos niveles de ruido ambiente**

Cabe señalar, por lo tanto, que los reactores que se encuentren en funcionamiento, cuando estén conectados a una carga, exhibirán niveles de ruido superiores a los estándares mencionados. Asimismo, los reactores se instalan con frecuencia en salas eléctricas más reducidas, lo que tendrá el efecto de aumentar el nivel de ruido aparente debido a la resonancia del sonido. Los reactores exhibirán niveles de ruido más altos que los normales si se instalan en suelos suspendidos que pueden resonar. Es una buena práctica para instalar unidades de alimentación en el nivel de la planta baja o sótano para evitar los suelos suspendidos y alejados de viviendas u oficinas. También se recomienda el uso de amortiguadores de vibraciones o amortiguadores de muelle para atenuar los niveles de ruido si la vibración está afectando otras partes del edificio.

Los reactores instalados en estrecha proximidad entre sí pueden experimentar una frecuencia de resonancia entre ellos, lo que provocará niveles de ruido superiores a los normales.

Si los niveles de ruido son un factor importante en la ubicación de cualquier reactor, se debe dar consideración especial al sitio de instalación y a la atenuación (accesorios que se utilicen). También podría considerarse la interrupción del medio de transmisión de sonido mediante la instalación de material de absorción de sonido de espuma o fibra de vidrio en el techo o paredes.

Pruebas de campo



PRECAUCIÓN

El incumplimiento de los procedimientos de prueba de campo podría resultar en lesiones personales menores o mayores, o daños en el equipo.

Se recomienda que se realicen pruebas de campo e inspección separadas antes de poner un reactor en servicio para determinar si está en condiciones de operación satisfactorias y obtener datos para futuras comparaciones. Recomendamos que siga el procedimiento de prueba de las normas ANSI/IEEE como mínimo.

continúa en la página siguiente

Continuación de las Pruebas de campo

En donde se lleven a cabo pruebas de tensión aplicada de baja frecuencia y de resistencia de aislamiento (pruebas Megger), las tensiones de prueba no podrán exceder el 75 % de los valores de las pruebas de fábrica. Cuando las pruebas de campo se realizan de manera periódica, se recomienda que las tensiones de prueba se limiten al 65 % de los valores de prueba de fábrica. Desconecte los protectores de sobretensiones si se suministran. Se insiste en que las pruebas deben ser realizadas por personal cualificado y competente en conformidad con las normas y códigos de seguridad reconocidos, en particular la norma NFPA 70E o CSA Z462.

1. Si el reactor se ha apagado por un período de tiempo, primero debe inspeccionarse visualmente en busca de evidencia de condensación, humedad o polvo. Se debe limpiar y secar como se describe anteriormente antes de volver a energizarlo.
2. Verifique el ajuste y la limpieza de todas las conexiones eléctricas y las conexiones de fase.

Fig. núm.	Terminal	Amperios	Apropiado para	Torque de ajuste máximo
1	Bloque del terminal	<=9 >10 y <=27 >27	18-14 AWG 13-10 AWG 14-4 AWG	20 in/lb
2	Bloque del terminal	<65	14-4 AWG	20 in/lb
3	Cojin terminal	<=110 >110	Accesorio de 1/4 in Accesorio de 3/8 in	10 ft/lb 28 ft/lb
4	Cojin terminal	<=472 >472	Accesorio de 3/8 in Accesorio de 1/2 in	28 ft/lb 70 ft/lb
5	Cojin terminal	<=840 >840 y <1200	Accesorio de 1/2 in 4 accesorios de 1/2 in	70 ft/lb 70 ft/lb

3. Debe realizarse una prueba Megger (prueba de resistencia de aislamiento) en cada reactor para determinar la integridad del aislamiento. Una prueba de resistencia de aislamiento es de importancia para fines comparativos futuros y para determinar la idoneidad del reactor para una prueba de alto potencial. Esta prueba debe completarse antes de la prueba de potencial aplicado (Hi-Pot).

Los factores variables que afectan a la construcción y el uso de los reactores de tipo seco hacen que sea difícil establecer límites para la resistencia de aislamiento. La experiencia hasta la fecha indica que 2 megaohmios, (lectura de un minuto a aproximadamente 25 °C) cada 1000 voltios de tensión nominal en la placa de identificación, pero en ningún caso menos de un total de 2 megaohmios, puede ser un valor satisfactorio para la resistencia de aislamiento.

Prueba de aislamiento Megger (500 V o 1000 V de CC).
Las pruebas se realizan entre:

- Devanado + Conexión a tierra
- Devanado + Conexión a tierra
- Núcleo a tierra (si el núcleo está aislado)

Nota: Si se aísla el núcleo del reactor, la correa de conexión a tierra del núcleo entre el núcleo y la conexión a tierra debe desconectarse antes de tomar la medición desde el núcleo a tierra.

4. Mediciones de resistencia de bobinas.
5. Asegúrese de que se mantengan las distancias mínimas según las normas para todas las partes conductoras de corriente, incluso las conexiones y las barras colectoras. La siguiente tabla puede utilizarse como guía para la distancia mínima.

Mantenimiento



PELIGRO

El incumplimiento del procedimiento de desenergizar y conectar a tierra el reactor antes de abrir el gabinete o trabajar en el reactor puede ocasionar lesiones personales graves o la muerte.

El reactor debe estar desenergizado antes de cualquier mantenimiento. También se recomienda que todas las terminales estén conectadas a tierra y que se incluya un procedimiento de bloqueo/etiquetado.

Inspección periódica y mantenimiento:

Generalmente, se requiere muy poco mantenimiento para los reactores. Sin embargo, se requiere un cuidado e inspección periódicos para garantizar a largo plazo un funcionamiento exitoso. La frecuencia de la inspección dependerá de las condiciones en las que está instalado el reactor.

Para lugares limpios y secos, normalmente una inspección anual es suficiente. Para otros lugares donde el aire está contaminado con polvo o vapores químicos, es posible que se requiera una inspección en intervalos de tres o seis meses.

Con el reactor desenergizado, retire los paneles de acceso en el gabinete y conecte a tierra los terminales. Inspeccione si hay suciedad particularmente en superficies aislantes o cualquier superficie que tiende a restringir el flujo de aire. Se debe inspeccionar aisladores, terminales y tableros de terminales en busca de descargas (seguimiento), roturas, grietas o quemaduras y tensión de las piezas. Es necesario limpiar estas piezas para evitar descargas eléctricas debido a la acumulación del contaminante.

Se debe revisar evidencia de oxidación, corrosión y deterioro de la pintura y realizar acciones correctoras en caso necesario. También deben inspeccionarse los motores de los ventiladores y otros dispositivos auxiliares.

Limpieza



PELIGRO

El incumplimiento del procedimiento de desenergizar y conectar a tierra el reactor antes de abrir el gabinete o trabajar en el reactor puede ocasionar lesiones personales graves o la muerte.

Si la acumulación excesiva de suciedad es evidente en los devanados del reactor o aisladores, la suciedad debe removerse para permitir la circulación de aire. Particular atención debe prestarse a la limpieza de los extremos superior e inferior de los ensamblajes de devanado.

Las bobinas pueden limpiarse con una aspiradora, soplador o con aire comprimido. Se prefiere una aspiradora como primer paso, seguido del uso de aire comprimido. El aire comprimido debe estar limpio y seco y se debe aplicar a una presión relativamente baja (no más de 25 libras por pulgada cuadrada). Conectores, soportes de conectores, bobinas de soporte, tableros de terminales, bujes y otras superficies aislantes principales deben cepillarse o limpiarse con un paño seco. No se recomienda el uso de limpiadores líquidos debido a los disolventes que podrían tener un efecto perjudicial sobre los materiales aislantes.

Servicio de campo



PELIGRO

El incumplimiento del procedimiento de desenergizar y conectar a tierra el reactor antes de abrir el gabinete o trabajar en el reactor puede ocasionar lesiones personales graves o la muerte.

La instalación, manipulación, reparación y mantenimiento del equipo eléctrico debe estar a cargo solo de personal calificado.

La siguiente está diseñada como guía de solución de problemas para ayudar a determinar las medidas correctivas para reactores en el campo. Se insiste en que se debe permitir únicamente a personal especializado examinar los reactores instalados. Los reactores deben estar desenergizados antes de llevar a cabo cualquier trabajo en un reactor. También se recomienda que todos los terminales estén conectados a tierra.

1. Sobrecorriente

Los reactores cargados completamente pueden parecer calientes al tacto. Las normas permiten que la temperatura de la cubierta de la carcasa del reactor sea de 65 °C (149 °F) y se eleve sobre la temperatura ambiente de 50 °C (104 °F) o un máximo de 105 °C (212 °F). En un lugar que no es fácilmente accesible, las normas permiten que la temperatura de la cubierta de la carcasa del reactor sea de 80 °C (176 °F) y se eleve sobre la temperatura ambiente a 50 °C (104 °F) ambiente que podría ser continua en 20 °C (248 °F). En esta condición, la temperatura en un termómetro podría ser de hasta 220 °C (428 °F).

- sobrecargas continuas durante períodos de tiempo largos
- conexiones externas equivocadas
- tensión de entrada o corriente excesivas
- armónicos de tensión o corriente
- mala ventilación de la sala o calentamiento de otras fuentes
- temperaturas ambiente elevadas [las normas permiten un promedio de 30 °C (86 °F), un máximo de 40 °C (104 °F)]
- obstrucción de los conductos de aire o aberturas de ventilación
- acumulación de suciedad y polvo que restringe la circulación de aire

2. Ruido y vibraciones

Los niveles de ruido para los reactores pueden variar entre 60 dB(A) para un valor de 500 kVA y 76 dB(A) para un valor de 10 000 kVA. Estos niveles de ruido están determinados por las normas nacionales y se basan en lo siguiente:

- los valores aplican a una condición sin carga
- están probados en un entorno de ruido ambiente bajo
- las paredes o superficies reflectantes se encuentran al menos a 10 ft [3 m] de distancia de todos los lados del transformador

continúa en la página siguiente

Servicio de campo (*continuación*)

Los reactores que se instalan en salas eléctricas más reducidas, cuando están conectados a la carga, exhibirán niveles de ruido más altos (que los normales). El ruido excesivo puede ser causado por:

- alta tensión de entrada
- alta frecuencia
- cargas desequilibradas
- corriente de carga excesiva
- armónicos de tensión y corriente de cargas no lineales
- abrazaderas centrales flojas
- hardware o gabinetes aflojados debido al envío o la manipulación
- almohadillas antivibración no instaladas

Los reactores exhibirán niveles de ruido más altos que los normales si se instalan en suelos suspendidos que pueden resonar. Es una buena práctica instalar unidades de energía en los niveles de planta baja o sótano para evitar suelos suspendidos. Se recomiendan los amortiguadores de vibraciones o amortiguadores de muelle para atenuar los niveles de ruido. Asimismo, pueden instalarse conectores flexibles entre las barras colectoras y otros equipos para evitar la transferencia de vibraciones.

Los reactores instalados en estrecha proximidad entre sí también pueden experimentar una frecuencia de resonancia entre ellos, lo que provocará niveles de ruido superiores a los normales.

3. Tensión reducida o cero

Las conexiones flojas en los terminales o tableros de terminales del reactor, cables conductores rotos o espiras en cortocircuito son todas fuentes posibles.

4. Corriente excesiva

Puede ser causada por una corriente nominal más alta.

5. Humo desde el reactor

El humo o gases en el arranque inicial son comunes y es el resultado de los aceites y lubricantes usados en el proceso de fabricación. El humo se considera irritante y debe ser ventilado de forma temporal. No es un riesgo para la salud a largo plazo y debe disiparse después de 24 horas de carga.

6. Aislamiento quemado o falla en el aislamiento

En caso de evidencia de aislamiento quemado, verifique lo siguiente:

- condición de sobrecarga continua
- armónicos excesivos
- sobrecalentamiento debido a la ventilación
- aumento de rayos
- conmutación o perturbación de la línea
- conductores o supresores rotos
- terminales o tableros de terminales dañados
- espiras en cortocircuito o daños mecánicos
- contaminación (fallo de aislamiento)

continúa en la página siguiente

Servicio de campo (*continuación*)



PELIGRO

El incumplimiento del procedimiento de desenergizar y conectar a tierra el reactor antes de abrir el gabinete o trabajar en el reactor puede ocasionar lesiones personales graves o la muerte.

La instalación, manipulación, reparación y mantenimiento del equipo eléctrico debe estar a cargo solo de personal calificado.

Si los núcleos de los reactores muestran evidencia de sobrecalentamiento y alteración de color, es posible que el aislamiento cerca del núcleo también parezca decolorado. Temperaturas muy altas del núcleo son causadas por:

- corriente alta
- saturación del núcleo debido a armónicos de corriente.

7. Alta corriente de excitación

Puede ser causada por:

- espiras en cortocircuito
- brechas en el núcleo debido a las desplazamientos durante el transporte o la manipulación.

8. Puesta a tierra del núcleo

Consulte la norma NFPA 70 (Código eléctrico nacional) con respecto a las resistencias y los reactores.

9. Distorsión de la bobina

Las bobinas cortocircuitadas exhiben una fuerte distorsión de su redondez normal o apariencia simétrica.

10. Apertura de interruptores y fusibles

Las aperturas de los interruptores y fusibles pueden ser causadas por:

- condiciones de sobrecarga
- armónicos de tensión o corriente
- cortocircuito
- fallo de aislamiento que hace que la corriente sea excesiva
- configuración demasiado baja para permitir la irrupción de corriente

11. Calentamiento excesivo de cableado

Las causas incluyen:

- conexiones atornilladas o dobladas de manera incorrecta
- conectores sueltos
- cables o terminales sueltos
- cables o terminales de tamaño incorrecto
- condición de sobrecarga

12. Humedad

Si un reactor ha estado expuesto a la humedad como condensación o lluvia, la unidad debe ser secada antes de volver a realizar la energización. (Consulte la sección Secado). El aire caliente o calentado, el calor radiante o el calor interno deben ser dirigidos a través de los bobinados. Esto debe continuar durante 24 horas o hasta que la evidencia de la condensación ya no sea visible.

Es posible que los reactores que han sido expuestos a condiciones de inundación, lluvia directa o rociadores no se sequen de manera adecuada. Consulte al fabricante para obtener más instrucciones.

continúa en la página siguiente

Servicio de campo (*continuación*)



PELIGRO

El incumplimiento del procedimiento de desenergizar y conectar a tierra el reactor antes de abrir el gabinete o trabajar en el reactor puede ocasionar lesiones personales graves o la muerte.

La instalación, manipulación, reparación y mantenimiento del equipo eléctrico debe estar a cargo solo de personal calificado.

Si está presente alguna de las condiciones anteriores, el reactor debe ser retirado de servicio de manera inmediata. Las medidas correctivas deben tomarse en consulta con el fabricante.

Después de haber completado una evaluación, se determinará si el reactor se volverá a poner en servicio o se devolverá al fabricante para su análisis posterior.



CANADÁ

595 Southgate Drive
Guelph, Ontario N1G 3W6
Teléfono: (519) 822-2441
Fax: (519) 822-9701
Línea gratuita: 1-888-798-8882
sales@hammondpowersolutions.com

ESTADOS UNIDOS

1100 Lake Street
Baraboo, Wisconsin 53913-2866
Teléfono: (608) 356-3921
Fax: (608) 355-7623
Línea gratuita: 1-866-705-4684
sales@hammondpowersolutions.com