



HPS TRIPLEX TRANSFORMERS

HPS Triplex dry-type transformers are ideal for applications with weight and size restrictions. A Triplex transformer is created from three single-phase transformers which are banked into a three-phase assembly.

- Can be disassembled into smaller component pieces. This aids transportation and reduces construction costs and installation time.
- Can offer redundancy in some configurations, albeit at a reduced capacity, should one of the three-phase units fail.
- Offer advantages in retrofit applications with existing access restrictions.

Triplex transformers are built to HPS's exacting design and quality standards. Configurations can include:

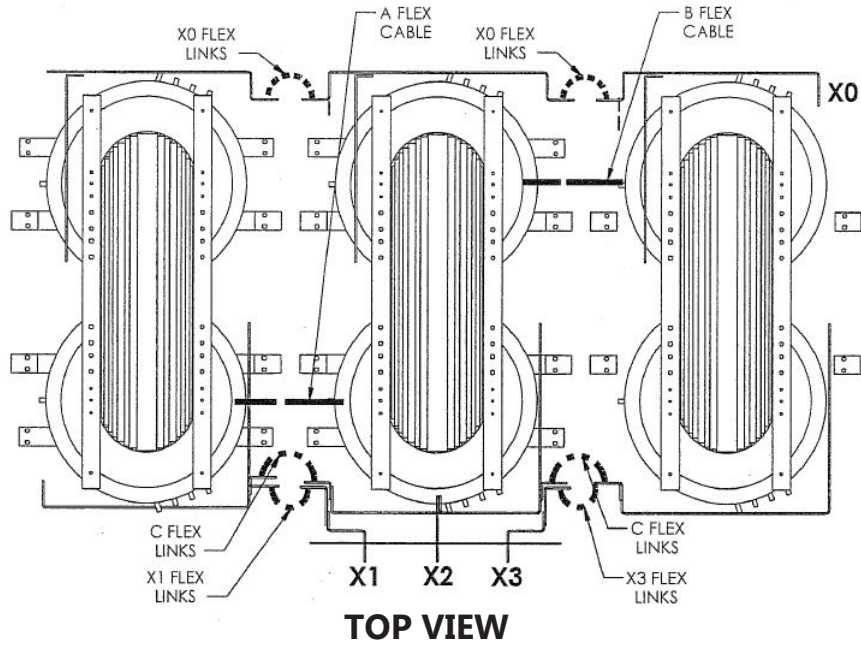
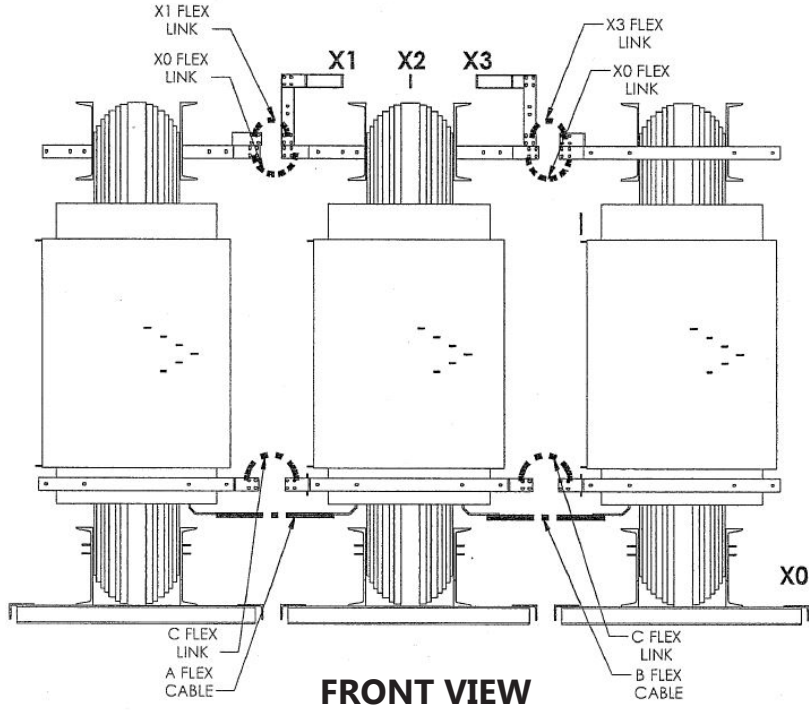
- Low and Medium Voltage
- Indoor and outdoor locations including unit substations
- HPS can use our unsurpassed knowledge in building for special applications including marine and mining
- Units can be built to current energy efficiency standards
- Units can be built in one common assembly or three separate modules. All designs can be broken down into smaller components.
- Designs are engineered, built and tested to assure tight dimensional and performance tolerances

Example:

HPS built a 34MVA medium voltage Triplex unit for an emergency power generation facility. The facility's design required installation in a downtown area above street level inside an existing commercial building that was being retrofitted as a generation facility. Space, weight and lead-time restrictions couldn't be met with oil or conventional dry-type designs. The Triplex design allowed construction of the facility to continue on budget with few expensive and time consuming building modifications.



Typical Triplex Design



TECHNICAL FLYER



Hammond
Power Solutions

CANADA
595 Southgate Drive
Guelph, Ontario
N1G 3W6
1-888-798-8882

UNITED STATES
1100 Lake Street
Baraboo, Wisconsin
53913-2866
1-866-705-4684

TFTRIPL
June 2020